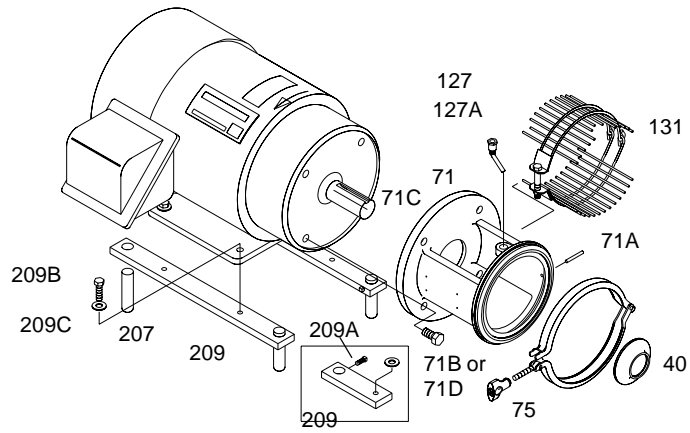
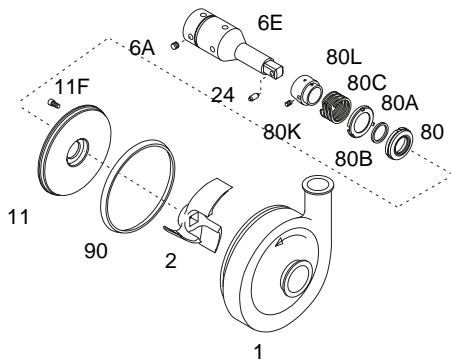


For All C Series Pumps

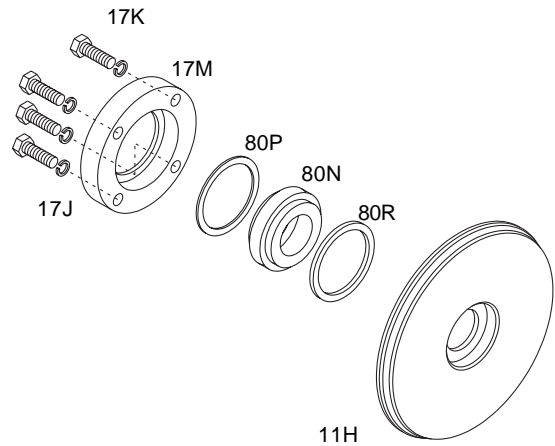


Note: Depending on type of frame, some older models C114 and 216 with type E seals require a special adapter #71C, and longer mounting screws, #71D

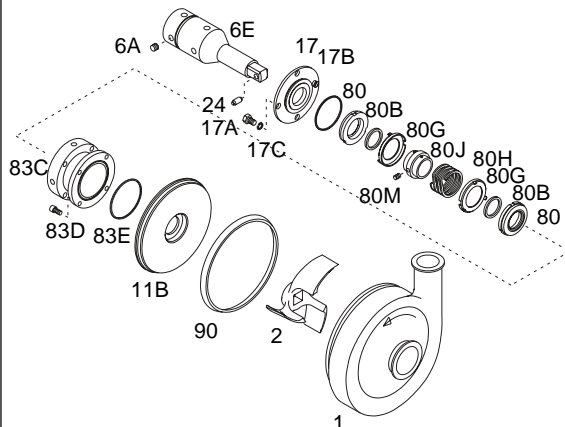
Floating Retainer with Type D or F External Balanced Seals



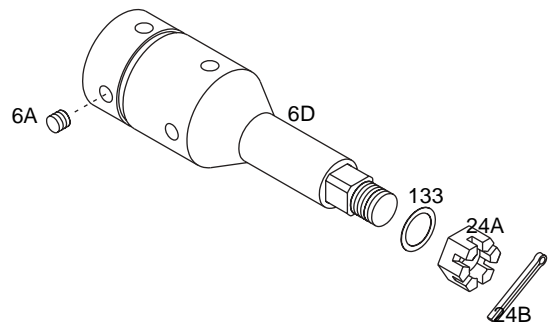
Additional Type "DG: Clamped-in Seal Seat Components (For use with type D seal)



Floating Retainer with Type E Water Cooled Balanced Double Seal



Threaded Shaft and Castellated Nut Retainer System for Use with Type D, F or E Seals



Pos.	Qty.	Description	C114	C216	C218	C328	C4410
1	1	Casing (Tri-Clamp) Sanitary	482815	483122	483755	483841	487978
1	1	Casing (Bevel Seat) Sanitary	480980	483642	483761	481779	487986
1	1	Casing (N.P.T.) Glass Beaded	481373	483689	483756	485059	487985
1	1	Casing (Tri-Clamp) Glass Beaded	482823	483627	483724	484742	480359
1	1	Casing (Bevel Seat) Glass Beaded	482826	483628	9634049552	484743	
1	1	Casing (Flanged) Glass Beaded	483024	483607	483715	484110	487983
2	1	Impeller	482810	483113	483723	483814	488031
11	1	Backplate	482891	483262	483920	483920	482143
11B	1	Backplate (E Balanced)	482268	481331	482277	482277	482286
11F	2	Backplate Pin	483263	483263	483263	483263	189972
11H	1	Backplate (DG Seat)	480274	480174	480043	480043	482144
17	1	Follower	481811	482275	481211	481211	482289
17A	4	Machine Screw	180142	189773	189773	189773	189773
17B	1	O-ring	755469	751064	751297	751297	755471
17C	4	Lockwasher (DG Seat)	N-	189962	189962	189962	189962
17J	1	Gland Ring (DG Seat)	480275	480176	480050	480050	482145
17K	4	Bolt / Screw (DG Seat)	180126	189849	180191	180191	180191
17M	4	Lockwasher	189985	189962	189962	189962	189962
24	■ 1	Impeller Retainer	482856	483441	484101	484101	480293
24A	1	Castellated Nut (Impeller)	481039	480912	480914	480914	480914
24B	1	Cotter Pin (Impeller)	480427	480427	480424	755139	755139
71A	2	Adapter Pin	483396	483396	483396	483396	488079
75	1	Clamp Assembly Complete	481488	482258	480285	480285	481624
75J	1	Eye Bolt	480005	480005	480005	480005	N-
75K	1	Wing Nut	610795	610795	610795	610795	N-
80	●○■ 1	Carbon Seal	480739	480510	480525	480525	482292
80A	● 1	Cup	482866	483601	484362	484362	402429
80B	●○■ 1	O-ring (Seal) Buna	299060	300552	480479	480479	755368
80B	●○■ 1	O-ring (Seal) EPDM	290213	300027	480226	480226	751603
80B	●○■ 1	O-ring (Seal) SFY	290161	300064	480656	480656	751029
80C	● 1	Spring	482867	483602	484363	484363	402430
80G	○ 2	Cup (E Balanced)	481327	481333	481209	481209	482291
80H	○ 1	Spring (E Balanced)	481324	481334	481210	481210	482294
80J	1	Drive Collar (E Balanced)	481270	481271	481212	481212	482290
80K	1	Set Screw (E Balanced)	189838	189819	189819	189819	189819
80L	1	Drive Collar	480988	481628	480864	480864	180662
80M	2	Set Screw	189815	189840	189840	189840	189840
80N	■ 1	Type DG Seal Seat TC	480470	480477	480466	480466	480509
80N	■ 1	Type DG Seal Seat Ceramic	480351	480111	480238	480238	480242
80N	■ 1	Type DG Seal Seat SC	481518	481519	481470	481470	482146
80P	■ 1	Gasket Outboard PTFE	481520	481521	481522	481522	482147
80R	■ 1	Gasket Inboard PTFE	482807	482808	482809	482809	482811
83C	1	Stuffing Box (E Balanced)	481844	482276	482280	482280	482285
83D	1	Machine Screw	180419	180142	180705	180705	180705
83E	1	O-ring Buna	751064	755489	755528	755528	755528
83E	1	O-ring EPDM	751538	750081	750575	750575	750575
83E	1	O-Ring FPM SFY	751305	750740	751306	751306	751306
90	●○■ 1	Casing Gasket Buna	482737	483195	484083	484083	488389
90	●○■ 1	Casing Gasket EPDM	480109	480096	480232	480232	480729
90	●○■ 1	Casing Gasket SFY	480633	480201	480575	480575	480861
127	1	Water Cascade Assembly	483079	483611	484368	484368	484368
127A	1	Locknut	483078	483078	483078	483078	483078
133A	1	Washer (Impeller).005	481240	481243	481246	481246	481246
133B	1	Washer (Impeller).010	481241	481244	481247	481247	481247

- included in D Balanced Service Kits
- included in E Balanced Service Kits
- included in DG Service Kits

	C114	C216	C218/C328	C4410
● Buna	9613990013	9613990016	9613990019	9613990022
● EPDM	9613990014	9613990017	9613990020	9613990023
● SFY	9613990015	9613990018	9613990021	9613990024
○ Buna	9613990001	9613990004	9613990007	9613990010
○ EPDM	9613990002	9613990005	9613990008	9613990011
○ SFY	9613990003	9613990006	9613990009	9613990012
■ Buna SC stat.	482207	482208	482211	9613990474
■ EPDM SC stat.	9613990454	9613990461	9634600055	9613990475
■ SFY SC stat.	482212	482214	482215	9613990476
■ Buna CER stat.	9613990455	9613990462	9613990468	9613990477
■ EPDM CER stat.	9613990456	9613990463	9613990469	9613990478
■ SFY CER stat.	9613990457	9613990464	9613990470	9613990479
■ Buna TC stat.	9613990458	9613990465	9613990471	9613990480
■ EPDM TC stat.	9613990459	9613990466	9613990472	9613990481
■ SFY TC stat.	9613990460	9613990467	9613990473	9613990482

Model C114 Replacement Parts

Pos.	Qty.	Description	56C NEMA Frame	180TC NEMA Frame	140TC NEMA Frame
6A	2	Set Screw (shaft)	189775	180215	180215
6D	1	Shaft-Threaded	482480	482478	482476
6E	1	Shaft-Standard	482479	482477	482475
40	1	Deflector	480170	482853	480170
71	1	Adapter	482296	482295	482296
71B	4	Adapter Mounting Screw	189741	189888	189846
131	1	Seal Guard Assembly	482614	482093	482614
207	4	Adjustable Leg	483075	483075	483075
209	2	Adjustable Leg Bracket	480536	480325	483052
209A	4	Set Screw (Square Head)	180260	180259	180260
209B	4	Bracket Mounting Screw	180701	189846	180701
209C	4	Washer	180037	180070	180037

Model 216 Replacement Parts

Pos.	Qty.	Description	56CNEMA	180TCNEMA	210TCNEMA	250TCNEMA	140TCNEMA
6A	2	Set Screw (shaft)	189815	180215	180222	180222	180222
6D	1	Shaft-Threaded	480958	480930	482552	482553	482553
6E	1	Shaft-Standard	481497	481430	481338	481339	481332
40	1	Deflector	483385	483385	483573	484280	483385
71	1	Adapter	480033	480034	482623	482621	480033
71B	4	Adapter Mounting Screw	189846	189888	189888	189888	189846
131	1	Seal Guard Assembly	481822	481816	480632	480632	481822
207	4	Adjustable Leg	483075	483075	483075	483626	483075
209	2	Adjustable Leg Bracket	480536	480325	480328	480338	483052
209A	4	Set Screw (Square Head)	180260	180259	180259	180259	180260
209B	4	Bracket Mounting Screw	180701	189741	189741	180148	180701
209C	4	Washer	180037	180070	180070	180070	180037

Model C218 and C328 Replacement Parts

Pos.	Qty.	Description	NEMA Model					
			180TC	210TC	250TC	280TC	140TC	320TC
6A	2	Set Screw (shaft)	180228	180228	180228	180228	180228	180228
6D	1	Shaft-Threaded	480974	480984	480993	480999	480965	482482
6E	1	Shaft-Standard	481431	481498	481499	481500	481537	482481
40	1	Deflector	483990	484280	484280	484282	483990	480100
71	1	Adapter	484020	484075	484186	484349	483901	482297
71B	4	Adapter Mounting Screw	189888	189888	189888	189888	189846	189822
131	1	Seal Guard Assembly	481826	481828	481830	481832	481824	481832
207	4	Adjustable Leg	483075	483075	483626	483626	483075	N
209	2	Adjustable Leg Bracket	480325	480328	480338	480355	483052	Ñ
209A	4	Set Screw (Square Head) ..	180259	180259	180259	180259	180259	180259
209B	4	Bracket Mounting Screw	189741	189741	180148	180148	180701	Ñ
209C	4	Washer	180070	180070	189952	180070	180037	Ñ

Model C4410 Replacement Parts

Pos.	Qty.	Description	NEMA Models				
			210TC	250TC	280TSC	320TSC	360TSC
6A	2	Set Screw (shaft)	180739	180739	180739	180739	180739
6D	1	Shaft-Threaded	482175	482142	482139	482132	
6E	1	Shaft-Standard	482171	540259	482134	482128	540258
40	1	Deflector	482453	482453	482453	482353	482353
71	1	Adapter	484283	484283	482372	482355	482355
71B	4	Adapter Mounting Screw	189792	189792	189792	189797	189797
131	1	Seal Guard Assembly	480507	480507	480531	480559	480559