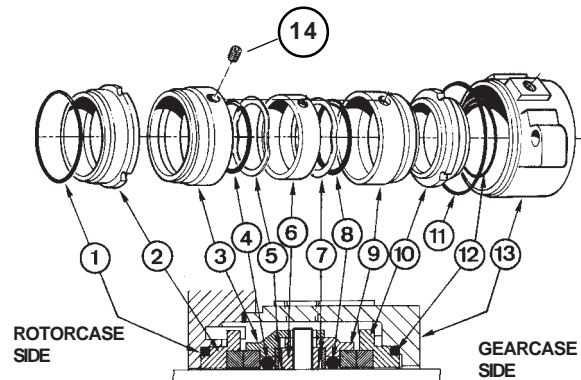


R90 Double Mechanical Seals (Parts)

Item	Description
1	Stationary seal ring o-ring
2	Stationary seal ring
3	Rotary seal ring
4	Rotary seal ring o-ring
5	Wave spring
5A	Washer (not shown)
6	Drive ring
7	Wave spring
7A	Washer (not shown)
8	Rotary seal ring o-ring
9	Rotary seal ring
10	Stationary seal ring
11	Gasket
12	Stationary seal ring o-ring
13	Seal housing
14	Grub screw



SRU1-2 Pump Models

Dwg Item No.	Description	Material	Qty	SRU1		SRU2	
				Part No.	Item No.	Part No.	Item No.
1 / 12	Stationary Seal Ring 'O'ring	NBR	2 / 2	5380.214	5380-214	5380.222	8831550127
		EPDM	2 / 2	5380.218	5380-218	5380.226	5380-226
		FPM	2 / 2	5380.216	5380-216	5380.224	5380-224
		PTFE	2 / 2	5380.220	5380-220	5380.228	5380-228
2 / 10	Stationary Seal Ring (inboard or outboard position)	Solid Carbon	2 / 2	R5630.066	R5630-066	R5630.067	R5630-067
		Inserted Carbon	2 / 2	R5630.060	R5630-060	R5630.061	R5630-061
		Tungsten Carbide	2 / 2	R5630.072	R5630-072	R5630.073	R5630-073
		Silicon Carbide	2 / 2	R5630.078	R5630-078	R5630.079	R5630-079
3	Rotary Seal Assembly (inboard)	Stainless steel	2	R7400.121	R7400-121	R5610.080	R5610-080
		Tungsten Carbide	2	R7400.131	R7400-131	R5610.086	R5610-086
		Silicon Carbide	2	R7400.181	R7400-181	R5610.092	R5610-092
4 / 8	Rotary Seal Ring 'O'ring	NBR	2 / 2	5380.213	5380-213	5380.221	5380-221
		EPDM	2 / 2	5380.217	5380-217	5380.225	5380-225
		FPM	2 / 2	5380.215	5380-215	5380.223	5380-223
		PTFE	2 / 2	5380.219	5380-219	5380.227	5380-227
9	Rotary Seal Assembly (outboard)	Stainless steel	2	R5610.079	R5610-079	R7400.122	R7400-122
		Tungsten Carbide	2	R5610.085	R5610-085	R7400.132	R7400-132
		Silicon Carbide	2	R5610.091	9630027018	R7400.182	R7400-182

Note: SRU1 pump - Rotary seal assembly (Inboard) comprises of items 3, 5, 5A, 6 and 14. Rotary seal assembly (outboard) comprises of items 7, 7A and 9.

SRU2 pump - Rotary seal assembly (Inboard) comprises of items 3, 5, 5A and 6. Rotary seal assembly (outboard) comprises of items 7, 7A, 9 and 14.

R90 Double Mechanical Seals (Parts)

SRU3-4 Pump Models

Dwg Item No.	Description	Material	Qty	SRU3		SRU4	
				Part No.	Item No.	Part No.	Item No.
1 / 12	Stationary Seal Ring 'O'ring	NBR	2 / 2	5380.230	5380-230	5380.238	5380-238
		EPDM	2 / 2	5380.234	5380-234	5380.242	5380-242
		FPM	2 / 2	5380.232	5380-232	5380.240	5380-240
		PTFE	2 / 2	5380.236	5380-236	5380.244	5380-244
2 / 10	Stationary Seal Ring (inboard or outboard position)	Solid Carbon	2 / 2	R5630.068	R5630-068	R5630.069	R5630-069
		Inserted Carbon	2 / 2	R5630.062	9630026162	R5630.063	R5630-063
		Tungsten Carbide	2 / 2	R5630.074	R5630-074	R5630.075	R5630-075
		Silicon Carbide	2 / 2	R5630.080	R5630-080	R5630.081	R5630-081
3	Rotary Seal Assembly (inboard)	Stainless steel	2	R5610.081	R5610-081	R5610.082	R5610-082
		Tungsten Carbide	2	R5610.087	R5610-087	R5610.088	R5610-088
		Silicon Carbide	2	R5610.093	9630027017	R5610.094	R5610-094
4 / 8	Rotary Seal Ring 'O'ring	NBR	2 / 2	5380.149	9630024280	5380.237	5380-237
		EPDM	2 / 2	5380.093	5380-093	5380.241	5380-241
		FPM	2 / 2	5380.101	5380-101	5380.239	5380-239
		PTFE	2 / 2	5380.123	5380-123	5380.243	5380-243
9	Rotary Seal Assembly (outboard)	Stainless steel	2	R7400.123	R7400-123	R7400.124	R7400-124
		Tungsten Carbide	2	R7400.133	R7400-133	R7400.134	R7400-134
		Silicon Carbide	2	R7400.183	R7400-183	R7400.184	R7400-184

SRU5-6 Pump Models

Dwg Item No.	Description	Material	Qty	SRU5		SRU6	
				Part No.	Item No.	Part No.	Item No.
1 / 12	Stationary Seal Ring 'O'ring	NBR	2 / 2	5380.246	5380-246	5380.254	5380-254
		EPDM	2 / 2	5380.250	5380-250	5380.258	5380-258
		FPM	2 / 2	5380.248	5380-248	5380.256	5380-256
		PTFE	2 / 2	5380.252	9630025846	5380.260	5380-260
2 / 10	Stationary Seal Ring (inboard or outboard position)	Solid Carbon	2 / 2	R5630.070	R5630-070	R5630.071	R5630-071
		Inserted Carbon	2 / 2	R5630.064	R5630-064	R5630.065	R5630-065
		Tungsten Carbide	2 / 2	R5630.076	R5630-076	R5630.077	R5630-077
		Silicon Carbide	2 / 2	R5630.082	R5630-082	R5630.083	R5630-083
3	Rotary Seal Assembly (inboard)	Stainless steel	2	R5610.083	R5610-083	R5610.084	R5610-084
		Tungsten Carbide	2	R5610.089	R5610-089	R5610.090	R5610-090
		Silicon Carbide	2	R5610.095	R5610-095	R5610.096	R5610-096
4 / 8	Rotary Seal Ring 'O'ring	NBR	2 / 2	5380.245	5380-245	5380.253	5380-253
		EPDM	2 / 2	5380.249	5380-249	5380.257	5380-257
		FPM	2 / 2	5380.247	5380-247	5380.255	5380-255
		PTFE	2 / 2	5380.251	9630026704	5380.259	5380-259
9	Rotary Seal Assembly (outboard)	Stainless steel	2	R7400.125	R7400-125	R7400.126	R7400-126
		Tungsten Carbide	2	R7400.135	R7400-135	R7400.136	R7400-136
		Silicon Carbide	2	R7400.185	R7400-185	R7400.186	R7400-186

Note: SRU3-6 pump - Rotary seal assembly (Inboard) comprises of items 3, 5, 5A and 6. Rotary seal assembly (outboard) comprises of items 7, 7A, 9 and 14.