

Hyclean Single Mechanical Seals (Complete)

SRU1 - 2 Pump Models

2 Seals per pump, it is recommended to replace both sets of seals when wear dictates seal replacement.

Seal Material Combinations		SRU1		SRU2	
Rotary Seal Ring / Stationary Seal Ring	'O' rings	Part No.	Item No.	Part No.	Item No.
Stainless Steel / Carbon	NBR	7600.101N	3149376001011	7600.102N	3149476001021
	EPDM	7600.101E	3149376001015	7600.102E	3149476001025
	FPM	7600.101V	3149376001012	7600.102V	3149476001022
Silicon Carbide / Carbon	NBR	7600.181N	3149376001811	7600.182N	3149476001821
	EPDM	7600.181E	3149376001815	7600.182E	3149476001825
	FPM	7600.181V	3149376001812	7600.182V	3149476001822
Silicon Carbide / Silicon Carbide	NBR	7600.201N	3149376002011	7600.202N	3149476002021
	EPDM	7600.201E	3149376002015	7600.202E	3149476002025
	FPM	7600.201V	3149376002012	7600.202V	3149476002022

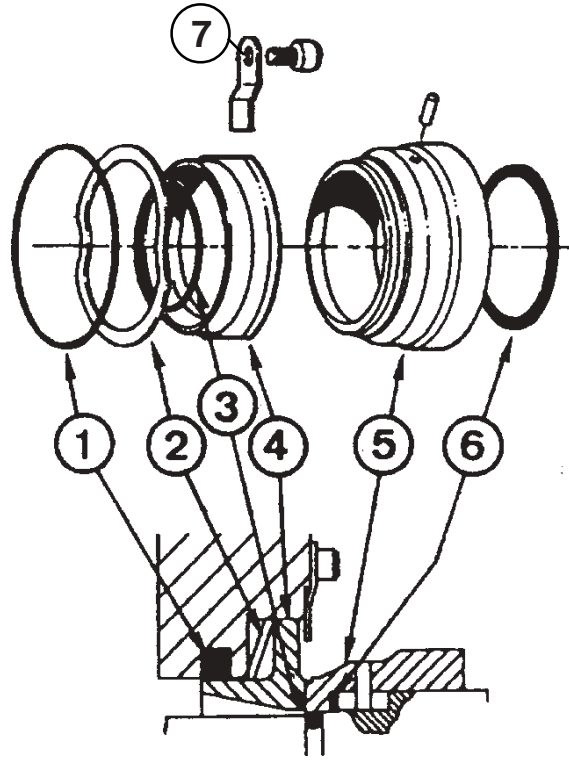
Additional parts to convert above Hyclean seals to Single flushed seals:

Description	Drawing Item No.	Qty	SRU1		SRU2	
			Part No.	Item No.	Part No.	Item No.
Flush conversion kit BSPT connections.	-	2	4010.341A	9630091231	4010.342A	9630091233
Flush conversion kit NPT connections.	-	2	4010.341B	9630091232	4010.342B	9630091234
Conversion kits comprising of :-						
Lip Seal (FPM)	9	2	5310.114	5310-114	5310.107	5310-107
Seal Housing. BSPT	8	2	5265.423A	9630054246	5265.388A	9630034722
Seal Housing. NPT	8	2	5265.423B	314935265423	5265.388B	5265-388B
O'ring (FPM)	7	2	5380.263	5380-263	1550.138	1550-138
Housing screw		4	5990.012	5990-012	5990.011	5990-011

Hyclean Single Mechanical Seals (Complete)

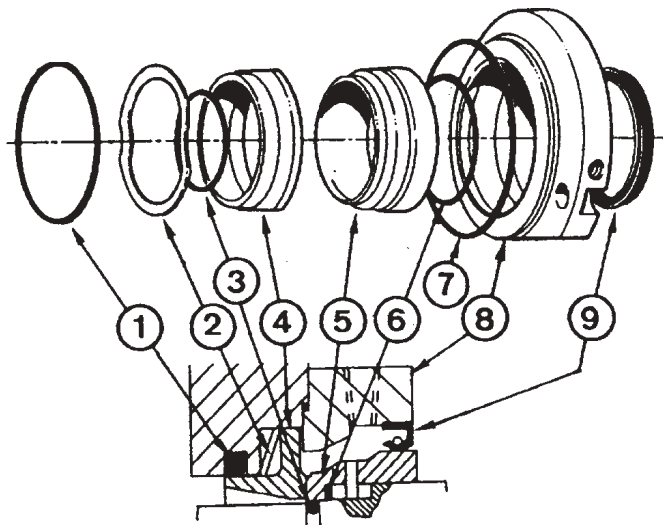
Hyclean Single Mechanical Seal

Item	Description
1	Rotorcase o-ring
2	Wave spring
3	Shaft o-ring
4	Stationary seal ring
5	Rotary seal ring
6	Washer
7	Clip



Hyclean Single Flushed Mechanical Seal

Item	Description
1	Rotorcase o-ring
2	Wave spring
3	Shaft o-ring
4	Stationary seal ring
5	Rotary seal ring
6	Washer
7	O-ring
8	Seal housing
9	Lip seal



Hyclean Single Mechanical Seals (Complete)

SRU3 - 4 Pump Models

2 Seals per pump, it is recommended to replace pairs of seals when wear dictates seal replacement.

Seal Material Combinations		SRU3		SRU4	
Rotary Seal Ring / Stationary Seal Ring	'O' rings	Part No.	Item No.	Part No.	Item No.
Stainless Steel / Carbon	NBR	7600.103N	3149576001031	7600.104N	3149676001041
	EPDM	7600.103E	3149576001035	7600.104E	3149676001045
	FPM	7600.103V	3149576001032	7600.104V	3149676001042
Silicon Carbide / Carbon	NBR	7600.183N	3149576001831	7600.184N	3149676001841
	EPDM	7600.183E	3149576001835	7600.184E	3149676001845
	FPM	7600.183V	3149576001832	7600.184V	3149676001842
Silicon Carbide / Silicon Carbide	NBR	7600.203N	3149576002031	7600.204N	3149676002041
	EPDM	7600.203E	3149576002035	7600.204E	3149676002045
	FPM	7600.203V	3149576002032	7600.204V	3149676002042

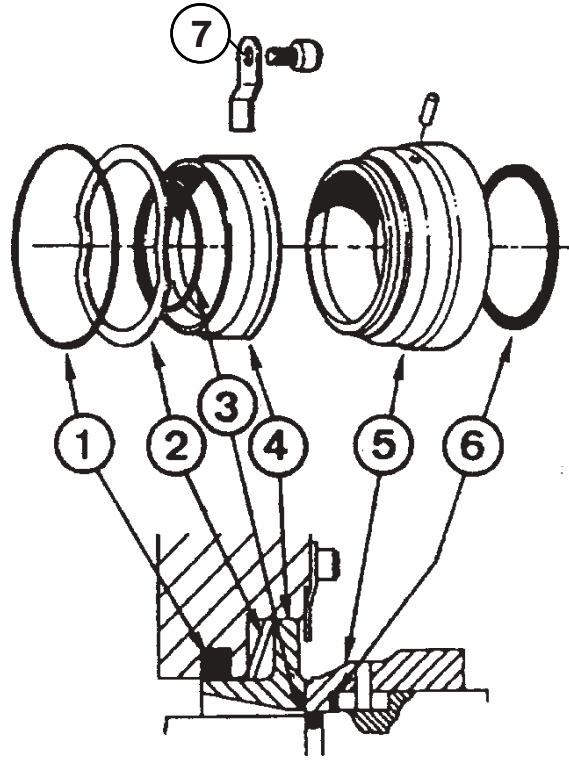
Additional parts to convert above Hyclean seals to Single flushed seals:

Description	Drawing Item No.	Qty	SRU3		SRU4	
			Part No.	Item No.	Part No.	Item No.
Flush conversion kit BSPT connections.	-	2	4010.343A	9630091235	4010.344A	9630091237
Flush conversion kit NPT connections.	-	2	4010.343B	9630091236	4010.344B	9630091238
Conversion kits comprising of :-						
Lip Seal (FPM)	9	2	5310.027	5310027	5310.109	5310109
Seal Housing. BSPT	8	2	5265.389A	9630042563	5265.390A	9630029496
Seal Housing. NPT	8	2	5265.389B	9630042326	5265.390B	9630042327
O'ring (FPM)	7	2	5380.399	5380399	5380.403	5380403
Housing screw		4	5990.066	5990066	5990.066	5990066

Hyclean Single Mechanical Seals (Complete)

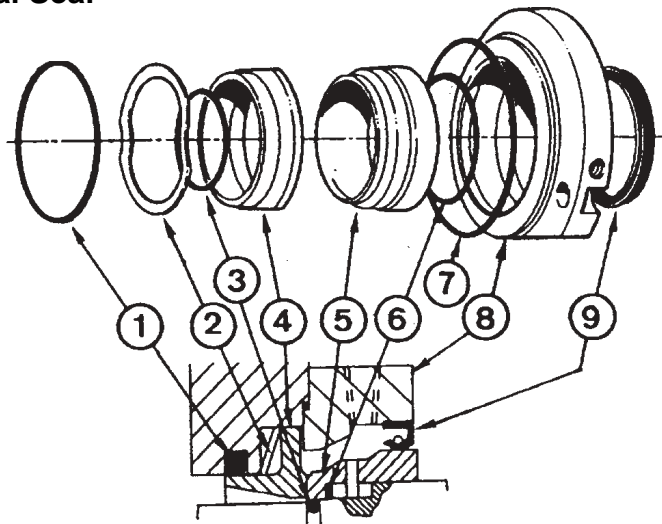
Hyclean Single Mechanical Seal

Item	Description
1	Rotorcase o-ring
2	Wave spring
3	Shaft o-ring
4	Stationary seal ring
5	Rotary seal ring
6	Washer
7	Clip



Hyclean Single Flushed Mechanical Seal

Item	Description
1	Rotorcase o-ring
2	Wave spring
3	Shaft o-ring
4	Stationary seal ring
5	Rotary seal ring
6	Washer
7	O-ring
8	Seal housing
9	Lip seal



Hyclean Single Mechanical Seals (Complete)

SRU5 - 6 Pump Models

2 Seals per pump, it is recommended to replace pairs of seals when wear dictates seal replacement.

Seal Material Combinations		SRU5		SRU6	
Rotary Seal Ring / Stationary Seal Ring	'O' rings	Part No.	Item No.	Part No.	Item No.
Stainless Steel / Carbon	NBR	7600.105N	3149776001051	7600.106N	3149876001061
	EPDM	7600.105E	3149776001055	7600.106E	3149876001065
	FPM	7600.105V	3149776001052	7600.106V	3149876001062
Silicon Carbide / Carbon	NBR	7600.185N	3149776001851	7600.186N	3149876001861
	EPDM	7600.185E	3149776001855	7600.186E	3149876001865
	FPM	7600.185V	3149776001852	7600.186V	3149876001862
Silicon Carbide / Silicon Carbide	NBR	7600.205N	3149776002051	7600.206N	3149876002061
	EPDM	7600.205E	3149776002055	7600.206E	3149876002065
	FPM	7600.205V	3149776002052	7600.206V	3149876002062

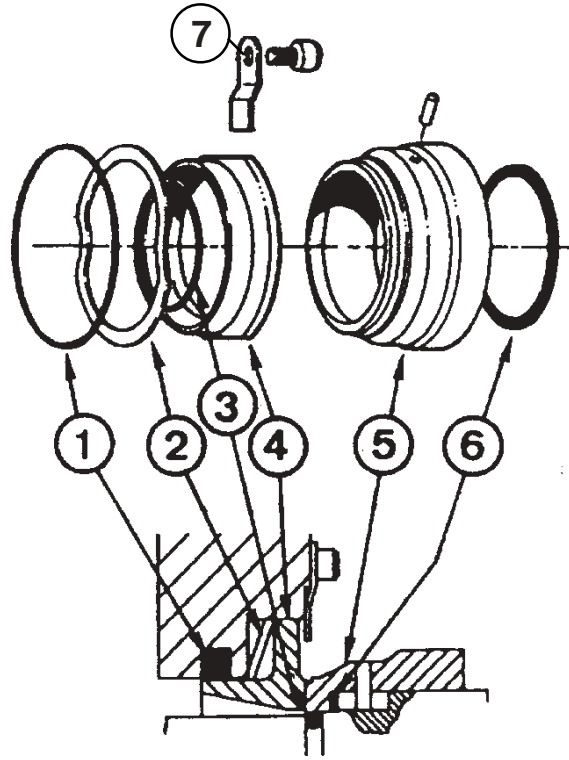
Additional parts to convert above Hyclean seals to Single flushed seals:

Description	Drawing Item No.	Qty	SRU5		SRU6	
			Part No.	Item No.	Part No.	Item No.
Flush conversion kit BSPT connections.	-	2	4010.345A	9630091239	4010.346A	9630091241
Flush conversion kit NPT connections.	-	2	4010.345B	9630091240	4010.346B	9630091242
Conversion kits comprising of :-						
Lip Seal (FPM)	9	2	5310.052	5310052	5310.068	5310068
Seal Housing. BSPT	8	2	5265.391A	9630042118	5265.411A	9630050398
Seal Housing. NPT	8	2	5265.391B	314975265391	5265.411B	314985265411
O'ring (FPM)	7	2	5380.406	5380406	5380.167	5380167
Housing screw (stud / nut / washer on SRU6)		4	5990.034	5990034	6350.105	6350-105
					5330.000	5330000
					6400.037	6500037

Hyclean Single Mechanical Seals (Complete)

Hyclean Single Mechanical Seal

Item	Description
1	Rotorcase o-ring
2	Wave spring
3	Shaft o-ring
4	Stationary seal ring
5	Rotary seal ring
6	Washer
7	Clip



Hyclean Single Flushed Mechanical Seal

Item	Description
1	Rotorcase o-ring
2	Wave spring
3	Shaft o-ring
4	Stationary seal ring
5	Rotary seal ring
6	Washer
7	O-ring
8	Seal housing
9	Lip seal

