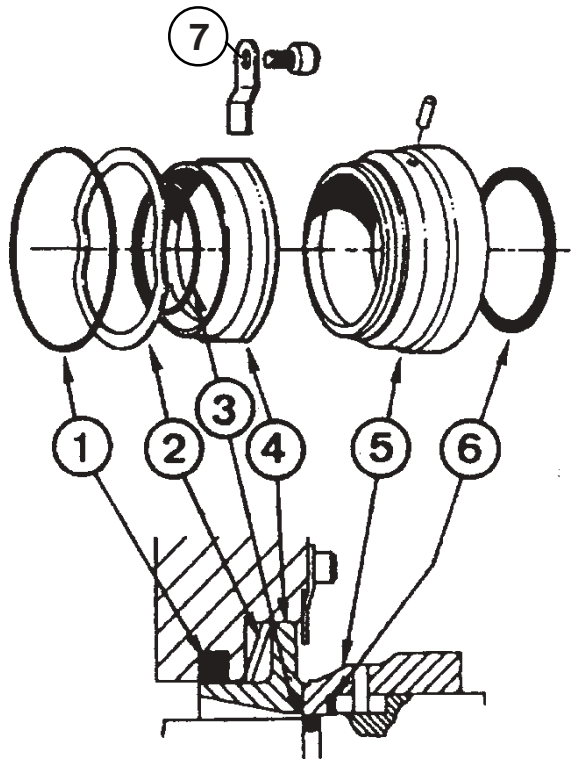


Hyclean Single Mechanical Seals (Parts)

Item	Description
1	Rotorcase o-ring
2	Wave spring
3	Shaft o-ring
4	Stationary seal ring
5	Rotary seal ring
6	Washer
7	Clip



SRU1-2 Pump Models

Dwg Item No.	Description	Material	Qty	SRU1		SRU2	
				Part No.	Item No.	Part No.	Item No.
1	Rotorcase 'O'ring	NBR EPDM FPM	2	1550.320	1550320	31494.5001.1	3149450011
				1555.320	1555320	31494.5001.5	8831555325
				1551.320	9630050801	31494.5001.2	8831551325
2	Wave spring	Stainless Steel	2	R6300.039	6300039	31494.0508.1	3149405081
3	Shaft 'O'ring	NBR EPDM FPM	2	1550.114	1550114	1550.121	8831550121
				1555.114	1555114	1555.121	1555121
				1551.114	88311551114	1551.121	8831551121
4	Stationary Seal Ring	Solid Carbon Silicon Carbide Inserted Silicon Carbide	2	R5630.092	314935630092	31494.0501.2	3149405012
				R5630.093	5630093	31494.0501.3	3149405013
				-	-	31494.0501.9	3149405019
5	Rotary Seal Ring	Stainless Steel Silicon Carbide	2	R5610.101	314935610101	31494.0506.1	3149405061
				R5610.102	5610102	31494.0506.3	3149405063
6	Washer	NBR FPM	2	6400.086	6400086	6400.069	6400069
				6400.087	6400087	6400.073	6400073
7	Clip	Stainless Steel	2	5087.054	9630050761	31494.5087.052	314945087052

Hyclean Single Mechanical Seals (Parts)

SRU3-4 Pump Models

Dwg Item No.	Description	Material	Qty	SRU3		SRU4	
				Part No.	Item No.	Part No.	Item No.
1	Rotorcase 'O'ring	NBR	2	31495.5001.1	3149550011	31496.5001.1	8831550322
		EPDM		31495.5001.5	8831555328	31496.5001.5	8831555322
		FPM		31495.5001.2	8831551328	31496.5001.2	8831551322
2	Wave spring	Stainless Steel	2	31495.0508.1	3149505081	31496.0508.1	3149605081
3	Shaft 'O'ring	NBR	2	1550.124	8831550124	1550.131	8831550131
		EPDM		1555.124	8831555124	1555.131	8831555131
		FPM		1551.124	8831551124	1551.131	8831551131
4	Stationary Seal Ring	Solid Carbon	2	31495.0501.2	3149505012	31496.0501.2	3149605012
		Silicon Carbide		31495.0501.3	3149505013	31496.0501.3	3149605013
		Inserted Silicon Carbide		31495.0501.9	3149505019	31496.0501.9	3149605019
5	Rotary Seal Ring	Stainless Steel	2	31495.0506.1	3149505061	31496.0506.1	3149605061
		Silicon Carbide		31495.0506.3	3149505063	31496.0506.3	3149605063
6	Washer	NBR	2	6400.070	6400070	6400.071	6400071
		FPM		6400.074	6400074	6400.075	6400075
7	Clip	Stainless Steel	2	31495.5087.053	314955087053	314955087053	314955087053

SRU5-6 Pump Models

Dwg Item No.	Description	Material	Qty	SRU5		SRU6	
				Part No.	Item No.	Part No.	Item No.
1	Rotorcase 'O'ring	NBR	2	31497.5001.1	3149750011	1550.339	1550339
		EPDM		31497.5001.5	8831555335	1555.339	8831555339
		FPM		31497.5001.2	8831551335	1551.339	8831551339
2	Wave spring	Stainless Steel	2	31497.0508.1	3149705081	31498.0508.1	3149805081
3	Shaft 'O'ring	NBR	2	1550.137	8831550137	5380.246	5380246
		EPDM		1555.137	8831555137	5380.250	8831555230
		FPM		1551.137	8831551137	5380.248	8831551230
4	Stationary Seal Ring	Solid Carbon	2	31497.0501.2	3149705012	31498.0501.2	3149805012
		Silicon Carbide		31497.0501.3	3149705013	-	-
		Inserted Silicon Carbide		31497.0501.9	3149705019	31498.0501.3	3149805013
5	Rotary Seal Ring	Stainless Steel	2	31497.0506.1	3149705061	31498.0506.1	3149805061
		Silicon Carbide		31497.0506.3	3149705063	31498.0506.3	3149805063
6	Washer	NBR	2	6400.072	6400072	6400.079	6400079
		FPM		6400.076	6400076	6400.080	6400080
7	Clip	Stainless Steel	2	31495.5087.053	314955087053	31495.5087.053	314955087053