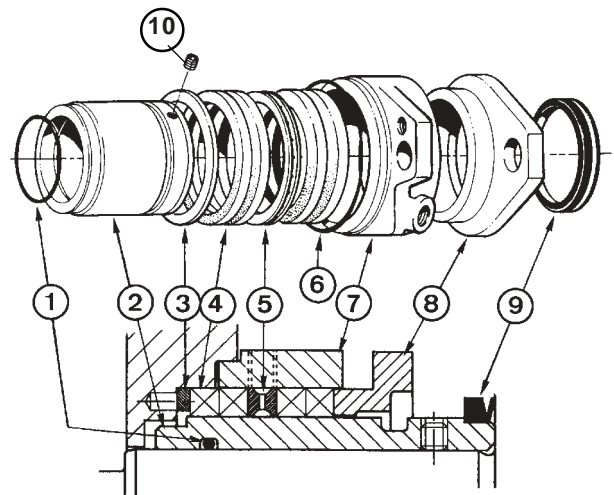


Packed Gland Seals (Parts)

All SRU pumps are fitted with 10 packing rings (i.e. 2 sets of 5) except SRU1, which has 8 packing rings (i.e. 2 sets of 4). If a lantern ring is fitted, this replaces 1 packing ring in each seal.

Item	Description
1	Shaft sleeve o-ring
2	Shaft sleeve
3	Spacer
4	Packing rings
5	Lantern ring (if fitted)
6	Gasket
7	Gland housing
8	Gland follower
9	Ring slinger
10	Screw



SRU1-2 Pump Models

Dwg Item No.	Description	Qty	SRU1		SRU2		
			Part No.	Item No.	Part No.	Item No.	
1	'O'ring shaft sleeve	2	NBR	5380.316	5380316	5380.052	5380052
			EPDM	5380.416	9630043405	5380.417	5380417
			FPM	5380.319	5380319	5380.053	5380053
			PTFE	5380.320	5380320	5380.283	5380283
2	Shaft Sleeve	2	Hardened	6200.168	6200168	6200.169	6200169
3	Spacer	2		5670.080	5670080	5670.081	5670081
4	Gland Packing	2 sets	Polyamide	5240.061	5240061	5240.062	5240062
			PTFE	5240.071	5240071	5240.072	5240072
5	Lantern ring (if fitted)	2		5650.024	5650024	5650.019	5650019
6	Gasket	2		5198.099	5198201	5198.100	5198100
7	Housing	2	Unflushed	5235.014	5235014	5235.016	5235016
			Flush BSPT	5235.014A	9630034845	5235.016A	9630031529
			Flush NPT	5335.014B	9630034846	5335.016B	9630032351
8	Gland Follower	2		5230.070	5230070	5230.053	5230053
9	Slinger	2		5665.029	5665029	5665.023	9630031784
10	Screw	2		6010.011	6010011	6010.019	9630026007
			Nut	5330.007	5330007	5330.003	5330003
			Stud	6350.115	6350115	6350.103	6350103

Packed Gland Seals (Parts)

SRU3-4 Pump Models

Dwg Item No.	Description	Qty	SRU3		SRU4		
			Part No.	Item No.	Part No.	Item No.	
1	'O'ring shaft sleeve	NBR	2	5380.021	5380-021	5380.030	5380-030
		EPDM	2	5380.415	96030043403	5380.410	5380-410
		FPM	2	5380.019	5380-019	5380.275	5380-275
		PTFE	2	5380.284	5380-284	5380.285	5380-285
2	Shaft Sleeve	Hardened	2	6200.213	6200-213	6200.171	6200-171
3	Spacer		2	5670.082	5670-082	5670.083	5670-083
4	Gland Packing	Polyamide	2 sets	5240.063	5240-063	5240.064	5240-064
		PTFE	2 sets	5240.073	5240-073	5240.074	5240-074
5	Lantern ring (if fitted)		2	5650.020	9630031640	5650.021	5650-021
6	Gasket		2	5198.101	5198-101	5198.102	5198-102
7	Housing	Unflushed	2	5235.018	5235-018	5235.020	5235-020
		Flush BSPT	2	5235.018A	9630031465	5235.020A	9630031345
		Flush NPT	2	5335.018B	9630032353	5335.020B	9630023254
8	Follower Gland		2	5230.054	5230054	5230.055	5230-080
9	Slinger		2	5665.024	5665-024	5665.025	5665-025
10	Screw		2	6010.019	9630026007	6010.019	9630026007
	Nut		4	5330.003	5330-003	5330.000	5330-000
	Stud		4	6350.103	6350-103	6350.106	6350-125

SRU5-6 Pump Models

Dwg Item No.	Description	Qty	SRU5		SRU6		
			Part No.	Item No.	Part No.	Item No.	
1	O'ring shaft sleeve	NBR	2	5380.076	5380-076	5380.136	5380-136
		EPDM	2	5380.198	5380-198	5380.134	5380-134
		FPM	2	5380.077	5380-077	5380.158	5380-158
		PTFE	2	5380.192	5380-192	5380.165	5380-165
2	Shaft Sleeve	Hardened	2	6200.172	6200-172	6200.173	6200-173
3	Spacer		2	5670.084	5670-084	5670.085	5670-085
4	Gland Packing	Polyamide	2 sets	5240.065	5240-065	5240.066	5240-066
		PTFE	2 sets	5240.075	5240-075	5240.076	5240-076
5	Lantern ring (if fitted)		2	5650.022	5650-022	5650.023	5650-023
6	Gasket		2	5198.103	5198-103	5198.104	5198-104
7	Housing	Unflushed	2	5235.022	5235-022	5235.024	5235-024
		Flush BSPT	2	5235.022A	9630031063	5235.024A	9630030936
		Flush NPT	2	5335.022B	9630032355	5335.024B	9630032356
8	Follower Gland		2	5230.056	5230-056	5230.057	5230-057
9	Slinger		2	5665.027	5665-027	5665.028	5665-028
10	Screw		2	6010.014	6010-014	6010.014	6010-014
	Nut		4	5330.000	5330-000	5330.000	5330-000
	Stud		4	6350.107	6350-107	6350.108	6350-108