

# R90 Single Mechanical Seals (Complete)

## SRU1 - 2 Pump Models

2 Seals per pump, it is recommended to replace both sets of seals when wear dictates seal replacement.

Seal Material Combinations		SRU1		SRU2	
Rotary Seal Ring / Stationary Seal Ring	'O' rings	Part No.	Item No.	Part No.	Item No.
Stainless Steel / Carbon	NBR	7400.101N	7400-101N	7400.102N	9630033227
	EPDM	7400.101E	9630026348	7400.102E	9630033228
	FPM	7400.101V	9630032577	7400.102V	9630032841
	PTFE	7400.101P	9630033226	7400.102P	9630033229
Stainless Steel / Inserted Carbon	NBR	7400.141N	9630032044	7400.142N	9630033248
	EPDM	7400.141E	9630033246	7400.142E	9630033250
	FPM	7400.141V	9630033245	7400.142V	9630033249
	PTFE	7400.141P	9630033247	7400.142P	9630033251
Tungsten Carbide / Inserted Carbon	NBR	7400.161N	9630032048	7400.162N	9630033268
	EPDM	7400.161E	9630033274	7400.162E	9630033277
	FPM	7400.161V	9630033273	7400.162V	9630033276
	PTFE	7400.161P	9630033275	7400.162P	9630033278
Tungsten Carbide / Tungsten Carbide	NBR	7400.171N	9630032049	7400.172N	9630032473
	EPDM	7400.171E	9630033296	7400.172E	9630033299
	FPM	7400.171V	9630033295	7400.172V	9630033298
	PTFE	7400.171P	9630033297	7400.172P	7400-172P
Silicon Carbide / Inserted Carbon	NBR	7400.191N	9630090695	7400.192N	9630090697
	EPDM	7400.191E	9630090694	7400.192E	9630090696
	FPM	7400.191V	9630069887	7400.192V	9630024870
	PTFE	7400.191P	9630071429	7400.192P	9630090698
Silicon Carbide / Silicon Carbide	NBR	7400.201N	9630032051	7400.202N	9630022584
	EPDM	7400.201E	9630056727	7400.202E	9630060647
	FPM	7400.201V	9630035318	7400.202V	9630060084
	PTFE	7400.201P	9630090693	7400.202P	9630030257

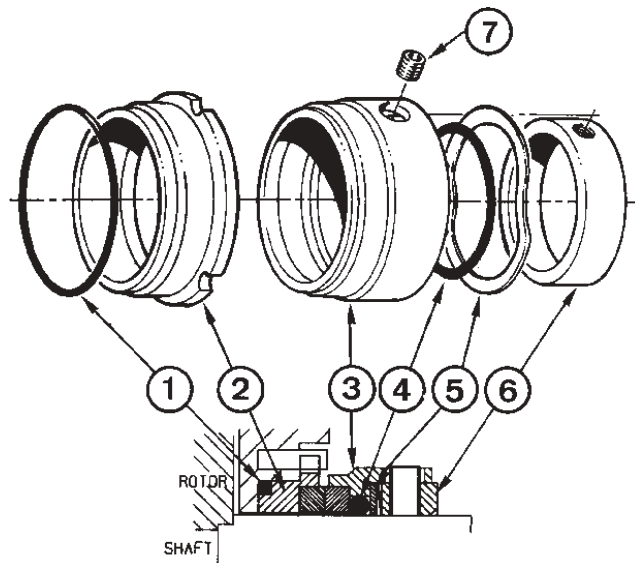
### Additional parts to convert above R90 seals to Single flushed seals:

Description	Drawing Item No.	Qty	SRU1		SRU2	
			Part No.	Item No.	Part No.	Item No.
Flush conversion kit BSPT connections	-	1	4010.331A	9630091217	4010.332A	9630091220
Flush conversion kit NPT connections	-	1	4010.331B	9630091218	4010.332B	9630091221
Spacer 'O'ring (FPM)	7	2	5380.319	5380-319	5380.053	5380-053
Spacer	8	2	5670.109	5670-109	5670.070	5670-070
Lip Seal (FPM)	11	2	5310.123	5310-123	5310.124	5310-124
Seal Housing. BSPT	10	2	5265.224AA	9630028370	5265.305A	9630032706
Seal Housing. NPT	10	2	5265.244BA	9630045526	5265.305B	5265-305B
Gasket	9	2	5198.099	5198-201	5198.100	5198-100
Studs		4	6350.112	6350-112	6350.102	6350-102
Washer		4	6400.046	6400-046	6400.036	6400-036
Hexagon Nuts		4	5330.007	5330-007	5330.003	5330-003

## R90 Single Mechanical Seals (Complete )

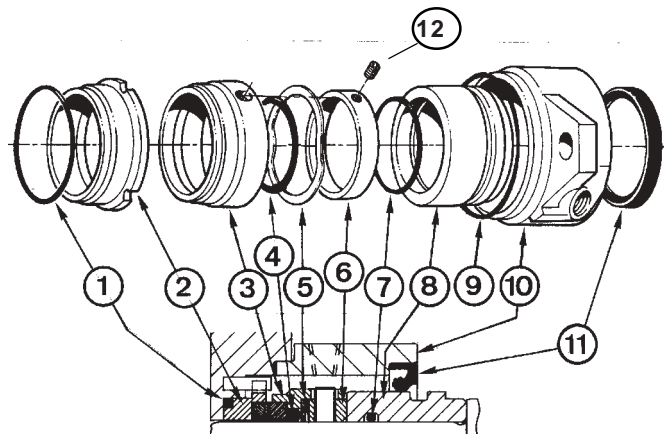
### R90 Single Mechanical Seal

Item	Description
1	Stationary seal ring o-ring
2	Stationary seal ring
3	Rotary seal ring
4	Rotary seal ring o-ring
5	Wave spring
6	Drive ring
7	Grub screw
8	Washer (not shown)



### R90 Single Flushed Mechanical Seal

Item	Description
1	Stationary seal ring o-ring
2	Stationary seal ring
3	Rotary seal ring
4	Rotary seal ring o-ring
5	Wave spring
6	Drive ring
7	Spacer o-ring
8	Spacer
9	Gasket
10	Seal housing
11	Lip seal
12	Grub screw



## R90 Single Mechanical Seals (Complete)

### SRU3 - 4 Pump Models

2 Seals per pump, it is recommended to replace both sets of seals when wear dictates seal replacement.

Seal Material Combinations		SRU3		SRU4	
Rotary Seal Ring / Stationary Seal Ring	'O' rings	Part No.	Item No.	Part No.	Item No.
Stainless Steel / Carbon	NBR	7400.103N	9630033230	7400.104N	9630033114
	EPDM	7400.103E	9630033231	7400.104E	9630033233
	FPM	7400.103V	9630032908	7400.104V	9630032968
	PTFE	7400.103P	9630033232	7400.104P	9630033234
Stainless Steel / Inserted Carbon	NBR	7400.143N	7400-143N	7400.144N	7400-144N
	EPDM	7400.143E	9630033257	7400.144E	7400-144E
	FPM	7400.143V	7400-143V	7400.144V	9630033259
	PTFE	7400.143P	9630033258	7400.144P	9630033261
Tungsten Carbide / Inserted Carbon	NBR	7400.163N	7400-163N	7400.164N	9630033270
	EPDM	7400.163E	9630033280	7400.164E	9630033283
	FPM	7400.163V	7400-163V	7400.164V	9630033282
	PTFE	7400.163P	9630033281	7400.164P	9630033284
Tungsten Carbide / Tungsten Carbide	NBR	7400.173N	7400-173N	7400.174N	9630033292
	EPDM	7400.173E	9630033302	7400.174E	9630033305
	FPM	7400.173V	7400-173V	7400.174V	7400-174V
	PTFE	7400.173P	9630033303	7400.174P	9630033306
Silicon Carbide / Inserted Carbon	NBR	7400.193N	9630090699	7400.194N	9630042382
	EPDM	7400.193E	9630073216	7400.194E	9630087140
	FPM	7400.193V	9630090700	7400.194V	9630031835
	PTFE	7400.193P	9630090701	7400.194P	9630057619
Silicon Carbide / Silicon Carbide	NBR	7400.203N	9630043322	7400.204N	9630090702
	EPDM	7400.203E	9630050713	7400.204E	9630061483
	FPM	7400.203V	9630035405	7400.204V	9630045054
	PTFE	7400.203P	9630073421	7400.204P	9630039376

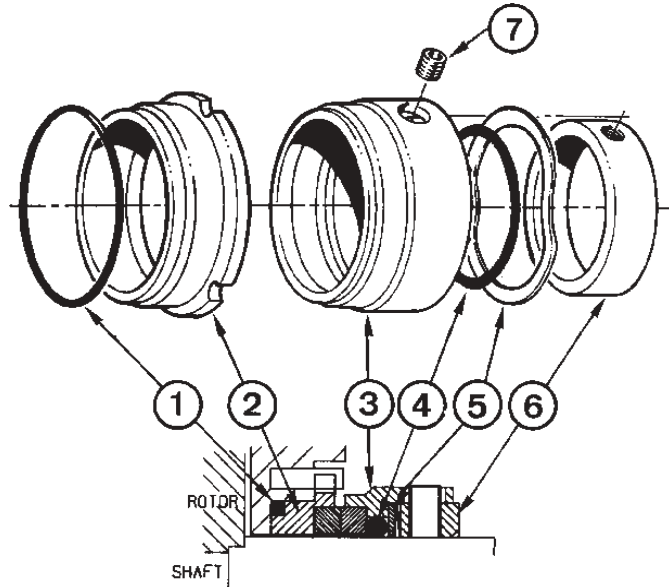
### Additional parts to convert above R90 seals to Single flushed seals:

Description	Drawing Item No.	Qty	SRU3		SRU4	
			Part No.	Item No.	Part No.	Item No.
Flush conversion kit BSPT connections	-	2	4010.333A	9630091222	4010.334A	9630091224
Flush conversion kit NPT connections	-	2	4010.333B	9630091223	4010.334B	9630091225
<b>Conversion kits comprising of :-</b>						
Spacer O'ring (FPM)	7	2	5380.019	5380-019	5380.275	5380-275
Spacer	8	2	5670.108	5670-108	5670.074	5670-074
Lip Seal (FPM)	11	2	5310.125	5310-125	5310.126	5310-126
Seal Housing. BSPT	10	2	5265.306A	9630039927	5265.307A	9630032692
Seal Housing. NPT	10	2	5265.306B	5265-306B	5265.307B	5265-307B
Gasket	9	2	5198.101	5198101	5198.102	5198-102
Studs		4	6350.102	6350-102	6350.104	6350104
Washer		4	6400.036	6400-036	6400.037	6400037
Hexagon Nuts		4	5330.003	5330-003	5330.000	5330-000

## R90 Single Mechanical Seals (Complete)

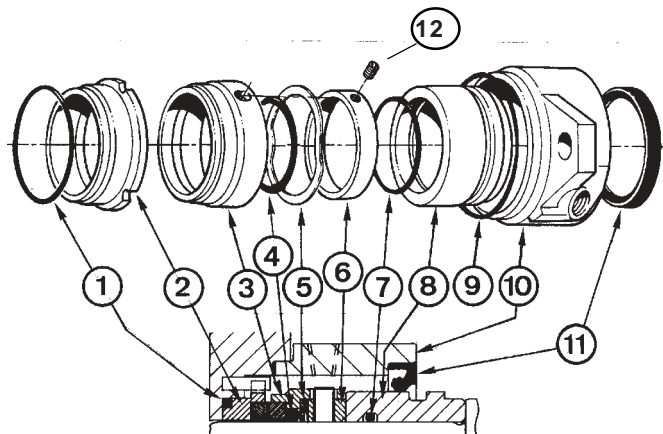
### R90 Single Mechanical Seal

Item	Description
1	Stationary seal ring o-ring
2	Stationary seal ring
3	Rotary seal ring
4	Rotary seal ring o-ring
5	Wave spring
6	Drive ring
7	Grub screw
8	Washer (not shown)



### R90 Single Flushed Mechanical Seal

Item	Description
1	Stationary seal ring o-ring
2	Stationary seal ring
3	Rotary seal ring
4	Rotary seal ring o-ring
5	Wave spring
6	Drive ring
7	Spacer o-ring
8	Spacer
9	Gasket
10	Seal housing
11	Lip seal
12	Grub screw



# R90 Single Mechanical Seals (Complete)

## SRU5 - 6 Pump Models

2 Seals per pump, it is recommended to replace both sets of seals when wear dictates seal replacement.

Seal Material Combinations		SRU5		SRU6	
Rotary Seal Ring / Stationary Seal Ring	'O' rings	Part No.	Item No.	Part No.	Item No.
Stainless Steel / Carbon	NBR	7400.105N	9630033117	7400.106N	9630033237
	EPDM	7400.105E	9630033235	7400.106E	9630033239
	FPM	7400.105V	9630033118	7400.106V	7400-106V
	PTFE	7400.105P	9630033236	7400.106P	9630033240
Stainless Steel / Inserted Carbon	NBR	7400.145N	9630033254	7400.146N	9630033255
	EPDM	7400.145E	9630033263	7400.146E	9630033266
	FPM	7400.145V	9630033262	7400.146V	7400-146V
	PTFE	7400.145P	9630033264	7400.146P	9630033267
Tungsten Carbide / Inserted Carbon	NBR	7400.165N	7400-165N	7400.166N	9630033272
	EPDM	7400.165E	7400-165E	7400.166E	7400-166E
	FPM	7400.165V	7400-165V	7400.166V	7400-166V
	PTFE	7400.165P	9630033287	7400.166P	9630033290
Tungsten Carbide / Tungsten Carbide	NBR	7400.175N	7400-175N	7400.176N	9630033294
	EPDM	7400.175E	9630033308	7400.176E	9630033311
	FPM	7400.175V	7400-175V	7400.176V	7400-176V
	PTFE	7400.175P	9630033309	7400.176P	9630033312
Silicon Carbide / Inserted Carbon	NBR	7400.195N	9630087180	7400.196N	9630090707
	EPDM	7400.195E	9630090703	7400.196E	9630032866
	FPM	7400.195V	9630090704	7400.196V	9630028988
	PTFE	7400.195P	9630085989	7400.196P	9630069377
Silicon Carbide / Silicon Carbide	NBR	7400.205N	9630062756	7400.206N	9630090705
	EPDM	7400.205E	9630057537	7400.206E	9630077819
	FPM	7400.205V	9630045055	7400.206V	9630032232
	PTFE	7400.205P	9630045555	7400.206P	9630090706

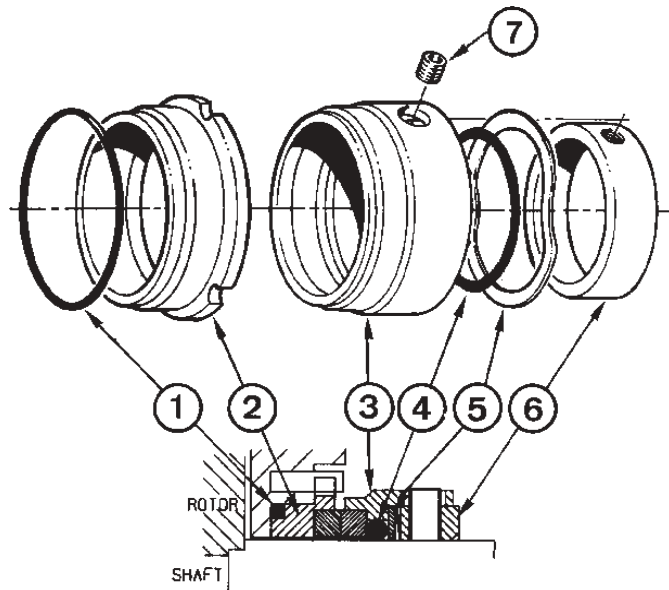
### Additional parts to convert Above R90 seals to Single flushed seals:

Description	Drawing Item No.	Qty	SRU5		SRU6	
			Part No.	Item No.	Part No.	Item No.
Flush conversion kit BSPT connections	-	2	4010.335A	9630091227	4010.336A	9630091229
Flush conversion kit NPT connections	-	2	4010.335B	9630091228	4010.336B	9630091230
<b>Conversion kits comprising of :-</b>						
Spacer O'ring (FPM)	7	2	5380.077	5380-077	5380.158	5380-158
Spacer	8	2	5670.076	5670-076	5670.078	5670-078
Lip Seal (FPM)	11	2	5310.127	5310-127	5310.033	5310-033
Seal Housing. BSPT	10	2	5265.308A	9630022756	5265.309A	9630032590
Seal Housing. NPT	10	2	5365.308B	9630045839	5265.309B	5265-309B
Gasket	9	2	5198.103	5198-103	5198.104	5198-104
Studs		4	6350.105	6350-105	6350.105	6350-105
Washer		4	6400.037	6400037	6400.037	6400037
Hexagon Nuts		4	5330.000	5330-000	5330.000	5330-000

## R90 Single Mechanical Seals (Complete)

### R90 Single Mechanical Seal

Item	Description
1	Stationary seal ring o-ring
2	Stationary seal ring
3	Rotary seal ring
4	Rotary seal ring o-ring
5	Wave spring
6	Drive ring
7	Grub screw
8	Washer (not shown)



### R90 Single Flushed Mechanical Seal

Item	Description
1	Stationary seal ring o-ring
2	Stationary seal ring
3	Rotary seal ring
4	Rotary seal ring o-ring
5	Wave spring
6	Drive ring
7	Spacer o-ring
8	Spacer
9	Gasket
10	Seal housing
11	Lip seal
12	Grub screw

