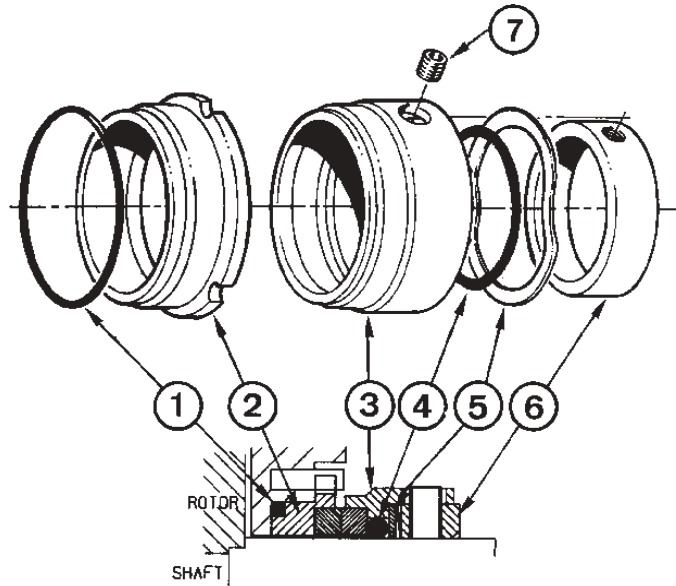


R90 Single Mechanical Seals (Parts)

Item	Description
1	Stationary seal ring o-ring
2	Stationary seal ring
3	Rotary seal ring
4	Rotary seal ring o-ring
5	Wave spring
6	Drive ring
7	Grub screw
8	Washer (not shown)



SRU1-2 Pump Models

Dwg Item No. No.	Description	Material	Qty	SRU1		SRU2	
				Part No.	Item No.	Part No.	Item No.
1	Stationary Seal Ring'O'ring	NBR	2	5380.214	5380-214	5380.222	8831550127
		EPDM	2	5380.218	5380-218	5380.226	5380-226
		FPM	2	5380.216	5380-216	5380.224	5380-224
		PTFE	2	5380.220	5380-220	5380.228	5380-228
2	Stationary Seal Ring	Solid Carbon	2	R5630.066	R5630-066	R5630.067	R5630-067
		Inserted Carbon	2	R5630.060	R5630-060	R5630.061	R5630-061
		Tungsten Carbide	2	R5630.072	R5630-072	R5630.073	R5630-073
		Silicon Carbide	2	R5630.078	R5630-078	R5630.079	R5630-079
3/5/6/7/8	Rotary Seal Assembly	Stainless Steel	2	R7400.121	R7400-121	R7400.122	R7400-122
		Tungsten Carbide	2	R7400.131	R7400-131	R7400.132	R7400-132
		Silicon Carbide	2	R7400.181	R7400-181	R7400.182	R7400-182
4	Rotary Seal Ring'O'ring	NBR	2	5380.213	5380-213	5380.221	5380-221
		EPDM	2	5380.217	5380-217	5380.225	5380-225
		FPM	2	5380.215	5380-215	5380.223	5380-223
		PTFE	2	5380.219	5380-219	5380.227	5380-227

Note: Rotary seal assembly comprises of rotary seal ring, drive ring, wave spring, grub screw and washer

R90 Single Mechanical Seals (Parts)

SRU3-4 Pump Models

Dwg Item No. No.	Description	Material	Qty	SRU3		SRU4	
				Part No.	Item No.	Part No.	Item No.
1	Stationary Seal Ring'O'ring	NBR	2	5380.230	5380-230	5380.238	5380-238
		EPDM	2	5380.234	5380-234	5380.242	5380-242
		FPM	2	5380.232	5380-232	5380.240	5380-240
		PTFE	2	5380.236	5380-236	5380.244	5380-244
2	Stationary Seal Ring	Solid Carbon	2	R5630.068	R5630-068	R5630.069	R5630-069
		Inserted Carbon	2	R5630.062	9630026162	R5630.063	R5630-063
		Tungsten Carbide	2	R5630.074	R5630-074	R5630.075	R5630-075
		Silicon Carbide	2	R5630.080	R5630-080	R5630.081	R5630-081
3/5/6/7/8	Rotary Seal Assembly	Stainless Steel	2	R7400.123	R7400-123	R7400.124	R7400-124
		Tungsten Carbide	2	R7400.133	R7400-133	R7400.134	R7400-134
		Silicon Carbide	2	R7400.183	R7400-183	R7400.184	R7400-184
4	Rotary Seal Ring'O'ring	NBR	2	5380.149	9630024280	5380.237	5380-237
		EPDM	2	5380.093	5380-093	5380.241	5380-241
		FPM	2	5380.101	5380-101	5380.239	5380-239
		PTFE	2	5380.123	5380-123	5380.243	5380-243

SRU5-6 Pump Models

Dwg Item No. No.	Description	Material	Qty	SRU5		SRU6	
				Part No.	Item No.	Part No.	Item No.
1	Stationary Seal Ring'O'ring	NBR	2	5380.246	5380-246	5380.254	5380-254
		EPDM	2	5380.250	5380-250	5380.258	5380-258
		FPM	2	5380.248	5380-248	5380.256	5380-256
		PTFE	2	5380.252	9630025846	5380.260	5380-260
2	Stationary Seal Ring	Solid Carbon	2	R5630.070	R5630-070	R5630.071	R5630-071
		Inserted Carbon	2	R5630.064	R5630-064	R5630.065	R5630-065
		Tungsten Carbide	2	R5630.076	R5630-076	R5630.077	R5630-077
		Silicon Carbide	2	R5630.082	R5630-082	R5630.083	R5630-083
3/5/6/7/8	Rotary Seal Assembly	Stainless Steel	2	R7400.125	R7400-125	R7400.126	R7400-126
		Tungsten Carbide	2	R7400.135	R7400-135	R7400.136	R7400-136
		Silicon Carbide	2	R7400.185	R7400-185	R7400.186	R7400-186
4	Rotary Seal Ring'O'ring	NBR	2	5380.245	5380-245	5380.253	5380-253
		EPDM	2	5380.249	5380-249	5380.257	5380-257
		FPM	2	5380.247	5380-247	5380.255	5380-255
		PTFE	2	5380.251	9630026704	5380.259	5380-259

Note: Rotary seal assembly comprises of rotary seal ring, drive ring, wave spring, grub screw and washer