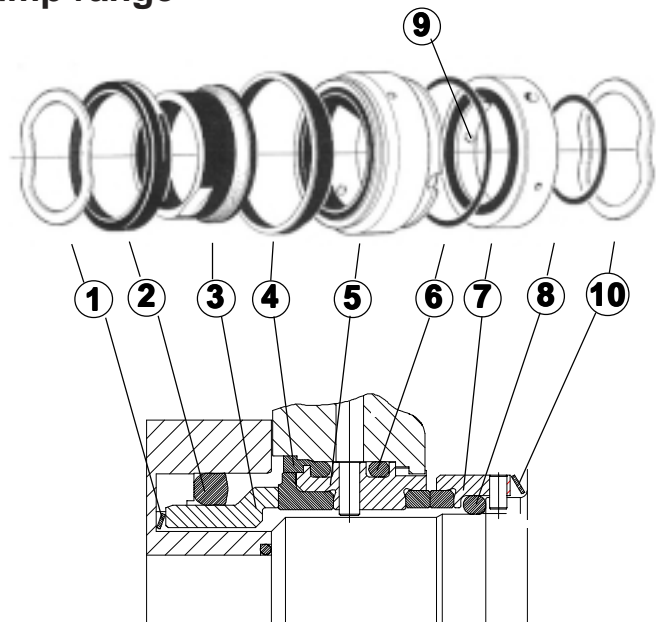


# Operating Manual

## R00 DOUBLE MECHANICAL SEAL (Complete Seal Part Nos) SX1 Pump Range

This seal is only available on the SX pump range

| ITEM | DESCRIPTION             |
|------|-------------------------|
| 1    | Wave spring             |
| 2    | Squad ring              |
| 3    | Rotary face (in board)  |
| 4    | Cup seal                |
| 5    | Static seat             |
| 6    | Static seat 'O' ring    |
| 7    | Rotary face (out board) |
| 8    | Rotary face 'O' ring    |
| 9    | Rotary face drive pin   |
| 10   | Wave spring             |



Complete Seal Kit comprises of all items 1 - 8

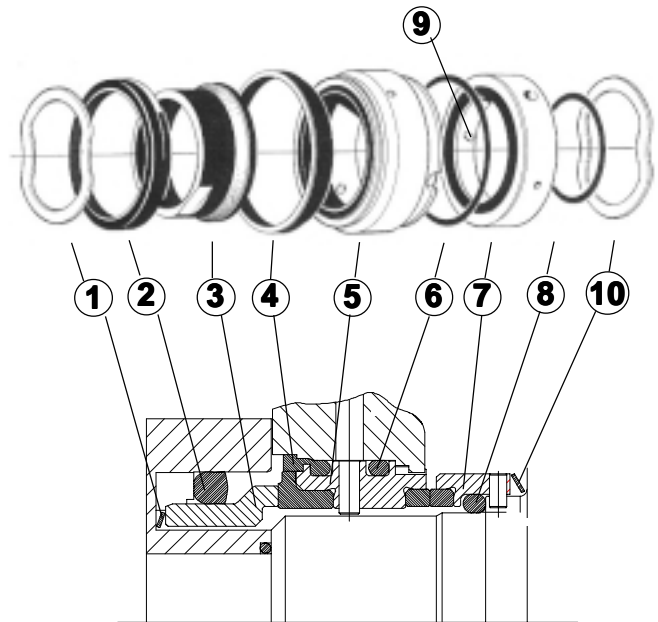
| INBOARD SEAL    |                 | OUTBOARD SEAL |                 | ELASTOMER | QTY | SX1NLD and SX1WLD |          |
|-----------------|-----------------|---------------|-----------------|-----------|-----|-------------------|----------|
| ROTARY FACE     | STATIC SEAT     | ROTARY FACE   | STATIC SEAT     |           |     | PART No.          | ITEM No. |
| Carbon          | Stainless Steel | Carbon        | Stainless Steel | EP        | 2   | 7700.501E         | TBA      |
| Carbon          | Stainless Steel | Carbon        | Stainless Steel | Viton     | 2   | 7700.501V         | TBA      |
| Carbon          | Stainless Steel | Carbon        | Stainless Steel | Silicone  | 2   | 7700.501S         | TBA      |
| Carbon          | Silicon Carbide | Carbon        | Stainless Steel | EP        | 2   | 7700.601E         | TBA      |
| Carbon          | Silicon Carbide | Carbon        | Stainless Steel | Viton     | 2   | 7700.601V         | TBA      |
| Carbon          | Silicon Carbide | Carbon        | Stainless Steel | Silicone  | 2   | 7700.601S         | TBA      |
| Carbon          | Silicon Carbide | Carbon        | Silicon Carbide | EP        | 2   | 7700.611E         | TBA      |
| Carbon          | Silicon Carbide | Carbon        | Silicon Carbide | Viton     | 2   | 7700.611V         | TBA      |
| Carbon          | Silicon Carbide | Carbon        | Silicon Carbide | Silicone  | 2   | 7700.611S         | TBA      |
| Silicon Carbide | Silicon Carbide | Carbon        | Stainless Steel | EP        | 2   | 7700.701E         | TBA      |
| Silicon Carbide | Silicon Carbide | Carbon        | Stainless Steel | Viton     | 2   | 7700.701V         | TBA      |
| Silicon Carbide | Silicon Carbide | Carbon        | Stainless Steel | Silicone  | 2   | 7700.701S         | TBA      |
| Silicon Carbide | Silicon Carbide | Carbon        | Silicon Carbide | EP        | 2   | 7700.711E         | TBA      |
| Silicon Carbide | Silicon Carbide | Carbon        | Silicon Carbide | Viton     | 2   | 7700.711V         | TBA      |
| Silicon Carbide | Silicon Carbide | Carbon        | Silicon Carbide | Silicone  | 2   | 7700.711S         | TBA      |

# Operating Manual

## R00 DOUBLE MECHANICAL SEAL (Complete Seal Part Nos) SX2 Pump Range

This seal is only available on the SX pump range

| ITEM | DESCRIPTION             |
|------|-------------------------|
| 1    | Wave spring             |
| 2    | Squad ring              |
| 3    | Rotary face (in board)  |
| 4    | Cup seal                |
| 5    | Static seat             |
| 6    | Static seat 'O' ring    |
| 7    | Rotary face (out board) |
| 8    | Rotary face 'O' ring    |
| 9    | Rotary face drive pin   |
| 10   | Wave spring             |



Complete Seal Kit comprises of all items 1 - 8

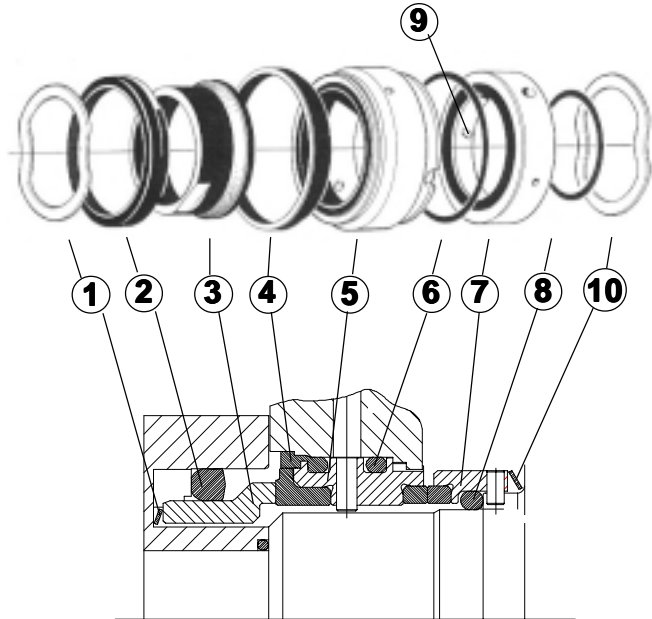
| INBOARD SEAL    |                 | OUTBOARD SEAL |                 | ELASTOMER | QTY | SX2NLD and SX2WLD |           |
|-----------------|-----------------|---------------|-----------------|-----------|-----|-------------------|-----------|
| ROTARY FACE     | STATIC SEAT     | ROTARY FACE   | STATIC SEAT     |           |     | PART No.          | ITEM No.  |
| Carbon          | Stainless Steel | Carbon        | Stainless Steel | EP        | 2   | 7700.502E         | TBA       |
| Carbon          | Stainless Steel | Carbon        | Stainless Steel | Viton     | 2   | 7700.502V         | TBA       |
| Carbon          | Stainless Steel | Carbon        | Stainless Steel | Silicone  | 2   | 7700.502S         | TBA       |
| Carbon          | Silicon Carbide | Carbon        | Stainless Steel | EP        | 2   | 7700.602E         | 7700-602E |
| Carbon          | Silicon Carbide | Carbon        | Stainless Steel | Viton     | 2   | 7700.602V         | TBA       |
| Carbon          | Silicon Carbide | Carbon        | Stainless Steel | Silicone  | 2   | 7700.602S         | TBA       |
| Carbon          | Silicon Carbide | Carbon        | Silicon Carbide | EP        | 2   | 7700.612E         | TBA       |
| Carbon          | Silicon Carbide | Carbon        | Silicon Carbide | Viton     | 2   | 7700.612V         | TBA       |
| Carbon          | Silicon Carbide | Carbon        | Silicon Carbide | Silicone  | 2   | 7700.612S         | TBA       |
| Silicon Carbide | Silicon Carbide | Carbon        | Stainless Steel | EP        | 2   | 7700.702E         | 7700-702E |
| Silicon Carbide | Silicon Carbide | Carbon        | Stainless Steel | Viton     | 2   | 7700.702V         | TBA       |
| Silicon Carbide | Silicon Carbide | Carbon        | Stainless Steel | Silicone  | 2   | 7700.702S         | TBA       |
| Silicon Carbide | Silicon Carbide | Carbon        | Silicon Carbide | EP        | 2   | 7700.712E         | TBA       |
| Silicon Carbide | Silicon Carbide | Carbon        | Silicon Carbide | Viton     | 2   | 7700.712V         | TBA       |
| Silicon Carbide | Silicon Carbide | Carbon        | Silicon Carbide | Silicone  | 2   | 7700.712S         | TBA       |

# Operating Manual

## R00 DOUBLE MECHANICAL SEAL (Complete Seal Part Nos) SX3 Pump Range

This seal is only available on the SX pump range

| ITEM | DESCRIPTION             |
|------|-------------------------|
| 1    | Wave spring             |
| 2    | Squad ring              |
| 3    | Rotary face (in board)  |
| 4    | Cup seal                |
| 5    | Static seat             |
| 6    | Static seat 'O' ring    |
| 7    | Rotary face (out board) |
| 8    | Rotary face 'O' ring    |
| 9    | Rotary face drive pin   |
| 10   | Wave spring             |



Complete Seal Kit comprises of all items 1 - 8

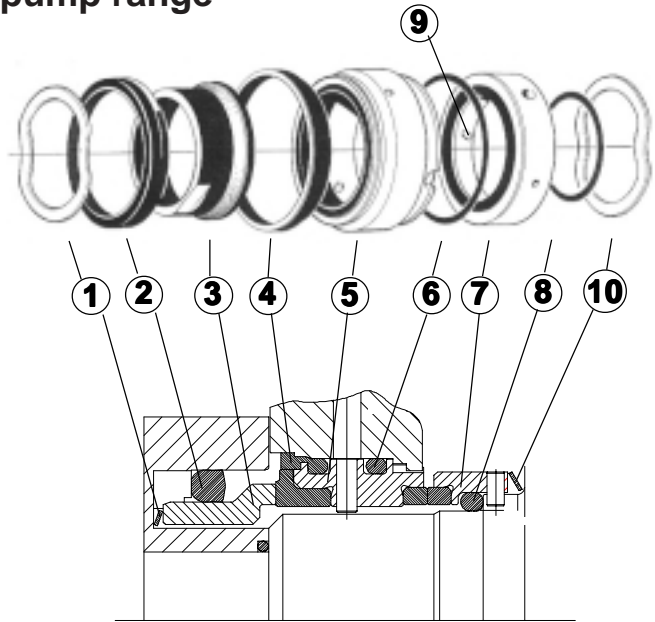
| INBOARD SEAL    |                 | OUTBOARD SEAL |                 | ELASTOMER | QTY | SX3NLD and SX3WLD |           |
|-----------------|-----------------|---------------|-----------------|-----------|-----|-------------------|-----------|
| ROTARY FACE     | STATIC SEAT     | ROTARY FACE   | STATIC SEAT     |           |     | PART No.          | ITEM No.  |
| Carbon          | Stainless Steel | Carbon        | Stainless Steel | EP        | 2   | 7700.503E         | TBA       |
| Carbon          | Stainless Steel | Carbon        | Stainless Steel | Viton     | 2   | 7700.503V         | TBA       |
| Carbon          | Stainless Steel | Carbon        | Stainless Steel | Silicone  | 2   | 7700.503S         | TBA       |
| Carbon          | Silicon Carbide | Carbon        | Stainless Steel | EP        | 2   | 7700.603E         | TBA       |
| Carbon          | Silicon Carbide | Carbon        | Stainless Steel | Viton     | 2   | 7700.603V         | TBA       |
| Carbon          | Silicon Carbide | Carbon        | Stainless Steel | Silicone  | 2   | 7700.603S         | TBA       |
| Carbon          | Silicon Carbide | Carbon        | Silicon Carbide | EP        | 2   | 7700.613E         | TBA       |
| Carbon          | Silicon Carbide | Carbon        | Silicon Carbide | Viton     | 2   | 7700.613V         | TBA       |
| Carbon          | Silicon Carbide | Carbon        | Silicon Carbide | Silicone  | 2   | 7700.613S         | TBA       |
| Silicon Carbide | Silicon Carbide | Carbon        | Stainless Steel | EP        | 2   | 7700.703E         | TBA       |
| Silicon Carbide | Silicon Carbide | Carbon        | Stainless Steel | Viton     | 2   | 7700.703V         | 7700-703V |
| Silicon Carbide | Silicon Carbide | Carbon        | Stainless Steel | Silicone  | 2   | 7700.703S         | TBA       |
| Silicon Carbide | Silicon Carbide | Carbon        | Silicon Carbide | EP        | 2   | 7700.713E         | TBA       |
| Silicon Carbide | Silicon Carbide | Carbon        | Silicon Carbide | Viton     | 2   | 7700.713V         | TBA       |
| Silicon Carbide | Silicon Carbide | Carbon        | Silicon Carbide | Silicone  | 2   | 7700.713S         | TBA       |

# Operating Manual

## R00 DOUBLE MECHANICAL SEAL (Complete Seal Part Nos) SX4 Pump Range

This seal is only available on the SX pump range

| ITEM | DESCRIPTION             |
|------|-------------------------|
| 1    | Wave spring             |
| 2    | Squad ring              |
| 3    | Rotary face (in board)  |
| 4    | Cup seal                |
| 5    | Static seat             |
| 6    | Static seat 'O' ring    |
| 7    | Rotary face (out board) |
| 8    | Rotary face 'O' ring    |
| 9    | Rotary face drive pin   |
| 10   | Wave spring             |



Complete Seal Kit comprises of all items 1 - 8

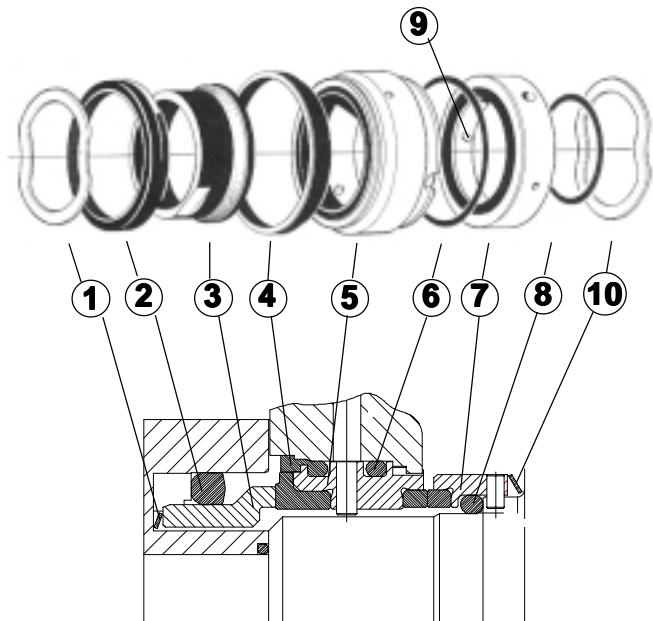
| INBOARD SEAL    |                 | OUTBOARD SEAL |                 | ELASTOMER | QTY | SX4NLD and SX4WLD |          |
|-----------------|-----------------|---------------|-----------------|-----------|-----|-------------------|----------|
| ROTARY FACE     | STATIC SEAT     | ROTARY FACE   | STATIC SEAT     |           |     | PART No.          | ITEM No. |
| Carbon          | Stainless Steel | Carbon        | Stainless Steel | EP        | 2   | 7700.504E         | TBA      |
| Carbon          | Stainless Steel | Carbon        | Stainless Steel | Viton     | 2   | 7700.504V         | TBA      |
| Carbon          | Stainless Steel | Carbon        | Stainless Steel | Silicone  | 2   | 7700.504S         | TBA      |
| Carbon          | Silicon Carbide | Carbon        | Stainless Steel | EP        | 2   | 7700.604E         | TBA      |
| Carbon          | Silicon Carbide | Carbon        | Stainless Steel | Viton     | 2   | 7700.604V         | TBA      |
| Carbon          | Silicon Carbide | Carbon        | Stainless Steel | Silicone  | 2   | 7700.604S         | TBA      |
| Carbon          | Silicon Carbide | Carbon        | Silicon Carbide | EP        | 2   | 7700.614E         | TBA      |
| Carbon          | Silicon Carbide | Carbon        | Silicon Carbide | Viton     | 2   | 7700.614V         | TBA      |
| Carbon          | Silicon Carbide | Carbon        | Silicon Carbide | Silicone  | 2   | 7700.614S         | TBA      |
| Silicon Carbide | Silicon Carbide | Carbon        | Stainless Steel | EP        | 2   | 7700.704E         | TBA      |
| Silicon Carbide | Silicon Carbide | Carbon        | Stainless Steel | Viton     | 2   | 7700.704V         | TBA      |
| Silicon Carbide | Silicon Carbide | Carbon        | Stainless Steel | Silicone  | 2   | 7700.704S         | TBA      |
| Silicon Carbide | Silicon Carbide | Carbon        | Silicon Carbide | EP        | 2   | 7700.714E         | TBA      |
| Silicon Carbide | Silicon Carbide | Carbon        | Silicon Carbide | Viton     | 2   | 7700.714V         | TBA      |
| Silicon Carbide | Silicon Carbide | Carbon        | Silicon Carbide | Silicone  | 2   | 7700.714S         | TBA      |

# Operating Manual

## R00 DOUBLE MECHANICAL SEAL (Complete Seal Part Nos) SX5 Pump Range

This seal is only available on the SX pump range

| ITEM | DESCRIPTION             |
|------|-------------------------|
| 1    | Wave spring             |
| 2    | Squad ring              |
| 3    | Rotary face (in board)  |
| 4    | Cup seal                |
| 5    | Static seat             |
| 6    | Static seat 'O' ring    |
| 7    | Rotary face (out board) |
| 8    | Rotary face 'O' ring    |
| 9    | Rotary face drive pin   |
| 10   | Wave spring             |



Complete Seal Kit comprises of all items 1 - 8

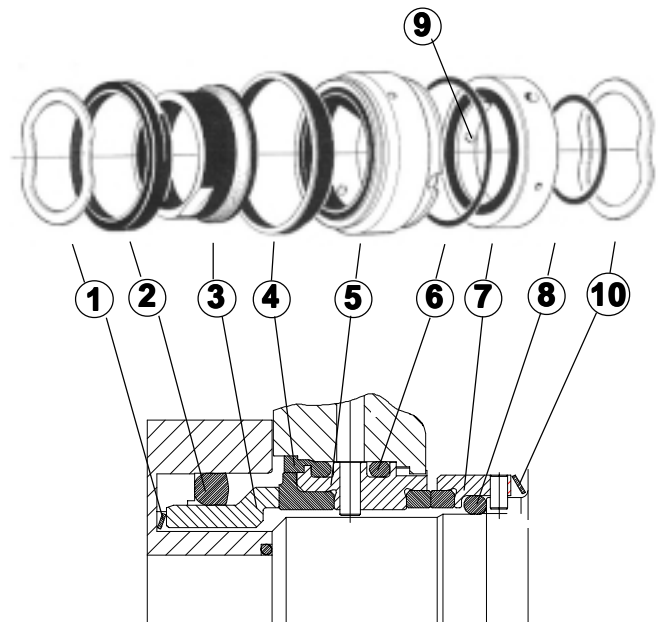
| INBOARD SEAL    |                 | OUTBOARD SEAL |                 | ELASTOMER | QTY | SX5NLD and SX5WLD |          |
|-----------------|-----------------|---------------|-----------------|-----------|-----|-------------------|----------|
| ROTARY FACE     | STATIC SEAT     | ROTARY FACE   | STATIC SEAT     |           |     | PART No.          | ITEM No. |
| Carbon          | Stainless Steel | Carbon        | Stainless Steel | EP        | 2   | 7700.505E         | TBA      |
| Carbon          | Stainless Steel | Carbon        | Stainless Steel | Viton     | 2   | 7700.505V         | TBA      |
| Carbon          | Stainless Steel | Carbon        | Stainless Steel | Silicone  | 2   | 7700.505S         | TBA      |
| Carbon          | Silicon Carbide | Carbon        | Stainless Steel | EP        | 2   | 7700.605E         | TBA      |
| Carbon          | Silicon Carbide | Carbon        | Stainless Steel | Viton     | 2   | 7700.605V         | TBA      |
| Carbon          | Silicon Carbide | Carbon        | Stainless Steel | Silicone  | 2   | 7700.605S         | TBA      |
| Carbon          | Silicon Carbide | Carbon        | Silicon Carbide | EP        | 2   | 7700.615E         | TBA      |
| Carbon          | Silicon Carbide | Carbon        | Silicon Carbide | Viton     | 2   | 7700.615V         | TBA      |
| Carbon          | Silicon Carbide | Carbon        | Silicon Carbide | Silicone  | 2   | 7700.615S         | TBA      |
| Silicon Carbide | Silicon Carbide | Carbon        | Stainless Steel | EP        | 2   | 7700.705E         | TBA      |
| Silicon Carbide | Silicon Carbide | Carbon        | Stainless Steel | Viton     | 2   | 7700.705V         | TBA      |
| Silicon Carbide | Silicon Carbide | Carbon        | Stainless Steel | Silicone  | 2   | 7700.705S         | TBA      |
| Silicon Carbide | Silicon Carbide | Carbon        | Silicon Carbide | EP        | 2   | 7700.715E         | TBA      |
| Silicon Carbide | Silicon Carbide | Carbon        | Silicon Carbide | Viton     | 2   | 7700.715V         | TBA      |
| Silicon Carbide | Silicon Carbide | Carbon        | Silicon Carbide | Silicone  | 2   | 7700.715S         | TBA      |

# Operating Manual

## R00 DOUBLE MECHANICAL SEAL (Complete Seal Part Nos) SX6 Pump Range

This seal is only available on the SX pump range

| ITEM | DESCRIPTION             |
|------|-------------------------|
| 1    | Wave spring             |
| 2    | Squad ring              |
| 3    | Rotary face (in board)  |
| 4    | Cup seal                |
| 5    | Static seat             |
| 6    | Static seat 'O' ring    |
| 7    | Rotary face (out board) |
| 8    | Rotary face 'O' ring    |
| 9    | Rotary face drive pin   |
| 10   | Wave spring             |



Complete Seal Kit comprises of all items 1 - 8

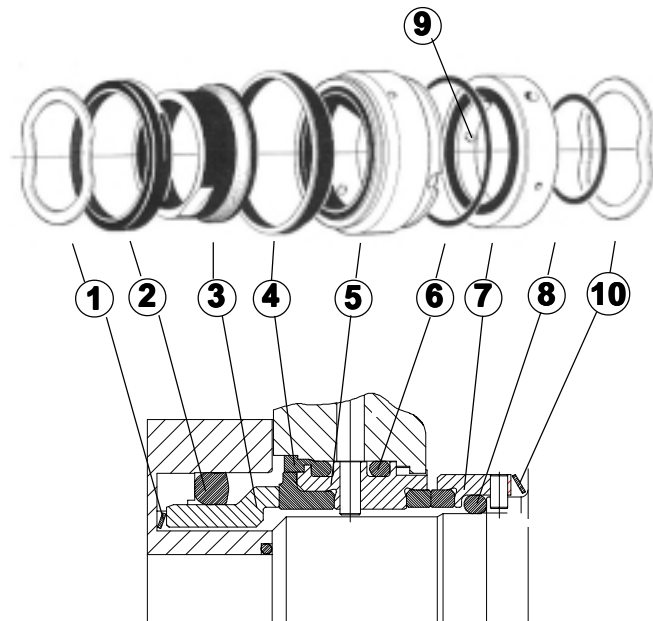
| INBOARD SEAL    |                 | OUTBOARD SEAL |                 | ELASTOMER | QTY | SX6NLD and SX6WLD |          |
|-----------------|-----------------|---------------|-----------------|-----------|-----|-------------------|----------|
| ROTARY FACE     | STATIC SEAT     | ROTARY FACE   | STATIC SEAT     |           |     | PART No.          | ITEM No. |
| Carbon          | Stainless Steel | Carbon        | Stainless Steel | EP        | 2   | 7700.506E         | TBA      |
| Carbon          | Stainless Steel | Carbon        | Stainless Steel | Viton     | 2   | 7700.506V         | TBA      |
| Carbon          | Stainless Steel | Carbon        | Stainless Steel | Silicone  | 2   | 7700.506S         | TBA      |
| Carbon          | Silicon Carbide | Carbon        | Stainless Steel | EP        | 2   | 7700.606E         | TBA      |
| Carbon          | Silicon Carbide | Carbon        | Stainless Steel | Viton     | 2   | 7700.606V         | TBA      |
| Carbon          | Silicon Carbide | Carbon        | Stainless Steel | Silicone  | 2   | 7700.606S         | TBA      |
| Carbon          | Silicon Carbide | Carbon        | Silicon Carbide | EP        | 2   | 7700.616E         | TBA      |
| Carbon          | Silicon Carbide | Carbon        | Silicon Carbide | Viton     | 2   | 7700.616V         | TBA      |
| Carbon          | Silicon Carbide | Carbon        | Silicon Carbide | Silicone  | 2   | 7700.616S         | TBA      |
| Silicon Carbide | Silicon Carbide | Carbon        | Stainless Steel | EP        | 2   | 7700.706E         | TBA      |
| Silicon Carbide | Silicon Carbide | Carbon        | Stainless Steel | Viton     | 2   | 7700.706V         | TBA      |
| Silicon Carbide | Silicon Carbide | Carbon        | Stainless Steel | Silicone  | 2   | 7700.706S         | TBA      |
| Silicon Carbide | Silicon Carbide | Carbon        | Silicon Carbide | EP        | 2   | 7700.716E         | TBA      |
| Silicon Carbide | Silicon Carbide | Carbon        | Silicon Carbide | Viton     | 2   | 7700.716V         | TBA      |
| Silicon Carbide | Silicon Carbide | Carbon        | Silicon Carbide | Silicone  | 2   | 7700.716S         | TBA      |

# Operating Manual

## R00 DOUBLE MECHANICAL SEAL (Complete Seal Part Nos) SX7 Pump Range

This seal is only available on the SX pump range

| ITEM | DESCRIPTION             |
|------|-------------------------|
| 1    | Wave spring             |
| 2    | Squad ring              |
| 3    | Rotary face (in board)  |
| 4    | Cup seal                |
| 5    | Static seat             |
| 6    | Static seat 'O' ring    |
| 7    | Rotary face (out board) |
| 8    | Rotary face 'O' ring    |
| 9    | Rotary face drive pin   |
| 10   | Wave spring             |



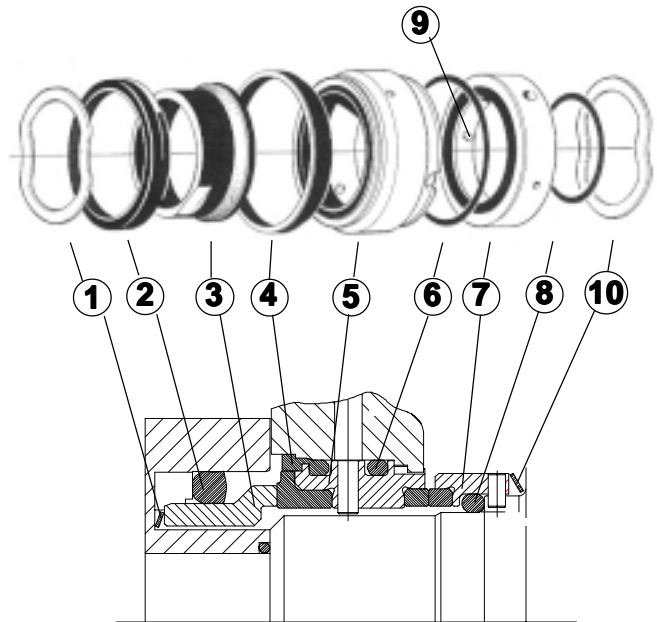
Complete Seal Kit comprises of all items 1 - 8

| INBOARD SEAL    |                 | OUTBOARD SEAL |                 | ELASTOMER | QTY | SX7NLD and SX7WLD |          |
|-----------------|-----------------|---------------|-----------------|-----------|-----|-------------------|----------|
| ROTARY FACE     | STATIC SEAT     | ROTARY FACE   | STATIC SEAT     |           |     | PART No.          | ITEM No. |
| Carbon          | Stainless Steel | Carbon        | Stainless Steel | EP        | 2   | 7700.507E         | TBA      |
| Carbon          | Stainless Steel | Carbon        | Stainless Steel | Viton     | 2   | 7700.507V         | TBA      |
| Carbon          | Stainless Steel | Carbon        | Stainless Steel | Silicone  | 2   | 7700.507S         | TBA      |
| Carbon          | Silicon Carbide | Carbon        | Stainless Steel | EP        | 2   | 7700.607E         | TBA      |
| Carbon          | Silicon Carbide | Carbon        | Stainless Steel | Viton     | 2   | 7700.607V         | TBA      |
| Carbon          | Silicon Carbide | Carbon        | Stainless Steel | Silicone  | 2   | 7700.607S         | TBA      |
| Carbon          | Silicon Carbide | Carbon        | Silicon Carbide | EP        | 2   | 7700.617E         | TBA      |
| Carbon          | Silicon Carbide | Carbon        | Silicon Carbide | Viton     | 2   | 7700.617V         | TBA      |
| Carbon          | Silicon Carbide | Carbon        | Silicon Carbide | Silicone  | 2   | 7700.617S         | TBA      |
| Silicon Carbide | Silicon Carbide | Carbon        | Stainless Steel | EP        | 2   | 7700.707E         | TBA      |
| Silicon Carbide | Silicon Carbide | Carbon        | Stainless Steel | Viton     | 2   | 7700.707V         | TBA      |
| Silicon Carbide | Silicon Carbide | Carbon        | Stainless Steel | Silicone  | 2   | 7700.707S         | TBA      |
| Silicon Carbide | Silicon Carbide | Carbon        | Silicon Carbide | EP        | 2   | 7700.717E         | TBA      |
| Silicon Carbide | Silicon Carbide | Carbon        | Silicon Carbide | Viton     | 2   | 7700.717V         | TBA      |
| Silicon Carbide | Silicon Carbide | Carbon        | Silicon Carbide | Silicone  | 2   | 7700.717S         | TBA      |

# Operating Manual

## R00 DOUBLE MECHANICAL SEAL (Component Parts) SX1-SX2 Pump Range

| ITEM | DESCRIPTION             |
|------|-------------------------|
| 1    | Wave spring             |
| 2    | Squad ring              |
| 3    | Rotary face (in board)  |
| 4    | Cup seal                |
| 5    | Static seat             |
| 6    | Static seat 'O' ring    |
| 7    | Rotary face (out board) |
| 8    | Rotary face 'O' ring    |
| 9    | Rotary face drive pin   |
| 10   | Wave spring             |



When needing to replace either the Rotary Face (3) and (7) or the Static Seat (5), please note that all three parts should be renewed at the same time.

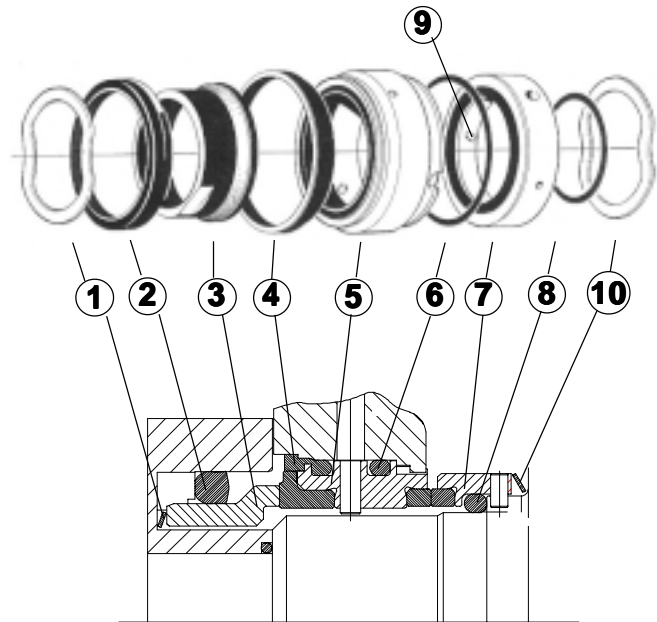
| DRAWING<br>ITEM No. | DESCRIPTION            | QTY | SX1NLD and SX1WLD                |  | SX2NLD and SX2WLD                |  |
|---------------------|------------------------|-----|----------------------------------|--|----------------------------------|--|
|                     |                        |     | PART No.                         | ITEM No.                               | PART No.                         | ITEM No.                               |
| 1                   | Wave spring            | 2   | R6300.051                        | 9630075413                             | R6300.052                        | 9630075425                             |
| 2                   | Squad ring             | 2   | 5383.105<br>5383.101<br>5383.104 | 9630069434<br>9630069440<br>9630069437 | 5383.205<br>5383.201<br>5383.204 | 9630069435<br>9630069654<br>9630069438 |
| 2*                  | Rotary ring 'O' ring   | 2   | 5380.695                         | 9630071261                             | 1555.324                         | 9630074754                             |
|                     |                        | 2   | 5380.692                         | 9630071246                             | 1551.324                         | 9630074750                             |
|                     |                        | 2   | 5380.694                         | 9630071260                             | 1554.324                         | 9630074752                             |
| 3                   | Rotary face (inboard)  | 2   | R55610.121                       | 9630069795                             | R5610.121                        | 9630069796                             |
| 4                   | Cup seal               | 2   | 5282.105<br>5382.101<br>5382.104 | 9630069424<br>9630069429<br>9630069427 | 5382.205<br>5382.201<br>5382.204 | 9630096425<br>9630069430<br>9630069428 |
| 5                   | Static seat            | 2   | R5630.141                        | 9630069817                             | R5630.142                        | 9630069820                             |
|                     |                        |     | R5630.131                        | 9630069816                             | R5630.132                        | 9630069819                             |
| 6                   | Static seat 'O' ring   | 2   | 1555.123<br>1551.123<br>1554.123 | 9630037138<br>1551-123<br>9630043327   | 1555.131<br>1551.131<br>1554.131 | 1555-131<br>1551-131<br>9630074739     |
| 7                   | Rotary face (outboard) | 2   | R5610.131                        | 9630069832                             | R5610.132                        | 9630069833                             |
| 8                   | Rotary face 'O' ring   | 2   | 5380.416<br>5380.319<br>5380.679 | 9630043405<br>5380-319<br>9630074749   | 5280.686<br>5380.684<br>5380.696 | 9630071238<br>9630071237<br>9630071259 |
| 9                   | Rotary face drive pin  | 2   | -                                | -                                      | -                                | -                                      |
| 10                  | Wave spring            | 2   | R6300.061                        | 9630075414                             | R6300.062                        | 9630075426                             |

\*Where the flush pressure can be at pressure of >5 bar above the differential pressure of the pump, the squad ring is replaced by the 'o' ring.

# Operating Manual

## R00 DOUBLE MECHANICAL SEAL (Component Parts) SX3-SX4 Pump Range

| ITEM | DESCRIPTION             |
|------|-------------------------|
| 1    | Wave spring             |
| 2    | Squad ring              |
| 3    | Rotary face (in board)  |
| 4    | Cup seal                |
| 5    | Static seat             |
| 6    | Static seat 'O' ring    |
| 7    | Rotary face (out board) |
| 8    | Rotary face 'O' ring    |
| 9    | Rotary face drive pin   |
| 10   | Wave spring             |



When needing to replace either the Rotary Face (3) and (7) or the Static Seat (5), please note that all three parts should be renewed at the same time.

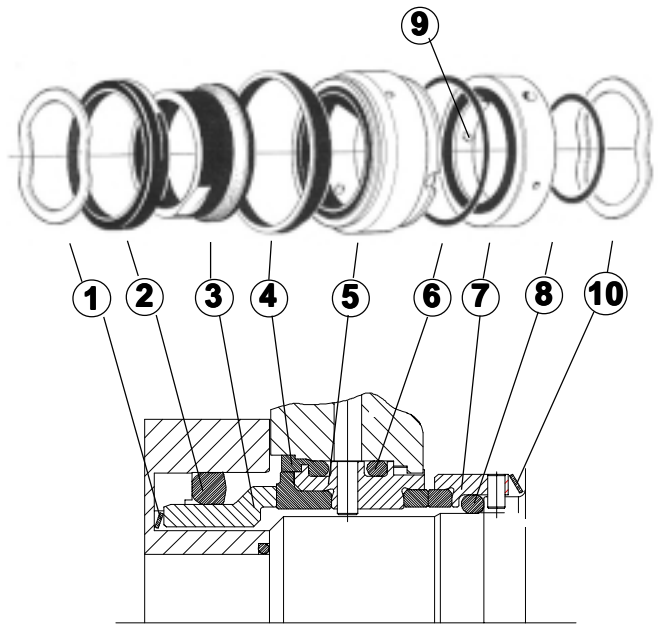
| DRAWING<br>ITEM No. | DESCRIPTION            | QTY | SX3NLD and SX3WLD   |  | SX4NLD and SX4WLD                |  |            |
|---------------------|------------------------|-----|---|--|----------------------------------|--|------------|
|                     |                        |     | PART No.  | ITEM No.                               | PART No.                         | ITEM No.                               |            |
| 1                   | Wave spring            | 2   | R6300.053   | 96300754129                            | R6300.054                        | 9630075433                             |            |
| 2                   | Squad ring             | 2   | 5383.305<br>5383.301<br>5383.304                          | 9630069433<br>9630069442<br>9630069439 | 5383.405<br>5383.401<br>5383.404 | 9630069436<br>9630069444<br>9630069443 |            |
| 2*                  | Rotary ring 'O' ring   | 2   | EP  | 1555.325                               | 9630074755                       | 1555.330                               | 9630074756 |
|                     |                        |     | Viton   | 1551.325                               | 9630023463                       | 5380.681                               | 9630070316 |
|                     |                        |     | Silicone  | 1554.325                               | 9630074753                       | 1554.330                               | 9630074760 |
| 3                   | Rotary face (inboard)  | 2   | R5610.123   | 9630069797                             | R5610.124                        | 9630069798                             |            |
| 4                   | Cup seal               | 2   | EP  | 5282.305                               | 9630069421                       | 5282.405                               | 9630096426 |
|                     |                        |     | Viton   | 5382.301                               | 9630069423                       | 5382.401                               | 9630069432 |
|                     |                        |     | Silicone  | 5382.304                               | 9630069422                       | 5382.404                               | 9630069431 |
| 5                   | Static seat            | 2   | Silicon Carbide (inboard)/<br>Stainless Steel (outboard)  | R5630.143                              | 9630069822                       | R5630.144                              | 9630069825 |
|                     |                        |     | Silicone Carbide (inboard)/<br>Silicon Carbide (outboard) | R5630.133                              | 9630069821                       | R5630.134                              | 9630069823 |
| 6                   | Static seat 'O' ring   | 2   | EP  | 5380.691                               | 1555.134                         | 1555.144                               | 9630038946 |
|                     |                        |     | Viton   | 5380.069                               | 8831551134                       | 1551.144                               | 8831551144 |
|                     |                        |     | Silicone  | 5380.687                               | 9630074204                       | 1554.144                               | 9630071262 |
| 7                   | Rotary face (outboard) | 2   | R5610.133   | 9630069834                             | R5610.134                        | 9630069835                             |            |
| 8                   | Rotary face 'O' ring   | 2   | EP  | 5380.691                               | 9630071245                       | 1555.830                               | 9630071265 |
|                     |                        |     | Viton   | 5380.069                               | 9630024187                       | 1551.830                               | 9630071264 |
|                     |                        |     | Silicone  | 5380.687                               | 9630071239                       | 1554.830                               | 9630071263 |
| 9                   | Rotary face drive pin  | 2   | -   | -                                      | -                                | -                                      |            |
| 10                  | Wave spring            | 2   | R6300.063   | 9630075430                             | R6300.064                        | 9630075434                             |            |

\*Where the flush pressure can be at pressure of >5 bar above the differential pressure of the pump, the squad ring is replaced by the 'o' ring.

# Operating Manual

## R00 DOUBLE MECHANICAL SEAL (Component Parts) SX5-SX6 Pump Range

| ITEM | DESCRIPTION             |
|------|-------------------------|
| 1    | Wave spring             |
| 2    | Squad ring              |
| 3    | Rotary face (in board)  |
| 4    | Cup seal                |
| 5    | Static seat             |
| 6    | Static seat 'O' ring    |
| 7    | Rotary face (out board) |
| 8    | Rotary face 'O' ring    |
| 9    | Rotary face drive pin   |
| 10   | Wave spring             |



When needing to replace either the Rotary Face (3) and (7) or the Static Seat (5), please note that all three parts should be renewed at the same time.

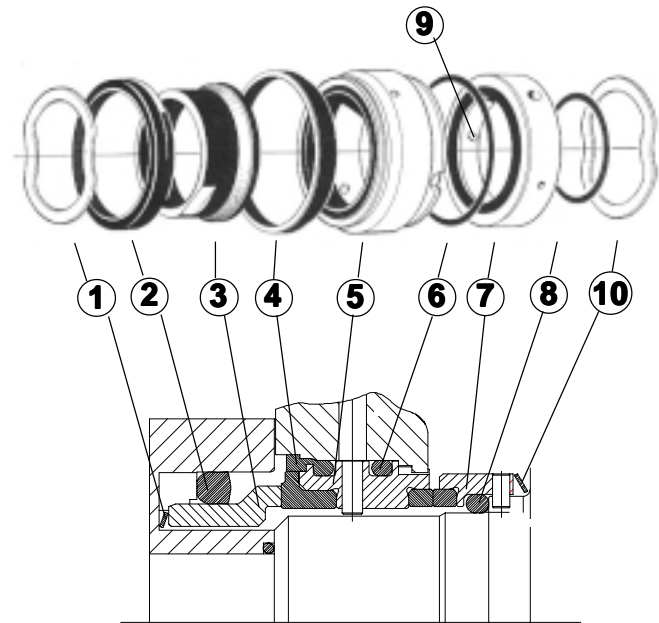
| DRAWING<br>ITEM No. | DESCRIPTION            | QTY  | SX5NLD and SX5WLD   |            | SX6NLD and SX6WLD |            |            |
|---------------------|------------------------|--|---|------------|-------------------|------------|------------|
|                     |                        |  | PART No.  | ITEM No.   | PART No.          | ITEM No.   |            |
| 1                   | Wave spring            | 2  | R6300.055   | 9630075437 | R6300.056         | 9630075441 |            |
| 2                   | Squad ring             | EP   | 5383.505  | 5383-505   | 5383.605          | 9630069870 |            |
|                     |                        |  | Viton   | 5383.501   | 9630069868        | 5383.601   | 9630069872 |
|                     |                        |  | Silicone  | 5383.504   | 9630069869        | 5383.604   | 9630069873 |
| 2*                  | Rotary ring 'O' ring   | EP   | 1555.335  | 8831555335 | 1555.339          | 8831555339 |            |
|                     |                        |  | Viton   | 1551.335   | 9630023472        | 5380.682   | 9630070321 |
|                     |                        |  | Silicone  | 1554.335   | 9630074762        | 1554.339   | 9630074764 |
| 3                   | Rotary face (inboard)  | Silicon Carbide  | 2   | R5610.125  | 9630069799        | R5610.126  | 9630069800 |
| 4                   | Cup seal               | EP   | 5282.505  | 5382-505   | 5282.605          | 9630069859 |            |
|                     |                        |  | Viton   | 5382.501   | 9630069861        | 5382.601   | 9630069863 |
|                     |                        |  | Silicone  | 5382.504   | 9630069862        | 5382.604   | 9630069864 |
| 5                   | Static seat            | Silicon Carbide (inboard)/<br>Stainless Steel (outboard) | 2   | R5630.145  | 9630069827        | R5630.146  | 9630069829 |
|                     |                        |  | Silicone Carbide (inboard)/<br>Silicon Carbide (outboard) | R5630.135  | 9630069826        | R5630.136  | 9630069828 |
| 6                   | Static seat 'O' ring   | EP   | 1555.234  | 9630022854 | 1555.238          | 9630037171 |            |
|                     |                        |  | Viton   | 1551.234   | 1551-234          | 1551.238   | 9630037174 |
|                     |                        |  | Silicone  | 1554.234   | 9630042618        | 1554.238   | 9630074740 |
| 7                   | Rotary face (outboard) | Carbon   | 2   | R5610.135  | 9630069836        | R5610.136  | 9630069837 |
| 8                   | Rotary face 'O' ring   | EP   | 1555.231  | 9630023538 | 1555.234          | 9630022854 |            |
|                     |                        |  | Viton   | 1551.231   | 1551-231          | 1551.234   | 1551-234   |
|                     |                        |  | Silicone  | 1554.231   | 9630074742        | 1554.234   | 9630042618 |
| 9                   | Rotary face drive pin  |  | 2   | -          | -                 | -          | -          |
| 10                  | Wave spring            |  | 2   | R6300.065  | 9630075438        | R6300.066  | 9630075442 |

\*Where the flush pressure can be at pressure of >5 bar above the differential pressure of the pump, the squad ring is replaced by the 'o' ring.

# Operating Manual

## R00 DOUBLE MECHANICAL SEAL (Component Parts) SX7 Pump Range

| ITEM | DESCRIPTION             |
|------|-------------------------|
| 1    | Wave spring             |
| 2    | Squad ring              |
| 3    | Rotary face (in board)  |
| 4    | Cup seal                |
| 5    | Static seat             |
| 6    | Static seat 'O' ring    |
| 7    | Rotary face (out board) |
| 8    | Rotary face 'O' ring    |
| 9    | Rotary face drive pin   |
| 10   | Wave spring             |



When needing to replace either the Rotary Face (3) and (7) or the Static Seat (5), please note that all three parts should be renewed at the same time.

| DRAWING<br>ITEM No. | DESCRIPTION  | QTY | SX7NLD and SX7WLD |            |
|---------------------|--|-----|-------------------|------------|
|                     |  |     | PART No.          | ITEM No.   |
| 1                   | Wave spring  | 2   | R6300.057         | 9630075444 |
| 2                   | Squad ring<br>EP<br>Viton<br>Silicone  | 2   | 5383.705          | 9630069871 |
|                     |  |     | 5383.701          | 9630069875 |
|                     |  |     | 5383.704          | 9630069874 |
| 2*                  | Rotary ring 'O' ring<br>EP<br>Viton<br>Silicone  | 2   | 1555.344          | 9630074758 |
|                     |  |     | 1551.344          | 9630074759 |
|                     |  |     | 1554.344          | 9630074765 |
| 3                   | Rotary face (inboard)<br>Silicon Carbide   | 2   | R5610.127         | 9630069801 |
| 4                   | Cup seal<br>EP<br>Viton<br>Silicone  | 2   | 5282.705          | 9630069860 |
|                     |  |     | 5382.701          | 9630069865 |
|                     |  |     | 5382.704          | 9630069866 |
| 5                   | Static seat<br>Silicon Carbide (inboard)/<br>Stainless Steel (outboard)<br>Silicone Carbide (inboard)/<br>Silicon Carbide (outboard) | 2   | R5630.147         | 9630069831 |
|                     |  |     | R5630.137         | 9630069830 |
| 6                   | Static seat 'O' ring<br>EP<br>Viton<br>Silicone  | 2   | 1555.244          | 9630037180 |
|                     |  |     | 1551.244          | 1551-244   |
|                     |  |     | 1554.244          | 9630043332 |
| 7                   | Rotary face (outboard)<br>Carbon   | 2   | R5610.137         | 9630069538 |
| 8                   | Rotary face 'O' ring<br>EP<br>Viton<br>Silicone  | 2   | 1555.239          | 1555-239   |
|                     |  |     | 1551.239          | 1551-239   |
|                     |  |     | 1554.239          | 9630074743 |
| 9                   | Rotary face drive pin  | 2   | -                 | -          |
| 10                  | Wave spring  | 2   | R6300.067         | 9630075445 |

\*Where the flush pressure can be at pressure of >5 bar above the differential pressure of the pump, the squad ring is replaced by the 'o' ring.