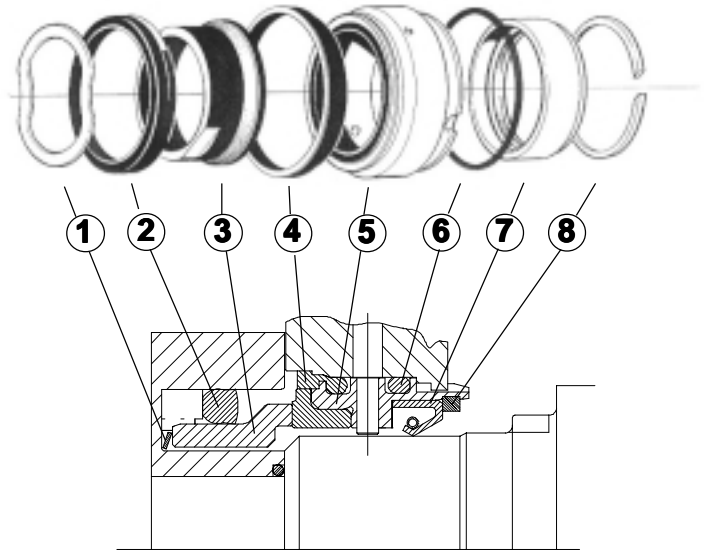


Operating Manual

R00 SINGLE FLUSHED SEAL (Complete Seal Part Nos) SX1-SX4 Pump Range

This seal is only available on the SX pump range

ITEM	DESCRIPTION
1	Wave spring
2	Squad ring
3	Rotary face
4	Cup seal
5	Static seat
6	Static seat 'O' ring
7	Flush sealing device
8	Circlip



Complete Seal Kit comprises of all items 1 - 8

ROTARY FACE	STATIC SEAT	ELASTOMER	QTY	SX1NLD and SX1WLD		SX2NLD and SX2WLD	
				PART No.	ITEM No.	PART No.	ITEM No.
Carbon	Stainless Steel	EP	2	7700.221E	TBA	7700.222E	TBA
Carbon	Stainless Steel	Viton	2	7700.221V	TBA	7700.222V	TBA
Carbon	Stainless Steel	Silicone	2	7700.221S	TBA	7700.222S	TBA
Carbon	Silicon Carbide	EP	2	7700.231E	TBA	7700.232E	TBA
Carbon	Silicon Carbide	Viton	2	7700.231V	TBA	7700.232V	7700-232V
Carbon	Silicon Carbide	Silicone	2	7700.231S	TBA	7700.232S	TBA
Silicon Carbide	Silicon Carbide	EP	2	7700.211E	TBA	7700.212E	7700-212E
Silicon Carbide	Silicon Carbide	Viton	2	7700.211V	TBA	7700.212V	TBA
Silicon Carbide	Silicon Carbide	Silicone	2	7700.211S	TBA	7700.212S	TBA

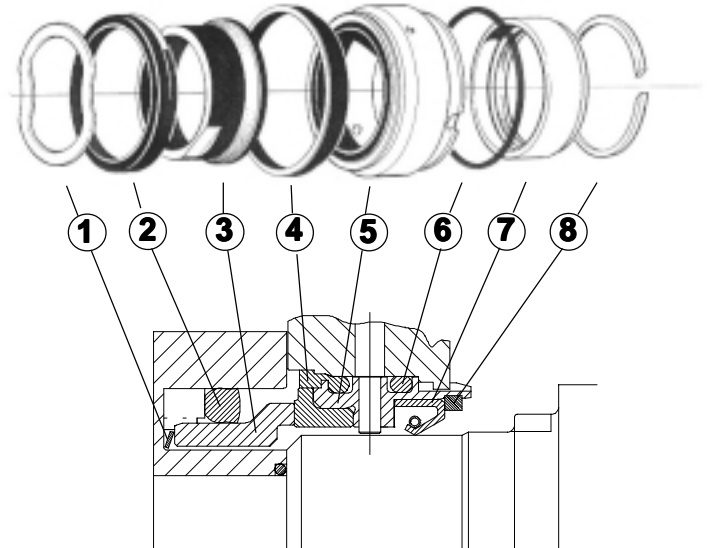
ROTARY FACE	STATIC SEAT	ELASTOMER	QTY	SX3NLD and SX3WLD		SX4NLD and SX4WLD	
				PART No.	ITEM No.	PART No.	ITEM No.
Carbon	Stainless Steel	EP	2	7700.223E	TBA	7700.224E	TBA
Carbon	Stainless Steel	Viton	2	7700.223V	TBA	7700.224V	TBA
Carbon	Stainless Steel	Silicone	2	7700.223S	TBA	7700.224S	TBA
Carbon	Silicon Carbide	EP	2	7700.233E	TBA	7700.234E	TBA
Carbon	Silicon Carbide	Viton	2	7700.233V	7700-233V	7700.234V	7700-234V
Carbon	Silicon Carbide	Silicone	2	7700.233S	TBA	7700.234S	TBA
Silicon Carbide	Silicon Carbide	EP	2	7700.213E	TBA	7700.214E	TBA
Silicon Carbide	Silicon Carbide	Viton	2	7700.213V	7700-213V	7700.214V	TBA
Silicon Carbide	Silicon Carbide	Silicone	2	7700.213S	TBA	7700.214S	TBA

Operating Manual

R00 SINGLE FLUSHED MECHANICAL SEAL (Complete Seal Part No.s) SX5 - SX7 Pump Range

This seal is only available on the SX pump range

ITEM	DESCRIPTION
1	Wave spring
2	Squad ring
3	Rotary face
4	Cup seal
5	Static seat
6	Static seat 'O' ring
7	Flush sealing device
8	Circlip



Complete Seal Kit comprises of all items 1 - 8

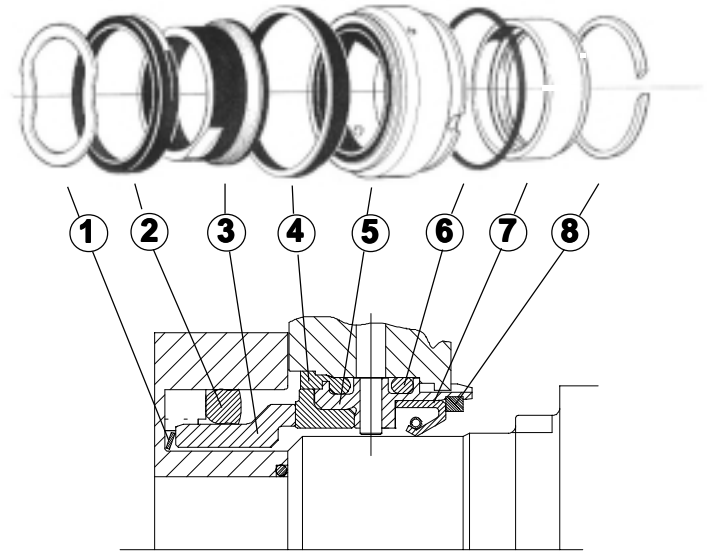
ROTARY FACE	STATIC SEAT	ELASTOMER	QTY	SX5NLD and SX5WLD		SX6NLD and SX6WLD	
				PART No.	ITEM No.	PART No.	ITEM No.
Carbon	Stainless Steel	EP	2	7700.225E	TBA	7700.226E	TBA
Carbon	Stainless Steel	Viton	2	7700.225V	TBA	7700.226V	TBA
Carbon	Stainless Steel	Silicone	2	7700.225S	TBA	7700.226S	TBA
Carbon	Silicon Carbide	EP	2	7700.235E	TBA	7700.236E	TBA
Carbon	Silicon Carbide	Viton	2	7700.235V	7700-235V	7700.236V	TBA
Carbon	Silicon Carbide	Silicone	2	7700.235S	TBA	7700.236S	TBA
Silicon Carbide	Silicon Carbide	EP	2	7700.215E	TBA	7700.216E	TBA
Silicon Carbide	Silicon Carbide	Viton	2	7700.215V	7700-215V	7700.216V	TBA
Silicon Carbide	Silicon Carbide	Silicone	2	7700.215S	TBA	7700.216S	TBA

ROTARY FACE	STATIC SEAT	ELASTOMER	QTY	SX7NLD and SX7WLD	
				PART No.	ITEM No.
Carbon	Stainless Steel	EP	2	7700.227E	TBA
Carbon	Stainless Steel	Viton	2	7700.227V	TBA
Carbon	Stainless Steel	Silicone	2	7700.227S	TBA
Carbon	Silicon Carbide	EP	2	7700.237E	TBA
Carbon	Silicon Carbide	Viton	2	7700.237V	7700-237V
Carbon	Silicon Carbide	Silicone	2	7700.237S	TBA
Silicon Carbide	Silicon Carbide	EP	2	7700.217E	TBA
Silicon Carbide	Silicon Carbide	Viton	2	7700.217V	7700-217V
Silicon Carbide	Silicon Carbide	Silicone	2	7700.217S	TBA

Operating Manual

R00 SINGLE FLUSHED MECHANICAL SEAL (Component Parts) SX1-SX2 Pump Range

ITEM	DESCRIPTION
1	Wave spring
2	Squad ring
3	Rotary face
4	Cup seal
5	Static seat
6	Static seat 'O' ring
7	Flush sealing device
8	Circlip



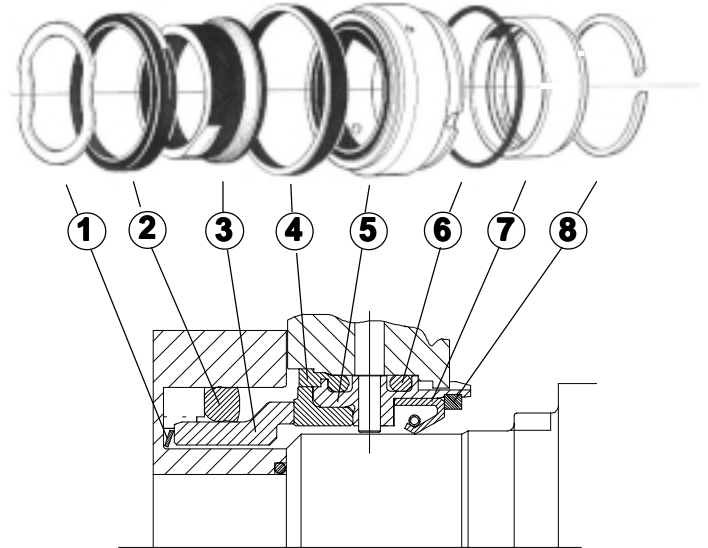
When needing to replace either the Rotary Face (3) or Static Seat (5), both parts should be renewed at the same time.

DRAWING ITEM No.	DESCRIPTION	QTY	SX1NLD and SX1WLD		SX2NLD and SX2WLD		
			PART No.	ITEM No.	PART No.	ITEM No.	
1	Wave spring	2	R6300.051	9630075413	R6300.052	9630075425	
2	Squad ring	EP	2	5383.105	9630069434	5383.205	9630069435
		Viton	2	5383.101	9630069440	5383.201	9630069654
		Silicone	2	5383.104	9630069437	5383.204	9630069438
3	Rotary face	Carbon	2	R5610.141	9630075409	R5610.142	R5610-142
		Silicon Carbide	2	R5610.121	9630069795	R5610.122	9630069796
4	Cup seal	EP	2	5282.105	9630096424	5282.205	9630096425
		Viton	2	5382.101	9630069429	5382.201	9630069430
		Silicone	2	5382.104	9630069427	5382.204	9630069428
5	Static seat	Stainless Steel	2	R5630.171	9630075645	R5630.172	9630075646
		Silicon Carbide	2	R5630.111	9630069802	R5630.122	9630069810
6	Static seat 'O' ring	EP	2	1555.123	9630037138	1555.111	9630023503
		Viton	2	1551.123	1551-123	1551.131	1551-131
		Silicone	2	1554.123	9630043327	1554.131	9630074739
7	Flush sealing device	Viton	2	5320.021	9630075620	5320.022	5320-022
8	Circlip		2	5100.021	9630075613	5100.022	9630075614

Operating Manual

R00 SINGLE FLUSHED MECHANICAL SEAL (Component Parts) SX3-SX4 Pump Range

ITEM	DESCRIPTION
1	Wave spring
2	Squad ring
3	Rotary face
4	Cup seal
5	Static seat
6	Static seat 'O' ring
7	Flush sealing device
8	Circlip



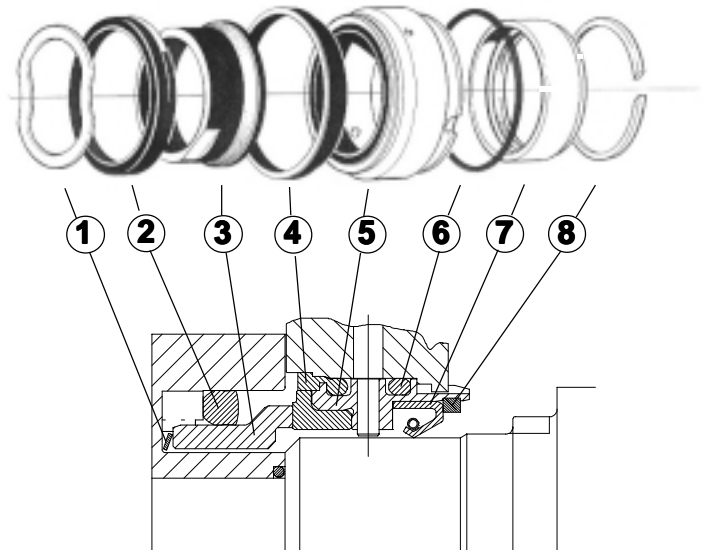
When needing to replace either the Rotary Face (3) or Static Seat (5), both parts should be renewed at the same time.

DRAWING ITEM No.	DESCRIPTION	QTY	SX3NLD and SX3WLD		SX4NLD and SX4WLD	
			PART No.	ITEM No.	PART No.	ITEM No.
1	Wave spring	2	R6300.053	9630075429	R6300.054	9630075433
2	Squad ring	2	5383.305	9630069433	5383.405	9630069436
		2	5383.301	9630069442	5383.401	9630069444
		2	5383.304	9630069439	5383.404	9630069443
3	Rotary face	2	R5610.143	R5610-143	R5610.144	9630075431
		2	R5610.123	9630069797	R5610.124	9630069798
4	Cup seal	2	5282.305	9630096421	5282.405	9630096426
		2	5382.301	9630069423	5382.401	9630069432
		2	5382.304	9630069422	5382.404	9630069431
5	Static seat	2	R5630.173	9630075647	R5630.174	9630075648
		2	R5630.113	R5630-113	R5630.114	9630069805
6	Static seat 'O' ring	2	1555.134	8831555134	1555.144	8831555144
		2	1551.134	8831551134	1551.144	8831551144
		2	1554.134	9630074204	1554.144	9630071262
7	Flush sealing device	2	5320.023	5320-023	5320.024	9630075623
8	Circlip	2	5100.023	9630075615	5100.024	9630075616

Operating Manual

R00 SINGLE FLUSHED MECHANICAL SEAL (Component Parts) SX5-SX6 Pump Range

ITEM	DESCRIPTION
1	Wave spring
2	Squad ring
3	Rotary face
4	Cup seal
5	Static seat
6	Static seat 'O' ring
7	Flush sealing device
8	Circlip



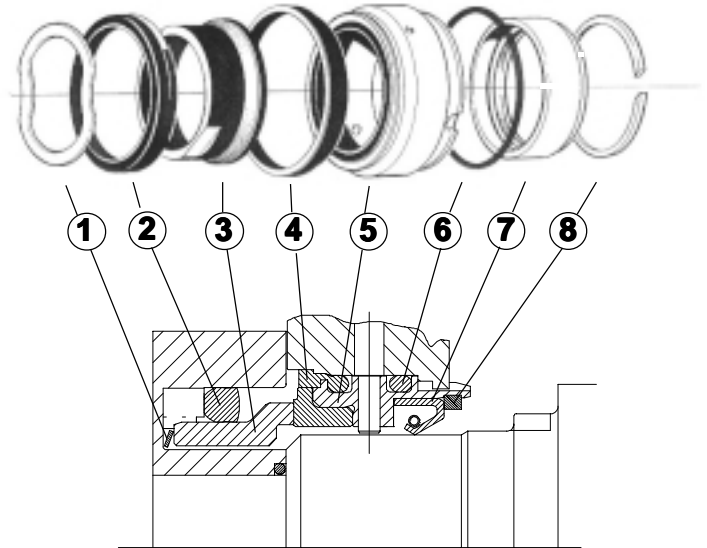
When needing to replace either the Rotary Face (3) or Static Seat (5), both parts should be renewed at the same time.

DRAWING ITEM No.	DESCRIPTION	QTY	SX5NLD and SX5WLD		SX6NLD and SX6WLD		
			PART No.	ITEM No.	PART No.	ITEM No.	
1	Wave spring	2	R6300.055	9630075437	R6300.056	9630075441	
2	Squad ring	EP	2	5383.505	5383-505	5383.605	9630069870
		Viton	2	5383.501	9630069868	5383.601	9630069872
		Silicone	2	5383.504	9630069869	5383.604	9630069873
3	Rotary face	Carbon	2	R5610.145	R5610-145	R5610.146	9630075439
		Silicon Carbide	2	R5610.125	9630069799	R5610.126	9630069800
4	Cup seal	EP	2	5282.505	5282-505	5282.605	9630096859
		Viton	2	5382.501	9630069861	5382.601	9630069863
		Silicone	2	5382.504	9630069862	5382.604	9630069864
5	Static seat	Stainless Steel	2	R5630.175	9630075649	R5630.176	9630075650
		Silicon Carbide	2	R5630.115	R5630-115	R5630.116	9630069807
6	Static seat 'O' ring	EP	2	1555.234	9630022854	1555.238	9630037171
		Viton	2	1551.234	1551-234	1551.238	9630037174
		Silicone	2	1554.234	9630042618	1554.238	9630074740
7	Flush sealing device	Viton	2	5320.025	5320-025	5320.026	9630075625
8	Circlip		2	5100.025	9630075617	5100.026	9630075618

Operating Manual

R00 SINGLE FLUSHED MECHANICAL SEAL (Component Parts) SX7 Pump Range

ITEM	DESCRIPTION
1	Wave spring
2	Squad ring
3	Rotary face
4	Cup seal
5	Static seat
6	Static seat 'O' ring
7	Flush sealing device
8	Circlip



When needing to replace either the Rotary Face (3) or Static Seat (5), both parts should be renewed at the same time.

DRAWING ITEM No.	DESCRIPTION	QTY	SX7NLD and SX7WLD	
			PART No.	ITEM No.
1	Wave spring	2	R6300.057	9630075444
2	Squad ring	EP	2 5383.705	9630069871
		Viton	2 5383.701	9630069875
		Silicone	2 5383.704	9630069874
3	Rotary face	Carbon	2 R5610.147	9630075446
		Silicon Carbide	2 R5610.127	9630069801
4	Cup seal	EP	2 5282.705	9630096860
		Viton	2 5382.701	9630069865
		Silicone	2 5382.704	9630069866
5	Static seat	Stainless Steel	2 R5630.177	9630075651
		Silicon Carbide	2 R5630.117	9630069808
6	Static seat 'O' ring	EP	2 1555.244	9630037180
		Viton	2 1551.244	1551-244
		Silicone	2 1554.244	9630043332
7	Flush sealing device	Viton	2 5320.027	9630075626
8	Circlip		2 5100.027	9630075619