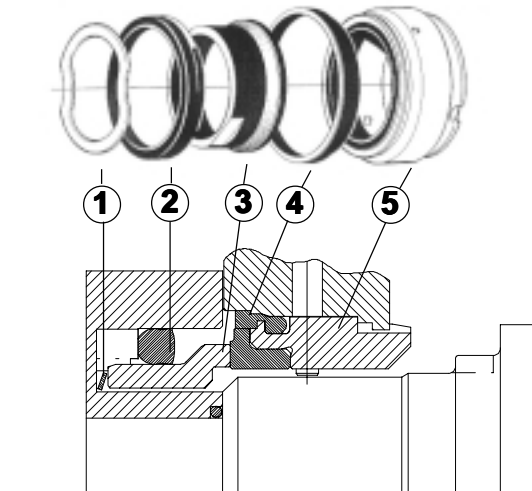


Operating Manual

R00 SINGLE MECHANICAL SEAL (Complete Seal Part Nos) SX1-SX4 Pump Range

This seal is only available on the SX pump range

ITEM	DESCRIPTION
1	Wave spring
2	Squad ring
3	Rotary face
4	Cup seal
5	Static seat



Complete Seal Kit comprises of all items 1-5

ROTARY FACE	STATIC SEAT	ELASTOMER	QTY	SX1NLD and SX1WLD		SX2NLD and SX2WLD	
				PART No.	ITEM No.	PART No.	ITEM No.
Carbon	Stainless Steel	EP	2	7700.101E	7700-101E	7700.102E	7700-102E
Carbon	Stainless Steel	Viton	2	7700.101V	7700-101V	7700.102V	7700-102V
Carbon	Stainless Steel	Silicone	2	7700.101S	TBA	7700.102S	TBA
Carbon	Silicon Carbide	EP	2	7700.191E	7700-191E	7700.192E	7700-192E
Carbon	Silicon Carbide	Viton	2	7700.191V	7700-191V	7700.192V	7700-192V
Carbon	Silicon Carbide	Silicone	2	7700.191S	TBA	7700.192S	TBA
Silicon Carbide	Silicon Carbide	EP	2	7700.201E	7700-201E	7700.202E	7700-202E
Silicon Carbide	Silicon Carbide	Viton	2	7700.201V	7700-201V	7700.202V	7700-202V
Silicon Carbide	Silicon Carbide	Silicone	2	7700.201S	TBA	7700.202S	TBA

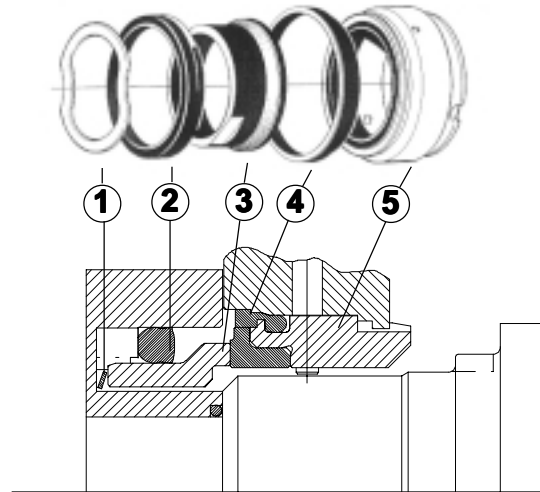
ROTARY FACE	STATIC SEAT	ELASTOMER	QTY	SX3NLD and SX3WLD		SX4NLD and SX4WLD	
				PART No.	ITEM No.	PART No.	ITEM No.
Carbon	Stainless Steel	EP	2	7700.103E	7700-103E	7700.104E	7700-104E
Carbon	Stainless Steel	Viton	2	7700.103V	7700-103V	7700.104V	7700-104V
Carbon	Stainless Steel	Silicone	2	7700.103S	TBA	7700.104S	TBA
Carbon	Silicon Carbide	EP	2	7700.193E	7700-193E	7700.194E	7700-194E
Carbon	Silicon Carbide	Viton	2	7700.193V	7700-193V	7700.194V	7700-194V
Carbon	Silicon Carbide	Silicone	2	7700.193S	TBA	7700.194S	TBA
Silicon Carbide	Silicon Carbide	EP	2	7700.203E	7700-203E	7700.204E	7700-204E
Silicon Carbide	Silicon Carbide	Viton	2	7700.203V	7700-203V	7700.204V	7700-204V
Silicon Carbide	Silicon Carbide	Silicone	2	7700.203S	TBA	7700.204S	7700-204S

Operating Manual

R00 SINGLE MECHANICAL SEAL (Complete Seal Part Nos) SX5-SX7 Pump Range

This seal is only available on the SX pump range

ITEM	DESCRIPTION
1	Wave spring
2	Squad ring
3	Rotary face
4	Cup seal
5	Static seat



Complete Seal Kit comprises of all items 1-5

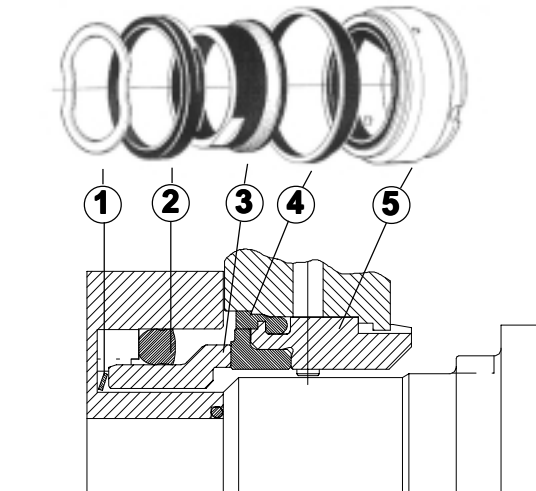
ROTARY FACE	STATIC SEAT	ELASTOMER	QTY	SX5NLD and SX5WLD		SX6NLD and SX6WLD	
				PART No.	ITEM No.	PART No.	ITEM No.
Carbon	Stainless Steel	EP	2	7700.105E	7700-105E	7700.102E	7700-106E
Carbon	Stainless Steel	Viton	2	7700.105V	7700-105V	7700.102V	7700-106V
Carbon	Stainless Steel	Silicone	2	7700.105S	TBA	7700.102S	TBA
Carbon	Silicon Carbide	EP	2	7700.195E	7700-195E	7700.192E	7700-196E
Carbon	Silicon Carbide	Viton	2	7700.195V	7700-195V	7700.192V	7700-196V
Carbon	Silicon Carbide	Silicone	2	7700.195S	TBA	7700.192S	TBA
Silicon Carbide	Silicon Carbide	EP	2	7700.205E	7700-205E	7700.202E	7700-206E
Silicon Carbide	Silicon Carbide	Viton	2	7700.205V	7700-205V	7700.202V	7700-206V
Silicon Carbide	Silicon Carbide	Silicone	2	7700.205S	TBA	7700.202S	TBA

TBA	STATIC SEAT	ELASTOMER	QTY	SX7NLD and SX7WLD	
				PART No.	ITEM No.
Carbon	Stainless Steel	EP	2	7700.107E	7700-107E
Carbon	Stainless Steel	Viton	2	7700.107V	TBA
Carbon	Stainless Steel	Silicone	2	7700.107S	TBA
Carbon	Silicon Carbide	EP	2	7700.197E	TBA
Carbon	Silicon Carbide	Viton	2	7700.197V	TBA
Carbon	Silicon Carbide	Silicone	2	7700.197S	TBA
Silicon Carbide	Silicon Carbide	EP	2	7700.207E	TBA
Silicon Carbide	Silicon Carbide	Viton	2	7700.207V	TBA
Silicon Carbide	Silicon Carbide	Silicone	2	7700.207S	TBA

Operating Manual

R00 SINGLE MECHANICAL SEAL (Component Parts) SX1-SX4 Pump Range

ITEM	DESCRIPTION
1	Wave spring
2	Squad ring
3	Rotary face
4	Cup seal
5	Static seat



When needing to replace either the Rotary Face (3) or Static Seat (5), both parts should be renewed at the same time.

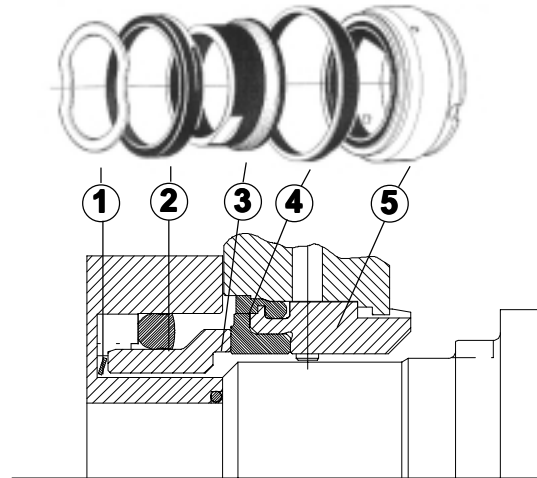
DRAWING ITEM No.	DESCRIPTION	QTY	SX1NLD and SX1WLD		SX2NLD and SX2WLD		
			PART No.	ITEM No.	PART No.	ITEM No.	
1	Wave spring	2	R6300.051	9630075413	R6300.052	9630075425	
2	Squad ring	EP	2	5383.105	9630069434	5383.205	9630069435
		Viton	2	5383.101	9630069440	5383.201	9630069654
		Silicone	2	5383.104	9630069437	5383.204	9630069438
3	Rotary face	Carbon	2	R55610.141	9630075409	R55610.142	R5610-142
		Silicon Carbide	2	R5610.121	9630069795	R5610.122	9630069796
4	Cup seal	EP	2	5282.105	9630096424	5282.205	9630096425
		Viton	2	5382.101	9630069429	5382.201	9630069430
		Silicone	2	5382.104	9630069427	5382.204	9630069428
5	Static seat	Stainless Steel	2	R5630.151	9630075411	R5630.152	R5630-152
		Silicon Carbide	2	R5630.121	9630069809	R5630.122	9630069810

DRAWING ITEM No.	DESCRIPTION	QTY	SX3NLD and SX3WLD		SX4NLD and SX4WLD		
			PART No.	ITEM No.	PART No.	ITEM No.	
1	Wave spring	2	R6300.053	9630075429	R6300.054	9630075433	
2	Squad ring	EP	2	5383.305	9630069433	5383.405	9630069436
		Viton	2	5383.301	9630069442	5383.401	9630069444
		Silicone	2	5383.304	9630069439	5383.404	9630069443
3	Rotary face	Carbon	2	R5610.143	R5610-143	R55610.144	9630075431
		Silicon Carbide	2	R5610.123	9630069797	R5610.124	9630069798
4	Cup seal	EP	2	5282.305	9630096421	5282.405	9630096426
		Viton	2	5382.301	9630069423	5382.401	9630069432
		Silicone	2	5382.304	9630069422	5382.404	9630069431
5	Static seat	Stainless Steel	2	R5630.153	R5630-153	R5630.154	9630075432
		Silicon Carbide	2	R5630.123	9630069811	R5630.124	9630069812

Operating Manual

R00 SINGLE MECHANICAL SEAL (Component Parts) SX5-SX7 Pump Range

ITEM	DESCRIPTION
1	Wave spring
2	Squad ring
3	Rotary face
4	Cup seal
5	Static seat



When needing to replace either the Rotary Face (3) or Static Seat (5), both parts should be renewed at the same time.

DRAWING ITEM No.	DESCRIPTION	QTY	SX5NLD and SX5WLD		SX6NLD and SX6WLD		
			PART No.	ITEM No.	PART No.	ITEM No.	
1	Wave spring	2	R6300.055	9630075437	R6300.056	9630075441	
2	Squad ring	EP	2	5383.505	5383-505	5383.605	9630069870
		Viton	2	5383.501	9630069868	5383.601	9630069872
		Silicone	2	5383.504	9630069869	5383.604	9630069873
3	Rotary face	Carbon	2	R5610.145	R5610-145	R55610.146	9630075439
		Silicon Carbide	2	R5610.125	9630069799	R5610.126	9630069800
4	Cup seal	EP	2	5282.505	5282-505	5282.605	9630069859
		Viton	2	5382.501	9630069861	5382.601	9630069863
		Silicone	2	5382.504	9630069862	5382.604	9630069864
5	Static seat	Stainless Steel	2	R5630.155	R5630-155	R5630.156	9630075440
		Silicon Carbide	2	R5630.125	9630069813	R5630.126	9630069814

DRAWING ITEM No.	DESCRIPTION	QTY	SX7NLD and SX7WLD		
			PART No.	ITEM No.	
1	Wave spring	2	R6300.057	9630075444	
2	Squad ring	EP	2	5383.705	9630069871
		Viton	2	5383.701	9630069875
		Silicone	2	5383.704	9630069874
3	Rotary face	Carbon	2	R5610.147	9630075446
		Silicon Carbide	2	R5610.127	9630069801
4	Cup seal	EP	2	5282.705	9630069860
		Viton	2	5382.701	9630069865
		Silicone	2	5382.704	9630069866
5	Static seat	Stainless Steel	2	R5630.157	9630075447
		Silicon Carbide	2	R5630.127	9630069815