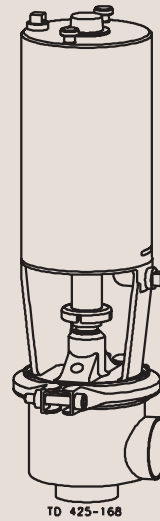
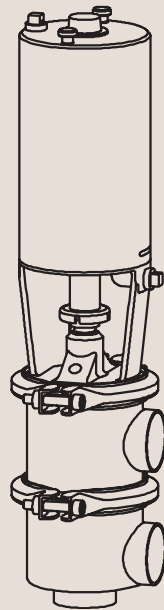




Instruction Manual

SRC Sanitary Remote-Controlled Valve



Declaration of Conformity

The designating company

Alfa Laval

Company Name

6000 Kolding

Address

+45 79 32 22 00

Phone No.

hereby declare that

SANITARY REMOTE-CONTROLLED VALVE

Denomination

SRC

Type

Year

Was manufactured in conformity with the provisions in the COUNCIL DIRECTIVE on mutual approximation of the laws of the Member States on the safety of machines (98/37/EC) with special reference to Annex 1 of the directive on essential safety and health requirements in relation to the construction and manufacture of machines.

The valve is in compliance with the Pressure Equipment Directive 97/23/EC and was subjected to the following assessment procedure Module A. Diameters \geq DN125 may not be used for fluids group 1.

Bjarne Søndergaard

Name

Vice President, R & D

Title

Alfa Laval

Company

B. Søndergaard

Signature

Designation

CE

The information contained herein is correct at the time of issue but may be subject to change without prior notice.

1. Safety	6
1.1 Important information	6
1.2 Warning signs	6
1.3 Safety precautions	7
2. Installation	8
2.1 Unpacking/Delivery	8
2.2 Recommended auxiliary equipment (DN125-150)	9
2.3 General installation	10
2.4 Welding	12
2.5 Fitting of oil damper, DN/OD25-101.6 mm/DN25-100, optional extra	14
3. Operation	16
3.1 Operation	16
3.2 Fault finding	18
3.3 Recommended cleaning	19
4. Maintenance	21
4.1 General maintenance	21
4.2 Dismantling of valve	23
4.3 Assembly of valve	25
4.4 Dismantling of actuator	27
4.5 Assembly of actuator	28
5. Technical data	29
5.1 Technical data	29
6. Parts list and Service Kits	31
6.1 Drawings	31
6.2 SRC - Stop Valve DN/OD25 mm/DN 25	34
6.3 SRC - Change-over Valve DN/OD25 mm/DN 25	36
6.4 SRC - Stop Valve DN/OD38mm-101.6 mm/DN40-DN100	38
6.5 SRC - Change-over Valve DN/OD38mm-101.6 mm/DN40-DN100	40
6.6 SRC - Stop Valve DN125-DN150	42
6.7 SRC - Change-over Valve DN125-DN150	44
6.8 Oil Damper for SRC 25-101.6mm/DN25-100 (optional extra)	46
6.9 Indication Units for SRC 25-101.6mm/DN25-100 (optional extra) ...	48

1.1 Important information

1.2 Warning signs

*Unsafe practices and other important information are emphasized in this manual.
Warnings are emphasized by means of special signs.*

Always read the manual before using the valve!

WARNING!

Indicates that special procedures **must** be followed to avoid severe personal injury.

CAUTION!

Indicates that special procedures **must** be followed to avoid damage to the valve.

NOTE!

Indicates important information to simplify or clarify practices.

General warning:



Caustic agents:



All warnings in the manual are summarized on this page.

Pay special attention to the instructions below so that severe personal injury and/or damage to the valve are avoided.

Installation

- **Always** read the technical data thoroughly (see chapter 5).
- **Always** release compressed air after use.
- **Never** touch the clip assembly or the actuator piston rod if the actuator is supplied with compressed air.
- **Never** touch the valve or the pipelines when processing hot liquids or when sterilizing.
- **Never** dismantle the valve with valve and pipelines under pressure.
- **Never** dismantle the valve when it is hot.



Operation

- **Never** dismantle the valve with valve and pipelines under pressure.
- **Never** dismantle the valve when it is hot.
- **Always** read the technical data thoroughly (chapter 5).
- **Always** release compressed air after use.
- **Never** touch the valve or the pipelines when processing hot liquids or when sterilizing.
- **Never** touch the clip assembly or the actuator piston rod if the actuator is supplied with compressed air.



Always handle lye and acid with great care.



Maintenance

- **Always** read the technical data thoroughly (chapter 5).
- **Always** release compressed air after use.
- **Never** service the valve when it is hot.
- **Never** service the valve with valve and pipelines under pressure.
- **Never** stick your fingers through the valve ports if the actuator is supplied with compressed air.
- **Never** touch the clip assembly or the actuator piston rod if the actuator is supplied with compressed air.



The instruction manual is part of the delivery. Study the instructions carefully.
 The items refer to the parts list and service kits section.
 The valve is supplied as separate parts as standard (for welding).
 The valve is assembled before delivery, if it is supplied with fittings.

Step 1

CAUTION!

Alfa Laval cannot be held responsible for incorrect unpacking.

Check the delivery for:

1. Complete valve, stop valve or change-over valve (see steps 2 and 3).
2. Delivery note.
3. Instruction Manual.

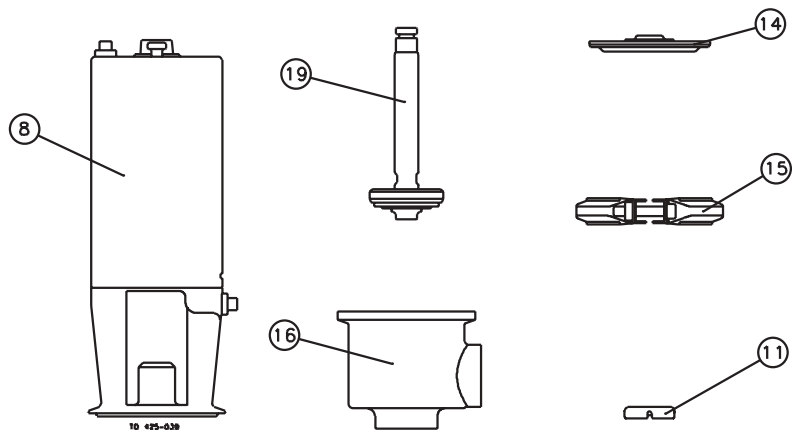
Please note that the design of sizes DN125-150 differs from that of sizes DN/OD25-101.6 mm/DN25-100. The differences can be seen in chapter 6.

The drawings in this manual show sizes DN/OD25-101.6 mm/DN25-100

Step 2

Stop valve:

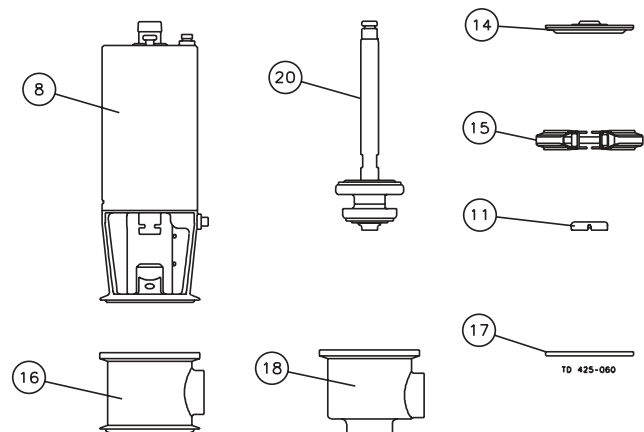
1. Complete actuator with bonnet (8).
2. Clip assembly (11).
3. Lip seal (14).
4. Clamp (15).
5. Valve plug (19).
6. Valve body (16).



Step 3

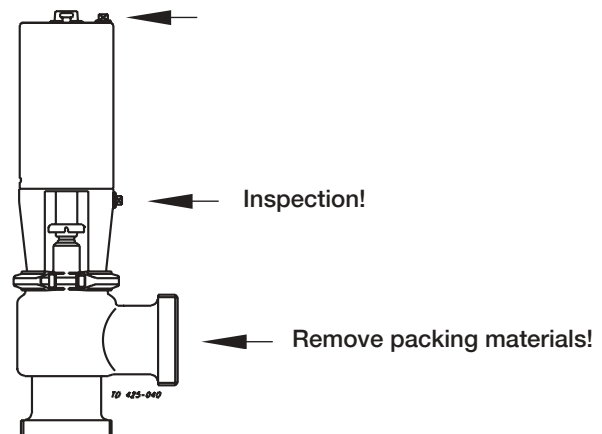
Change-over valve:

1. Complete actuator with bonnet (8).
2. Clip assembly (11).
3. Lip seal (14).
4. Two clamps (15).
5. Valve plug (20).
6. Two valve bodies (16, 18).
7. Valve body seal ring (17).



Step 4

- Remove possible packing materials from the valve/valve parts.
- Inspect the valve/valve parts for visible transport damages.
- Avoid damaging the valve/valve parts.



The valve sizes DN125-150 are very heavy. Therefore Alfa Laval recommends manufacturing and usage of auxiliary equipment. A proposal is given below. Please note that the auxiliary equipment cannot be supplied by Alfa Laval. The items refer to the parts list and service kits section.

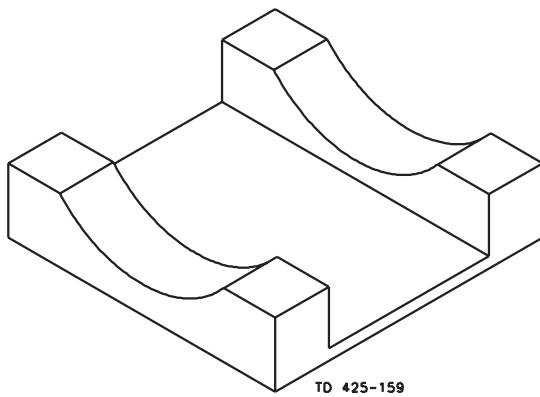
Step 1

For lifting the valve

Screw an eye bolt (6 mm) (1/4") into top pin (23). Using a small hook crane or similar, lift the valve by the eye bolt.

Trestle:

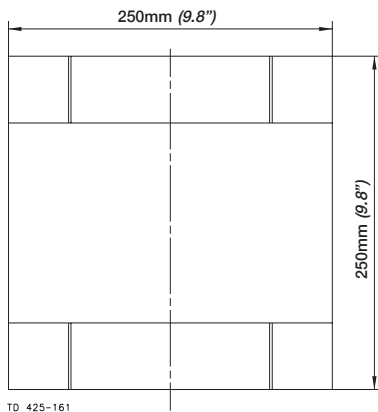
- The purpose of the trestle is to support the valve during dismantling and reassembly.
- The trestle is made of a base plate, two support plates, two rubber linings and four bolts.
- The rubber linings are attached to the support plates so that the valve/actuator will rest on these.
- To prevent the valve from turning during dismantling and assembly the trestle must be made with the correct measurements (see below). All measurements are in mm.



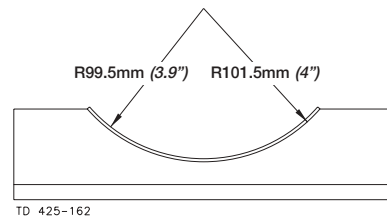
Trestle



Side view



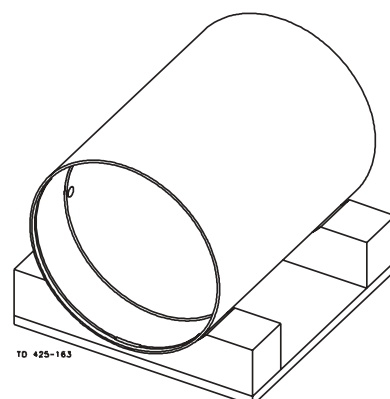
Top view



End view

Step 2

1. Place the valve in the trestle.
2. Make sure that the actuator rests on the rubber linings on the trestle/support plates.
3. Dismantle/reassemble the valve.



Study the instructions carefully and pay special attention to the warnings!
 The valve has welding ends as standard but can also be supplied with fittings.
 NO = Normally open. NC = Normally closed. A/A = Air/air activated.

Step 1



- **Always** read the technical data thoroughly (see chapter 5).
- **Always** release compressed air after use.

CAUTION!

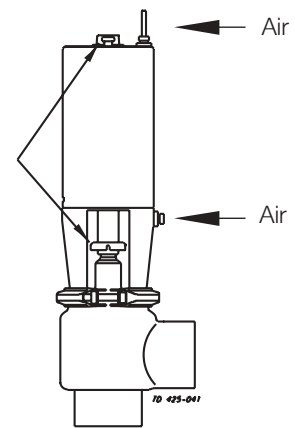
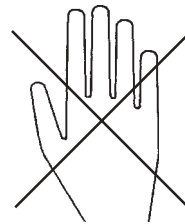
Alfa Laval cannot be held responsible for incorrect installation.

Step 2



Never touch the clip assembly or the actuator piston rod if the actuator is supplied with compressed air.

Moving parts!



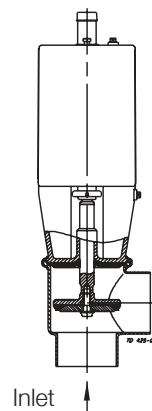
Step 3

It is recommended to install the valve so that:

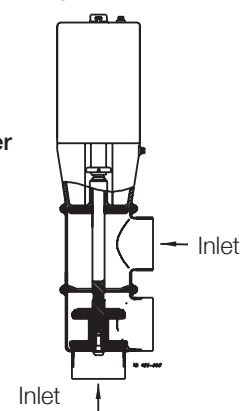
- The actuator is not turned downwards as the valve will then not be drained.
- The flow is against the closing direction to avoid water hammer.

Stop valve

Change-over valve



Avoid water hammer!



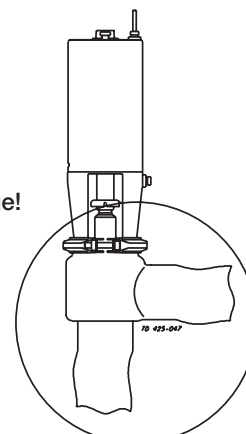
Step 4

Avoid stressing the valve.

Pay special attention to:

- Vibrations.
- Thermal expansion of the tubes.
- Excessive welding.
- Overloading of the pipelines.

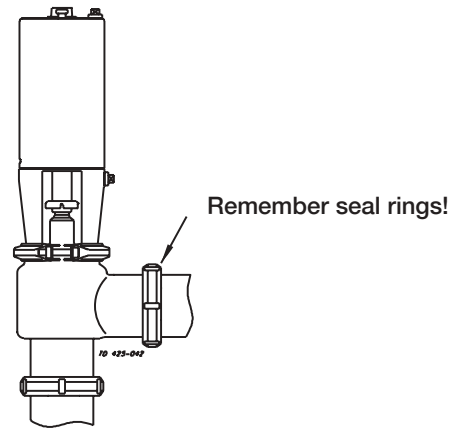
Risk of damage!



Step 5

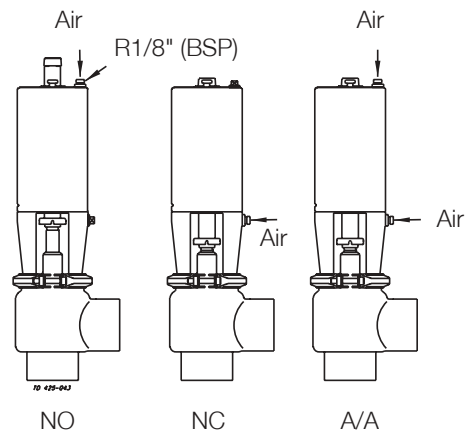
Fittings:

Ensure that the connections are tight.



Step 6

Air connection:



Study the instructions carefully.

The valve is supplied as separate parts to facilitate the welding.

The items refer to the parts list and service kits section. Check the valve for smooth operation after welding.

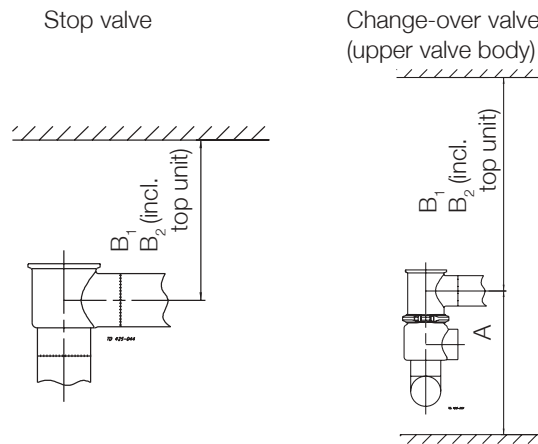
NO = Normally open. NC = Normally closed. A/A = Air/air activated.

Step 1

Always weld the valve so that the valve body seal ring can be replaced (change-over valve).

Maintain the minimum clearances (A and B) so that the lower valve body and plug (change-over valve) and the actuator with the internal parts can be removed.

Valve size	A (mm) (inch)	B ₁ (mm) (inch)	B ₂ (mm) (inch)
DN25/25 mm	200 (7.9)	537 (21.1)	647 (25.5)
DN40/38 mm	230 (9.1)	550 (21.7)	730 (28.7)
DN50/51 mm	290 (11.4)	550 (21.7)	730 (28.7)
DN65/63.5 mm	350 (13.8)	550 (21.7)	730 (28.7)
DN80/76.1 mm	390 (15.4)	600 (23.6)	780 (30.7)
DN100/101.6 mm	490 (19.3)	650 (25.6)	830 (32.7)
DN125	580 (22.8)	730 (28.7)	920 (36.2)
DN150	640 (25.1)	730 (28.7)	920 (36.2)

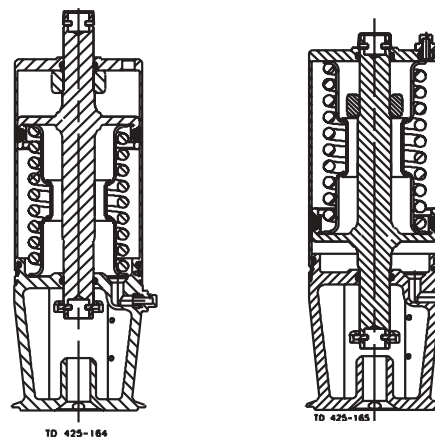


Step 2

SRC 25 mm stop valve

The 25 mm actuator is **only** for use on the SRC 25 mm stop valve.

Warning: When changing from NC to NO please note that the actuator is spring-loaded. For safety, place a "Spring-loaded" warning label (ordered from Technical Support at Alfa Laval) on the valve.

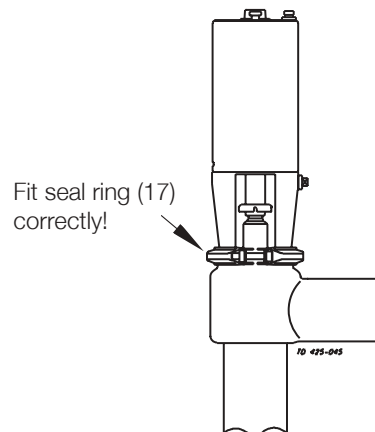


Step 3

Stop valve:

Assemble the valve in accordance with steps 1-5 in section 4.3.

Pay special attention to the warnings!

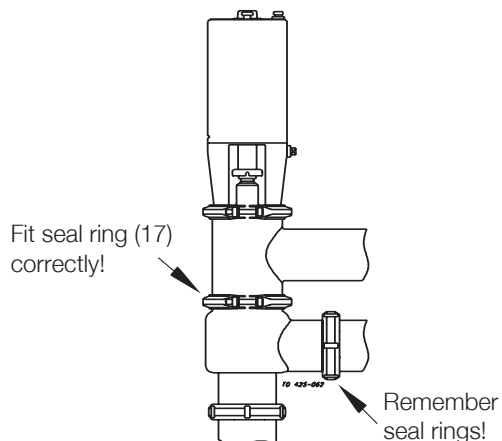


Step 4

Change-over valve:

Assemble the valve in accordance with the steps 1-6 in section 4.3.

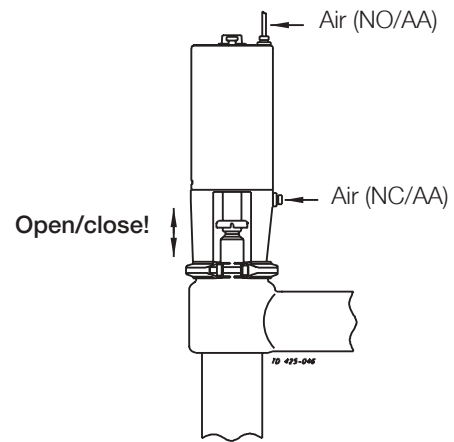
Pay special attention to the warnings!



Step 5**Pre-use check:**

1. Supply compressed air to the actuator.
2. Open and close the valve several times to ensure that it operates smoothly.

Pay special attention to the warnings!



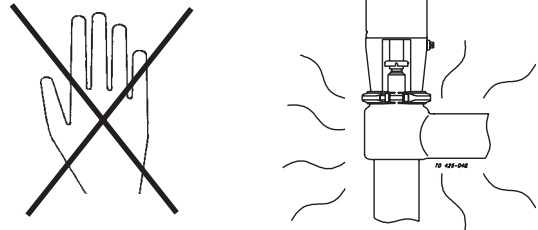
The valve can be fitted with an oil damper if water hammer occurs when the valve closes in the flow direction.
The items refer to the parts list and service kits section.
Study the instructions carefully and pay special attention to the warnings!
NC = normally closed. A/A = air/air activated.

Step 1



Never touch the valve or the pipelines when processing hot liquids or when sterilizing.

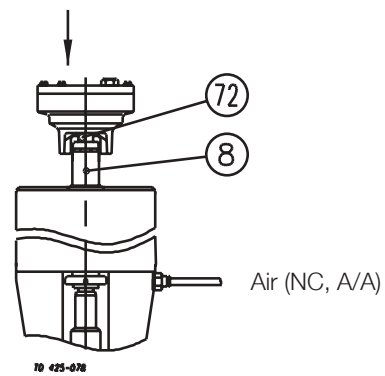
Burning danger!



Step 2

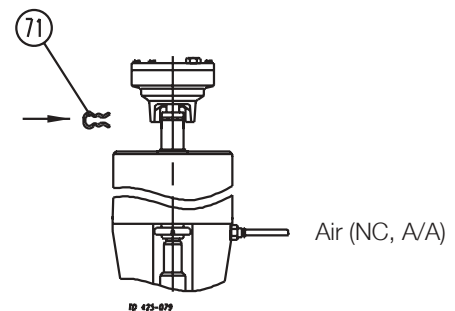
1. Supply compressed air to the actuator.
Pay special attention to the warnings!
2. Fit the damper so that damper piston rod (72) enters actuator piston rod (6).

Ensure that no other equipment is fitted on the actuator top!



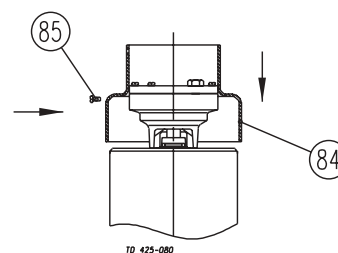
Step 3

1. Connect the two piston rods by means of clip (71).
2. Release compressed air to the actuator.
Pay special attention to the warnings!



Step 4

1. Fit protective hood (84) and tighten screw (85).
2. The valve is now ready for operation.



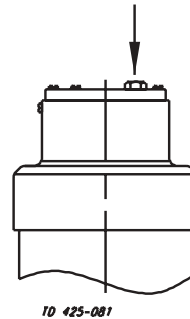
Step 5

Fill further oil through the plug hole if large air bubbles occur under the plexiglas cover.

NOTE!

There should be a small air bubble which equalizes changes in the pressure because of temperature changes.

Oil type SAE 40

**Step 6**

Removal/dismantling:

Remove the damper by following the instructions in reverse order.

Pre-use check:

1. Supply compressed air to the actuator.
2. Open and close the valve several times to ensure that it operates smoothly.

Pay special attention to the warnings!

Study the instructions carefully and pay special attention to the warnings!
 Ensure that the valve operates smoothly. The items refer to the parts list and service kits section.
 NO = Normally open. NC = Normally closed. A/A = Air/air activated.

Step 1

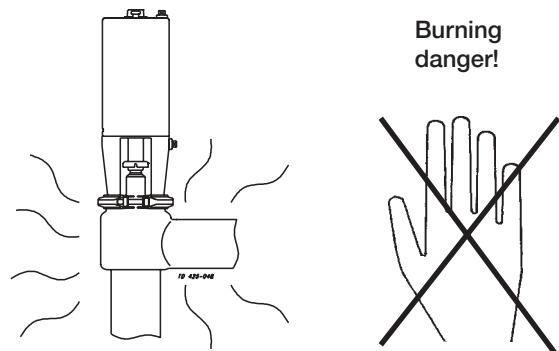
- **Always** read the technical data thoroughly (see chapter 5).
- **Always** release compressed air after use.

CAUTION!

Alfa Laval cannot be held responsible for incorrect operation.

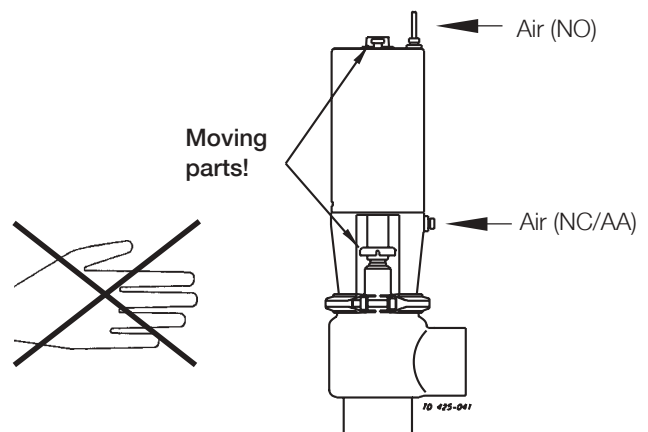
Step 2

Never touch the valve or the pipelines when processing hot liquids or when sterilizing.



Step 3

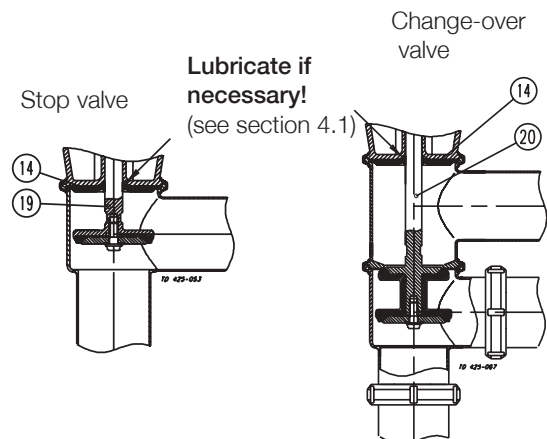
Never touch the clip assembly or the actuator piston rod if the actuator is supplied with compressed air.



Step 4

Lubrication of valve:

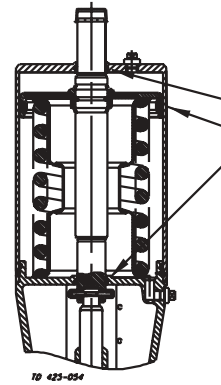
1. Ensure smooth movement between lip seal (14) and plug stem (19, 20).
2. Lubricate with silicone oil/grease if necessary.



Step 5

Lubrication of actuator

1. Ensure smooth movement of the actuator (the actuator is lubricated before delivery).
2. Lubricate with oil/grease if necessary.



Lubricate if necessary!
(see section 4.1)

Pay attention to possible faults.
Study the instructions carefully.
The items refer to the parts list and service kits section.

NOTE!

Study the maintenance instructions carefully before replacing worn parts. - See section 4.1!

Problem	Cause/result	Repair
The valve plug jerks	The sealings seize	Lubricate: <ul style="list-style-type: none"> - O-rings (2) - O-ring (5) and the inside of cylinder (3) - Lip seal (14)
Product leakage at stem and/or clamp	Worn/product affected lip seal (14) and/or seal ring (17)	<ul style="list-style-type: none"> - Replace the seals - Replace with seals of a different rubber grade
Product leakage (closed valve)	<ul style="list-style-type: none"> - Worn/product affected plug seal ring - Loose plug parts (vibrations) - Product deposits on the seat and/or plug 	<ul style="list-style-type: none"> - Replace the seal ring - Replace with a seal of a different rubber grade - Tighten the loose parts - Frequent cleaning
Product leakage (too high pressure or too small actuator)	<ul style="list-style-type: none"> - Worn actuator O-rings - Too small actuator or actuator spring 	<ul style="list-style-type: none"> - Replace the O-rings - Replace with a larger actuator (for valve sizes DN/OD38-63.5 mm/ DN40-65) - Fit a stronger spring (for valve sizes DN/OD38-63.5 mm/DN40-65) - Use auxiliary air on the spring side (NOT-element)
Water hammer	The flow direction is the same as the closing direction	<ul style="list-style-type: none"> - The flow direction should be against the closing direction - Fit a damper on the valve (optional extra) - Use auxiliary air on the spring side (NOT-element)
The valve does not open/close	<ul style="list-style-type: none"> - Faulty clip assembly (11) - The pressure on the plug is too high 	<ul style="list-style-type: none"> - Replace the clip assembly - Reduce the pressure - Fit stronger spring/larger actuator (for valve sizes DN/OD38-63.5 mm/ DN40-65)

The valve is designed for cleaning in place (CIP). CIP = Cleaning In Place.
 Study the instructions carefully and pay special attention to the warnings!
 NaOH = Caustic Soda.
 HNO₃ = Nitric acid.

Step 1



Always handle lye and acid with great care.

Caustic danger!



Always use rubber gloves!



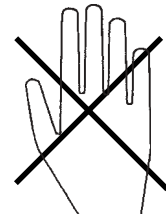
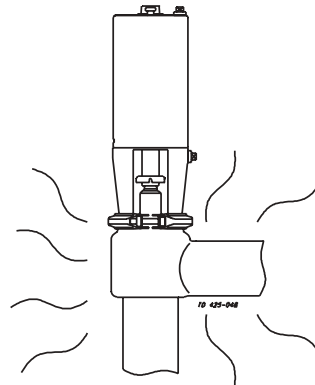
Always use protective goggles!

Step 2



Never touch the valve or the pipelines when sterilizing.

Burning danger!

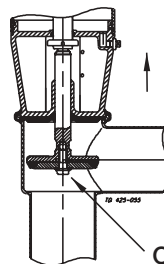


Step 3

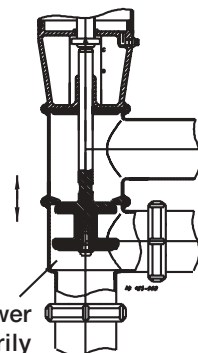
Clean the plug and the seats correctly.
Pay special attention to the warnings!

Stop valve

Change-over valve



Open!



Lift and lower momentarily (flip)!

Step 4

Examples of cleaning agents:

Use clean water, free from chlorides.

- 1% by weight NaOH at 70° C (158° F).

1 kg (2.2 lb) NaOH	+	100 l (26.4 gal) water	= Cleaning agent.
-----------------------	---	---------------------------	-------------------

2.2 l (0.6 gal) 33% NaOH	+	100 l (26.4 gal) water	= Cleaning agent.
-----------------------------	---	---------------------------	-------------------

- 0.5% by weight HNO₃ at 70° C (158° F).

0.7 l (0.2 gal) 53% HNO ₃	+	100 l (26.4 gal) water	= Cleaning agent.
---	---	---------------------------	-------------------

Step 5

1. Avoid excessive concentration of the cleaning agent
⇒ **Dose gradually!**
 2. Adjust the cleaning flow to the process
⇒ **Milk sterilization/viscous liquids**
⇒ **Increase the cleaning flow!**
 3. **Always** rinse well with clean water after the cleaning.
-

Step 6

NOTE!

The cleaning agents must be stored/disposed of in accordance with current rules/directives.

Maintain the valve regularly.

Study the instructions carefully and pay special attention to the warnings!

Always keep spare rubber seals and lip seals in stock.

Step 1



- **Always** read the technical data thoroughly (see chapter 5).
- **Always** release the compressed air after use.

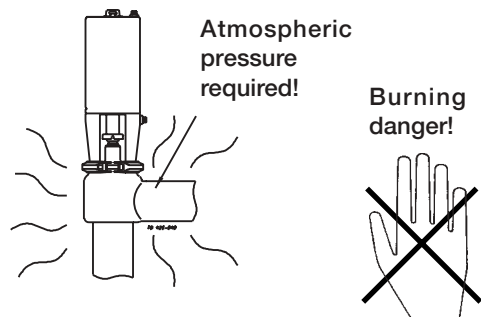
CAUTION!

All scrap must be stored/disposed of in accordance with current rules/directives.

Step 2



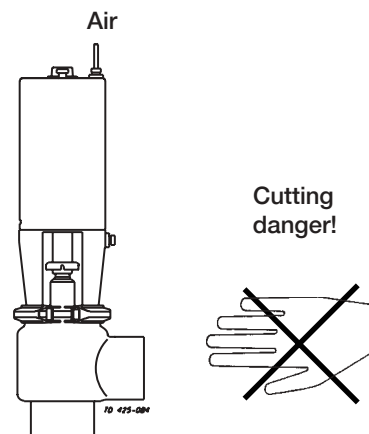
- **Never** service the valve when it is hot.
- **Never** service the valve with valve and pipelines under pressure.



Step 3



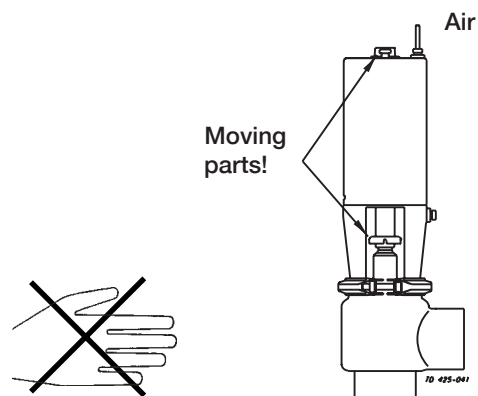
Never stick your fingers through the valve ports if the actuator is supplied with compressed air.



Step 4



Never touch the clip assembly or the actuator piston rod if the actuator is supplied with compressed air.



Maintain the valve regularly.

Study the instructions carefully.

Always keep spare rubber seals and lip seals stock. Check the valve for smooth operation after service.

NO = Normally open. NC = Normally closed. A/A = Air/air activated.

	Valve rubber seals	Valve lip seal	Actuator rubber seals
Preventive maintenance	Replace after 12 months	Replace when replacing the rubber seals	Replace after 5 years
Maintenance after leakage (leakage normally starts slowly)	Replace at the end of the day	Replace when replacing the rubber seals	Replace when possible
Planned maintenance	<ul style="list-style-type: none"> - Regular inspection for leakage and smooth operation - Keep a record of the valve - Use the statistics for planning of inspections Replace after leakage	Replace when replacing the rubber seals	<ul style="list-style-type: none"> - Regular inspection for leakage and smooth operation - Keep a record of the actuator - Use the statistics for planning of inspections Replace after leakage
Lubrication (USDA H1 approved oil/grease)	Before fitting Silicone oil or silicone grease	Before fitting Silicone oil or silicone grease	Before fitting Oil or grease

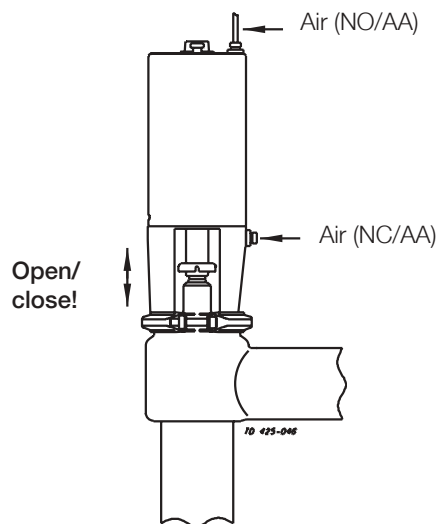
Pre-use check:

1. Supply compressed air to the actuator.
2. Open and close the valve several times to ensure that it operates smoothly.

Pay special attention to the warnings!

Ordering spare parts

Recommended spare parts: Service kits (see chapter 6).



Study the instructions carefully.

The items refer to the parts list and service kits section.

Handle scrap correctly.

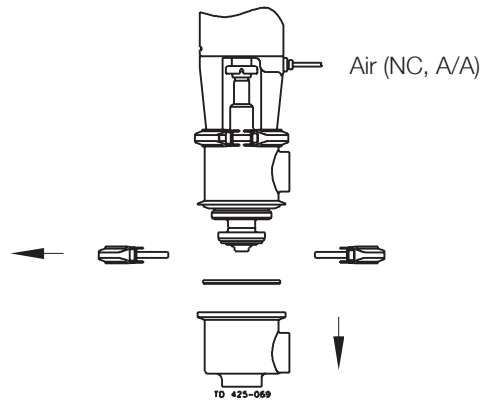
NC = Normally closed. NO = Normally open. A/A = Air/air activated.

Step 1

Change-over valve:

1. Supply compressed air to the actuator (Only NC).
2. Loosen and remove lower clamp (15).
3. Remove lower valve body (18).
4. Pull out seal ring (17).
5. Release compressed air.

Pay special attention to the warnings!

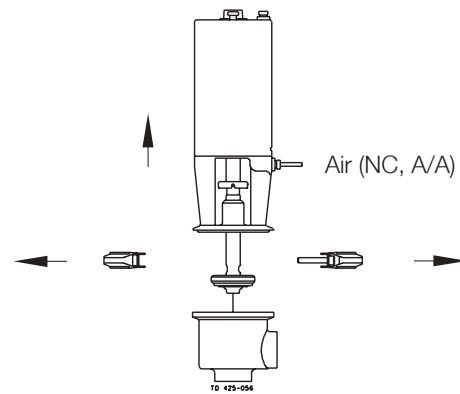


Step 2

Stop valve:

1. Supply compressed air to the actuator (Only NC).
2. Loosen and remove clamp (15).
3. Lift out the actuator.
4. Release compressed air.

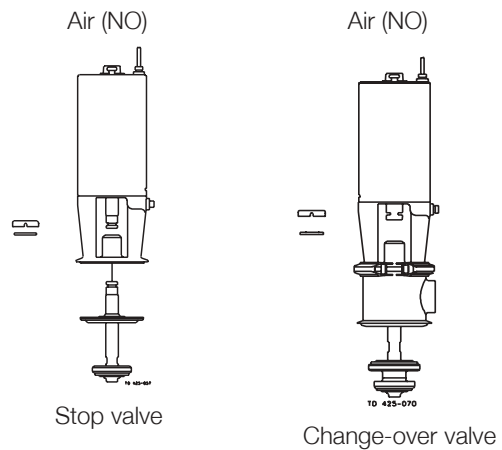
Pay special attention to the warnings!



Step 3

1. Supply compressed air to the actuator (only NO).
2. Remove clip assembly (11) by using plugs.
(For sizes DN125-150: Unscrew valve plug (19, 20)).
3. Remove valve plug (19, 20).
4. Release compressed air.

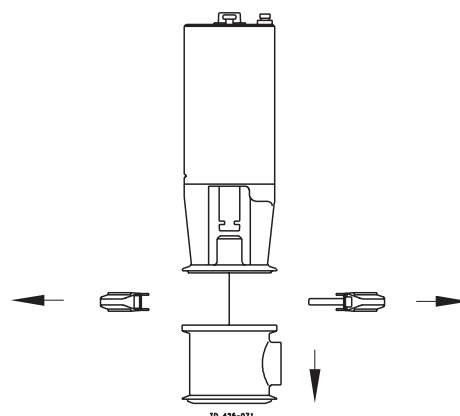
Pay special attention to the warnings!



Step 4

Change-over valve:

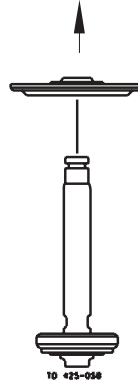
1. Remove upper clamp (15).
2. Remove upper valve body (16).



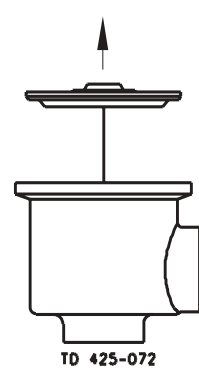
Step 5

Remove lip seal (14).
 (For sizes DN125-150: Remove lip seal (14) and guide ring (27)).

Stop valve



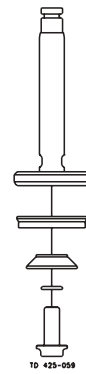
Change-over valve



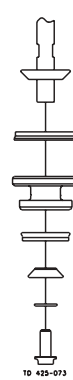
Step 6

1. Remove screw (19h, 20h).
2. Dismantle the complete valve plug.

Stop valve



Change-over valve



Study the instructions carefully.

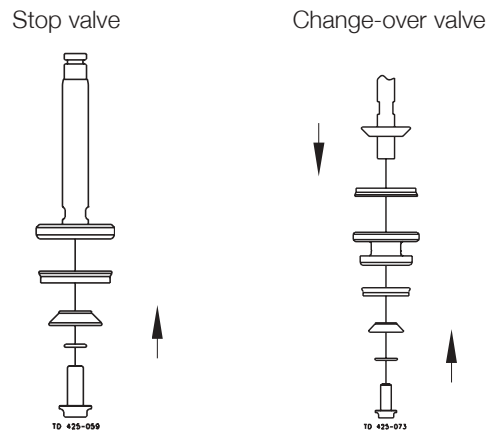
The items refer to the parts list and service kits section.

Lubricate the rubber seals and the lip seal before fitting them.

Lip seal (14) can be replaced by a special stem seal (sizes DN/OD25-101.6 mm/DN40-100).

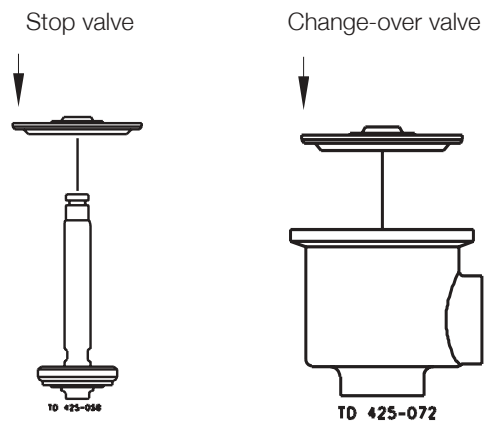
Step 1

1. Assemble the complete valve plug.
2. Fix screw (19h, 20h) by using loctite or something similar.



Step 2

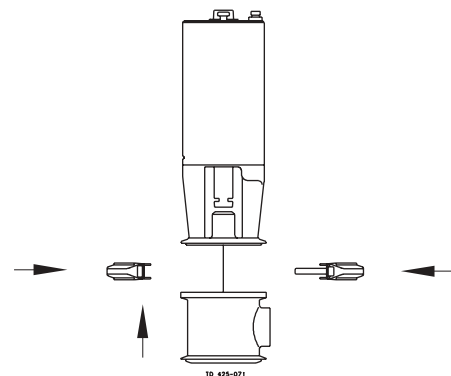
- Fit lip seal (14).
 (For sizes DN125-150: Fit guide ring (27) and lip seal (14)).



Step 3

Change-over valve:

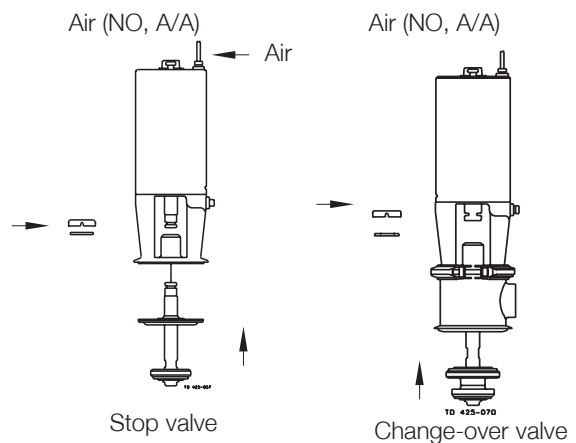
1. Assemble upper valve body (16) and the actuator.
2. Fit and tighten upper clamp (15).



Step 4

1. Fit the plastic ring of clip assembly (11) on the actuator piston rod.
2. Supply compressed air to the actuator (Only NO).
3. Fit valve plug (19, 20).
4. Fit and assemble clip assembly (11) by using pliers. (For sizes DN125-150: Screw together valve plug (20) and piston (6). Fix thread by using Loctite or something similar).
5. Release compressed air.

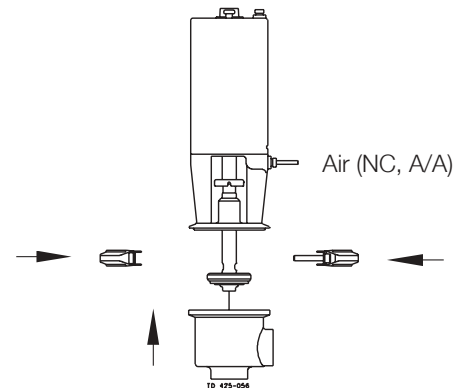
Pay special attention to the warnings!



Step 5**Stop valve:**

1. Supply compressed air to the actuator (only NC).
2. Fit the actuator.
3. Fit and tighten clamp (15).
4. Release compressed air.

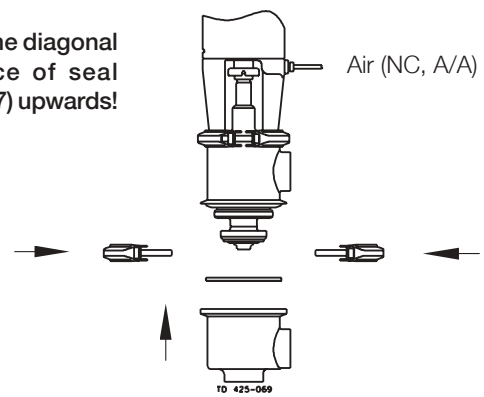
Pay special attention to the warnings!

**Step 6****Change-over valve:**

1. Fit seal ring (17) correctly in lower valve body (18).
2. Supply compressed air to the actuator (only NC).
3. Assemble lower and upper valve bodies (16, 18).
4. Fit and tighten lower clamp (15).
5. Release compressed air.

Pay special attention to the warnings!

Turn the diagonal surface of seal ring (17) upwards!



Study the instructions carefully.

The items refer to the parts list and service kits section. Handle scrap correctly.

NO = Normally open. NC = Normally closed. A/A = Air/air activated.

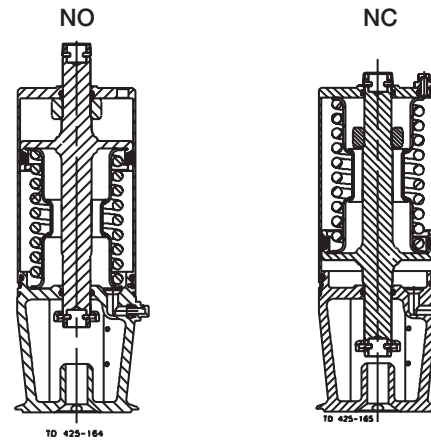
Service tool: See Spare Parts.

Step 1

SRC 25 mm stop valve

The 25 mm actuator is **only** for use on the SRC 25 mm stop valve.

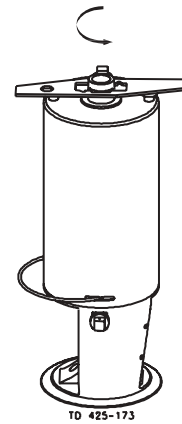
Warning: When changing from NC to NO please note that the actuator is spring-loaded. For safety, place a "Spring-loaded" warning label (ordered from Technical Support at Alfa Laval) on the valve.



Step 2

1. Rotate cylinder (3).
2. Remove lock wire (4).

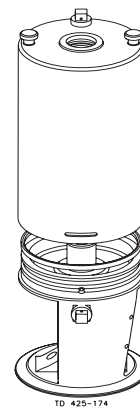
Rotate with the service tool!



Step 3

1. Remove cylinder (3).
2. Remove O-rings (2, 7) from bonnet (8) and cylinder (3).

(For sizes DN125-150 also remove O-ring (24) and guide rings (21, 25)).

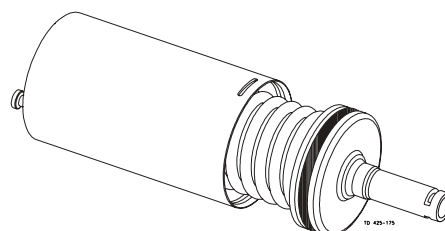


Step 4

1. Remove piston (6) and spring assembly (10).
2. Remove O-ring (5) from the piston.
(For sizes DN125-150 also remove guide ring (22) and top pin (23)).

NOTE!

The A/A actuator has no spring assembly.



Study the instructions carefully.

The items refer to the parts list and service kits section. Lubricate the rubber seals before fitting them.

A larger actuator is available for valve sizes DN/OD38-63.5 mm. The spring assembly can be replaced by a stronger one.

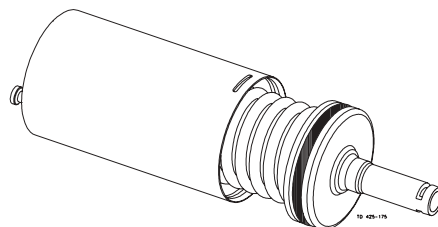
A/A = Air/air activated.

Step 1

1. Fit O-ring (5) on piston (6).
(For sizes DN125-150 also fit guide ring (22) and top pin (23)).
2. Fit the piston and spring assembly (10).

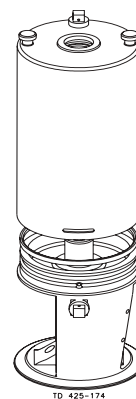
NOTE!

The A/A actuator has no spring assembly.



Step 2

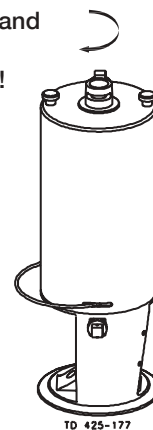
1. Fit O-rings (2, 7) in bonnet (8) and cylinder (3).
(For sizes DN125-150 also fit O-ring (24) and guide rings (21, 25)).
2. Fit the cylinder.



Step 3

1. Fit lock wire (4) through the slot in cylinder (3) into the hole in bonnet (8).
2. Rotate the cylinder 360° (see 4).

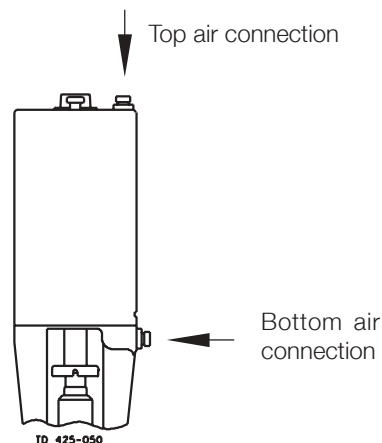
Rotate by hand
or with the
service tool!



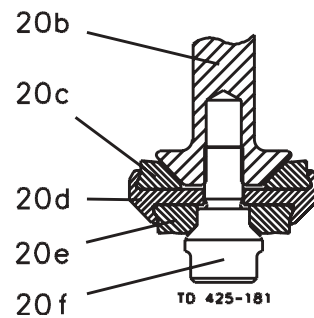
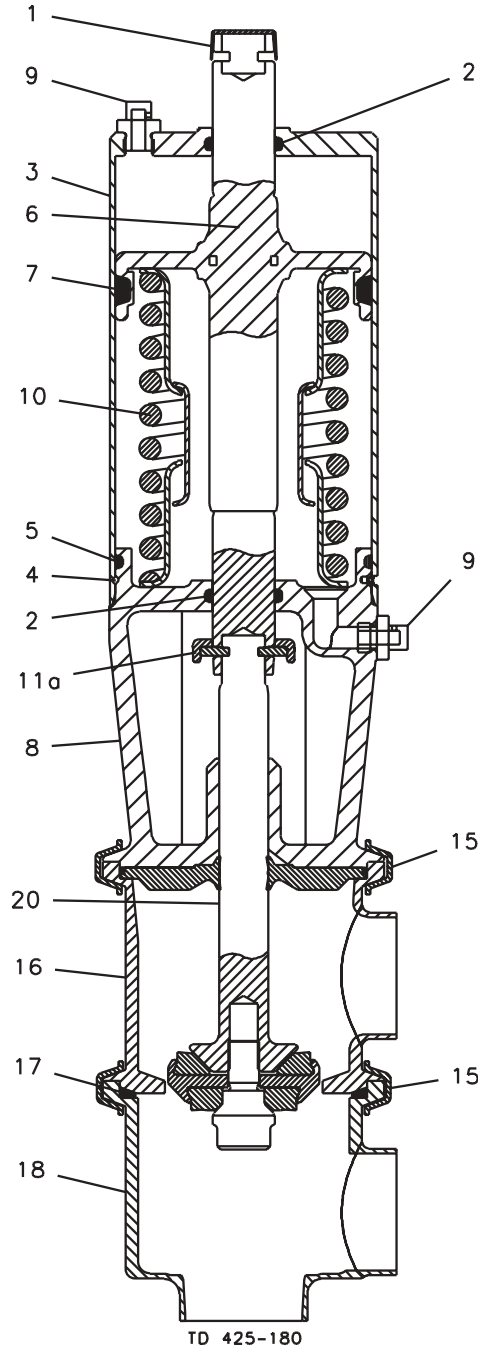
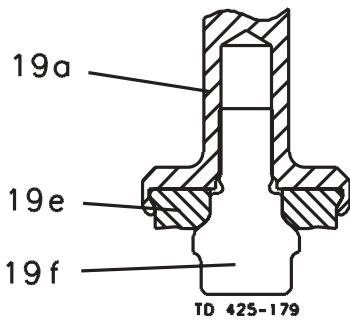
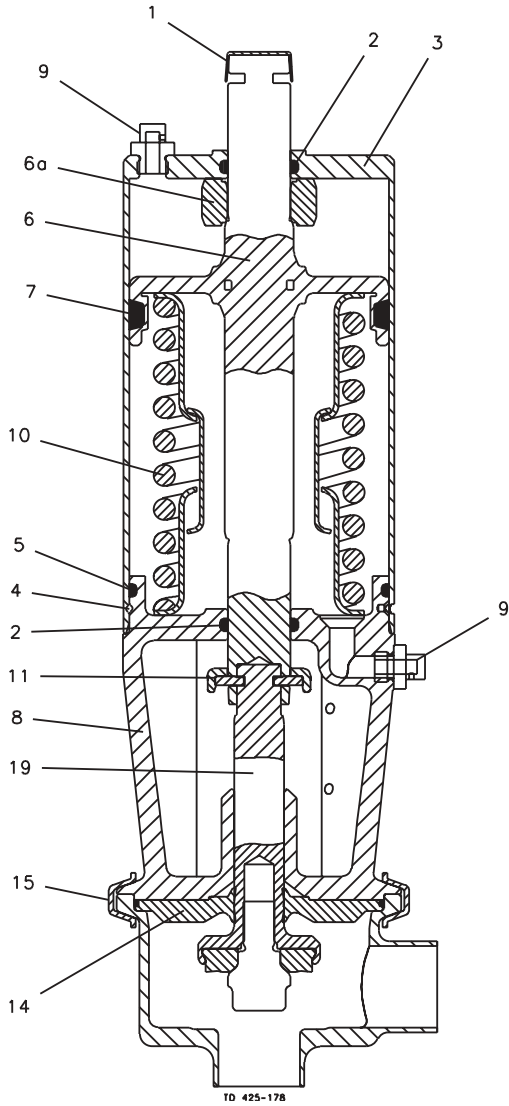
Step 4

NOTE!

It is recommended to rotate cylinder (3) further 180° in relation to bonnet (8) so that the top and bottom air connections are fixed on the same side.



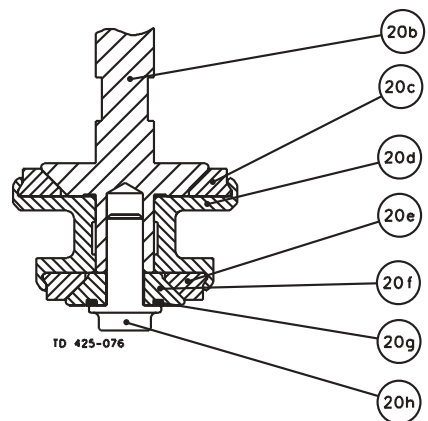
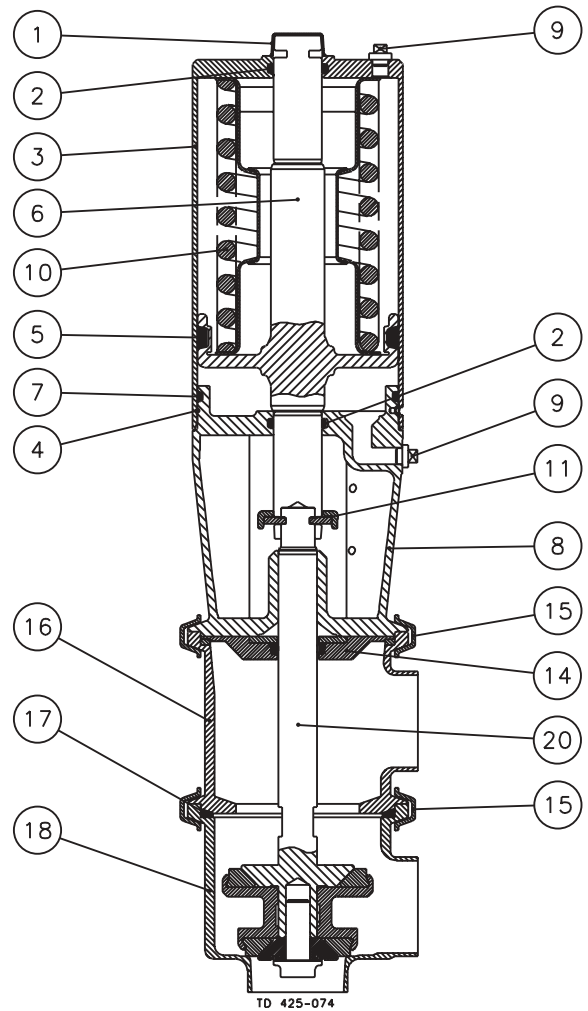
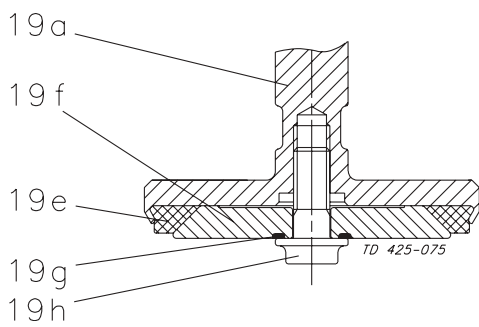
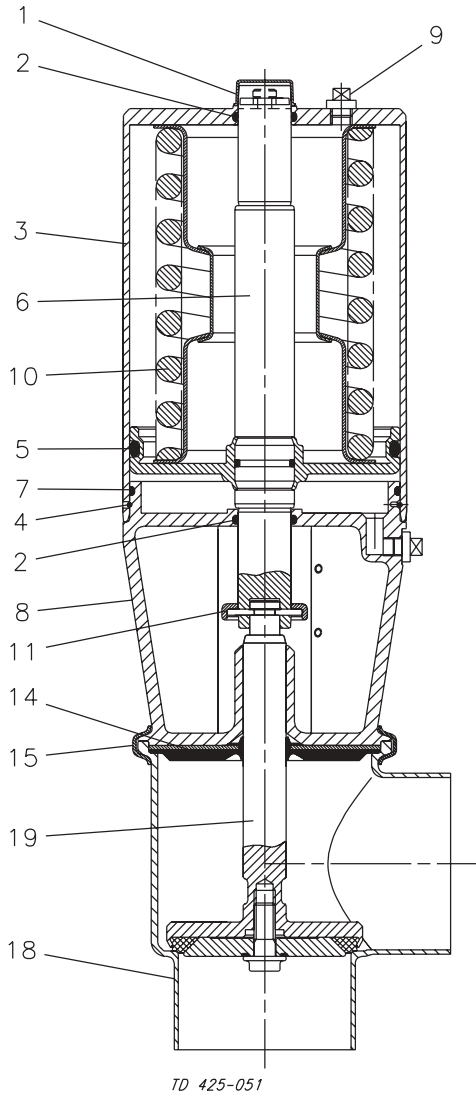
This page shows drawings of SRC, stop and change-over valves DN/OD25mm/DN 25.



DN/OD25 mm/DN25 Stop Valve, see section 6.2

DN/OD25 mm/DN25 Change-over Valve, see section 6.3

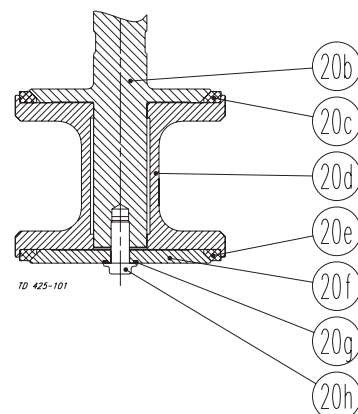
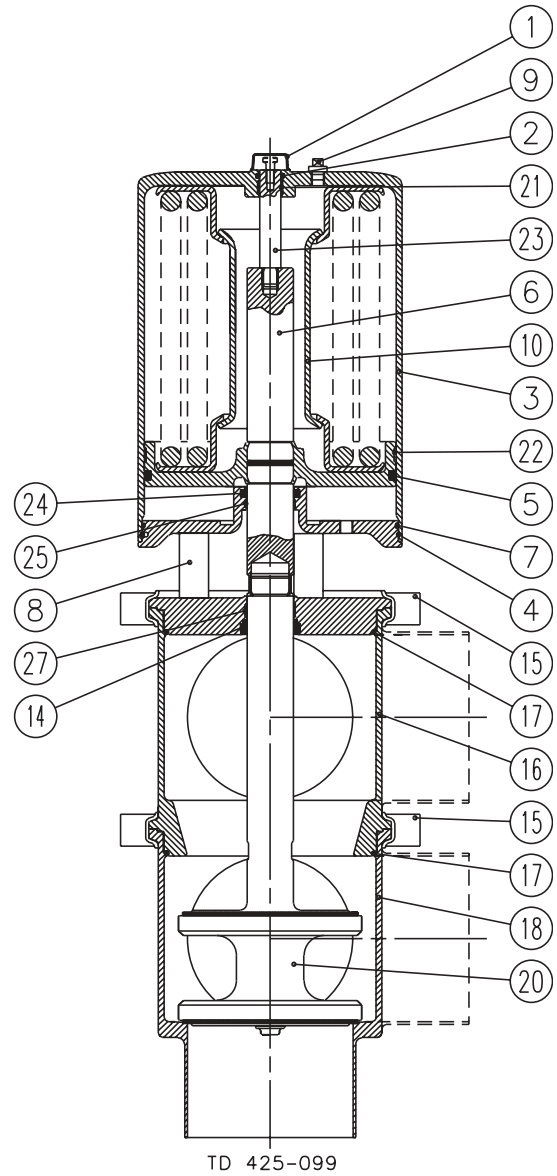
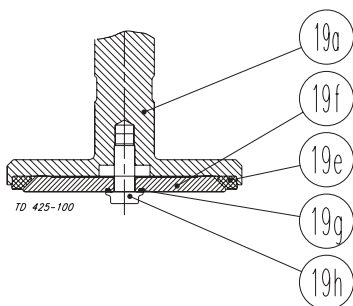
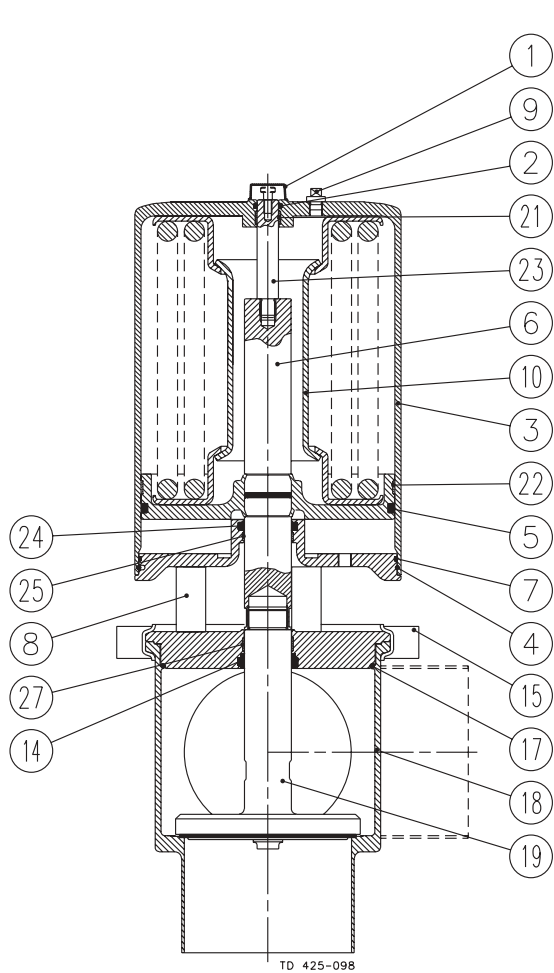
This page shows drawings of SRC, stop and change-over valves DN/OD38-101.6mm/DN40-100.



DN/OD38-101.6mm/DN40-100 Stop Valve, see section 6.4

DN/OD38-101.6mm/DN40-100 Change-over Valve, see section 6.5

This page shows drawings of SRC, stop and change-over valve DN125-150.



DN125-150 Stop Valve,
see section 6.6

DN125-150 Change-over Valve,
see section 6.7

The drawings and the parts list include all items.
 NO = Normally open. NC = Normally closed.

Parts List

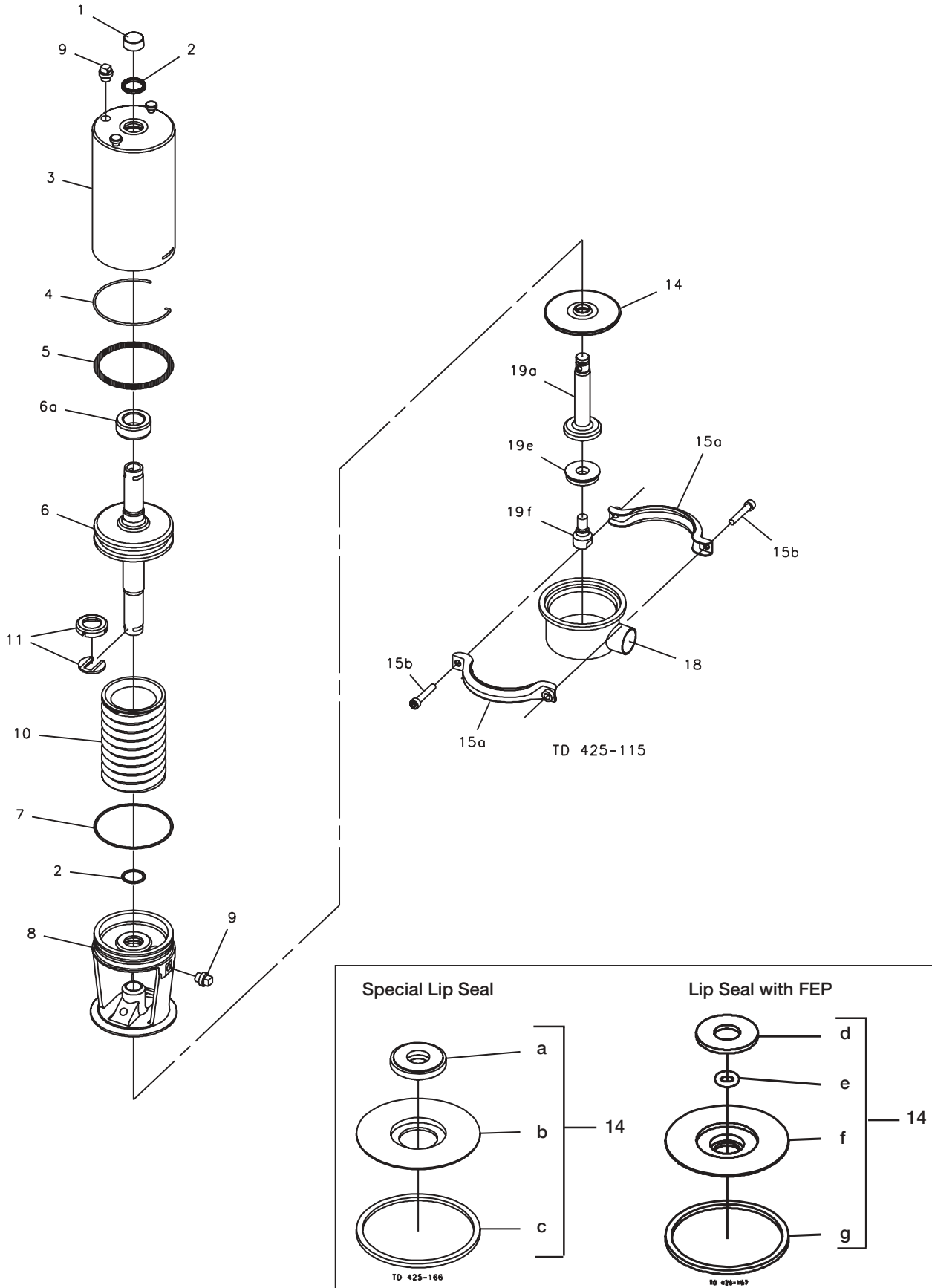
Pos.		Qty.	Denomination
1		1	Cap
2	□	2	O-ring
3		1	Cylinder
4	□	1	Lock Wire
5	□	1	O-ring
6		1	Piston NO/NC
		1	Piston A/A
6a		1	Stop ring
7	□	1	O-ring
8		1	Bonnet
9	*	1	Plug
10	*	1	Spring assembly
11	□	1	Clip, complete
14	Δ◆	1	Lip seal
15a+b		1	Clamps and screws
18		1	Valve body
19		1	Plug
19a		1	Stem
19e	Δ◆	1	Seal ring
19f		1	Screw

- : Service kits - actuator
 Δ: Service kits - product wetted parts
 ◆: Service kits - special lip seal
 *: Only for actuator NO/NC.

Service Kits

Denomination	Item number
Actuator	
25mm/DN25	9611-92-0008
Product wetted parts (Standard)	
EPDM	9611-92-0535
NBR	9611-92-0536
FPM	9611-92-0537
Special lip seal	
EPDM	9611-92-0538
NBR	9611-92-0539
FPM	9611-92-0540
FEP	9611-92-0541
Lip seal with FEP	
FEP	9611-92-0541

This page shows an exploded drawing of SRC, stop valve DN/OD25mm/DN 25.



The drawings and the parts list include all items.
 NO = Normally open. NC = Normally closed.

Parts List			Service Kits	
Pos.		Qty.	Denomination	Item number
1		1	Cap	
2	□	2	O-ring	Actuator
3		1	Cylinder	25mm/DN25 9611-92-0008
4	□	1	Lock Wire	
5	□	1	O-ring	Product wetted parts
6		1	Piston NO/NC	EPDM 9611-92-0542
		1	Piston A/A	NBR 9611-92-0543
7	□	1	O-ring	FPM 9611-92-0544
8		1	Bonnet	
9*	*	1	Plug	Special lip seal
10*	*	1	Spring assembly	EPDM 9611-92-0545
11a	□	1	Clip, complete	NBR 9611-92-0546
14	Δ	1	Lip seal	FPM 9611-92-0547
15a+b		2	Clamps and screws	
16		1	Upper valve body	Lip seal with FEP
17	Δ◆	1	Valve body seal ring	FEP 9611-92-0548
18		1	Lower valve body	
20		1	Valve plug, double, complete	
20b		1	Stem	
20c	Δ◆	1	Seal ring, upper	
20d		1	Middle piece	
20e	Δ◆	1	Seal ring, lower	
20f		1	Washer	

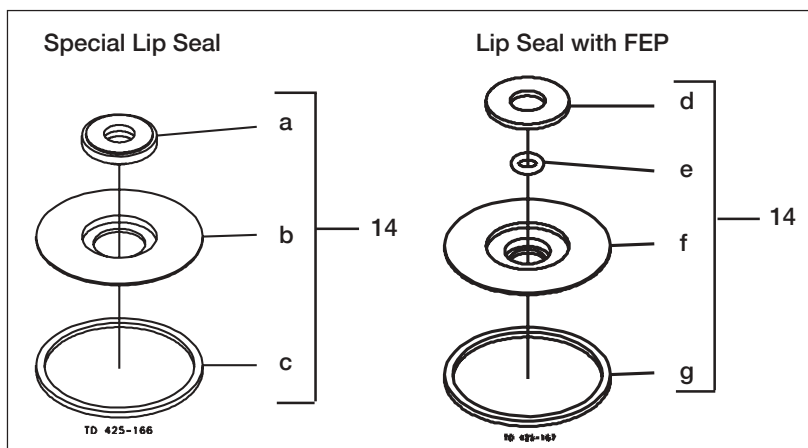
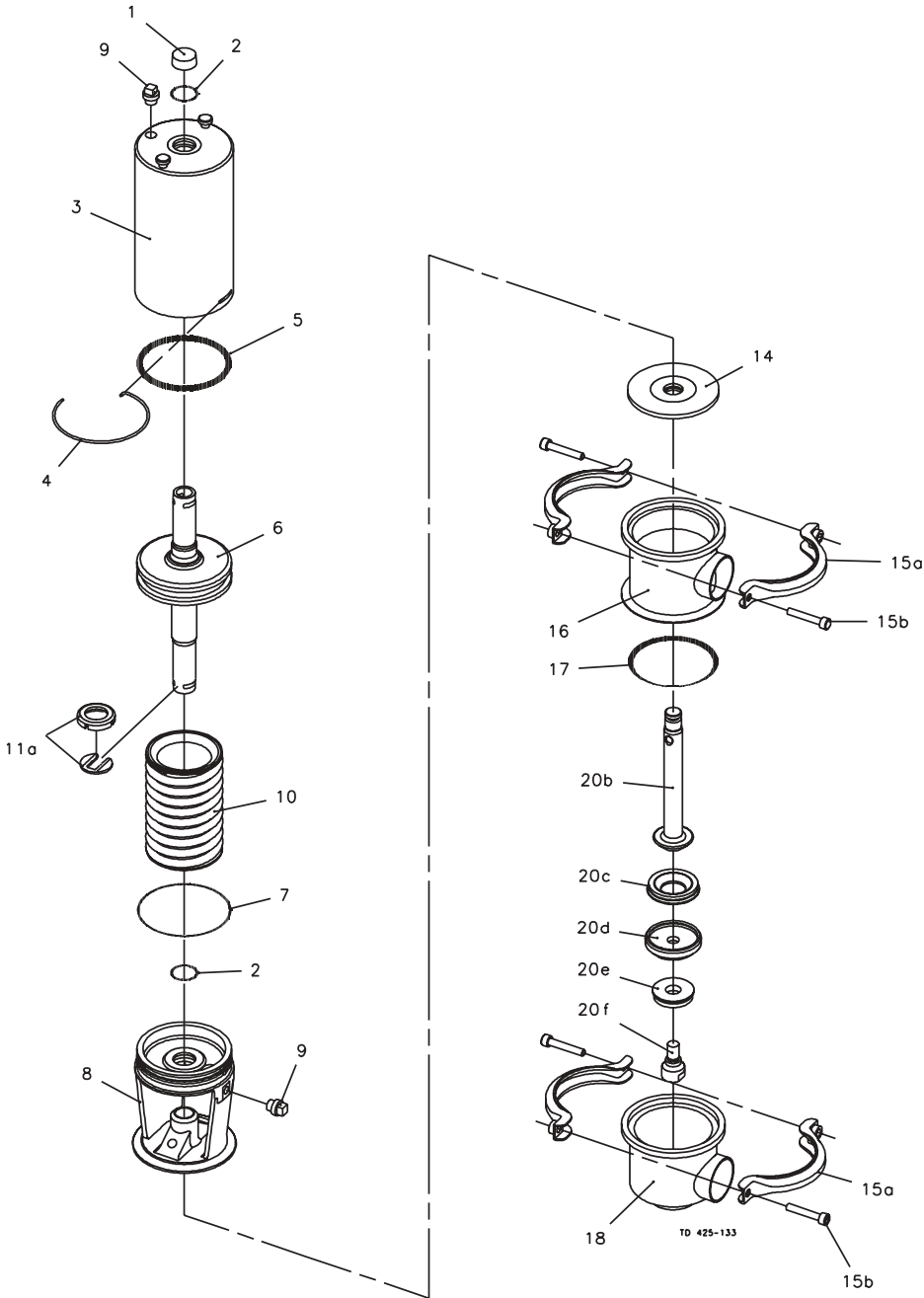
□: Service kits - actuator

Δ: Service kits - product wetted parts

◆: Service kits - special lip seal

*: Only for actuator NO/NC.

This page shows an exploded drawing of SRC, change-over valve DN/OD25mm/DN 25.



6.4 SRC - Stop Valve DN/OD38mm-101.6 mm/ DN40-DN100

6. Parts list and Service Kits

The drawings and the parts list include all items.

NO = Normally open. NC = Normally closed. A/A = Air/air activated.

Parts List

Pos.	Qty.	Denomination
1	1	End cap
2	□ 2	O-ring
3	1	Cylinder
4	□ 1	Lock wire
5	□ 1	O-ring
6	1	PistonNO/NC
	1	Piston A/A
6a	1	Stop ring (only actuator Air/Air)
7	□ 1	O-ring
8	1	Bonnet
9	* 1	Plug
10	* 1	Spring assembly
11a	□ 1	Clip assembly
11b	1	Clip (Period 6802-8407)
14	Δ 1	Lip seal
15a+b	1	Clamp half with screw
18	1	Valve body
19	1	Valve plug, single, complete
19a	1	Stem
19e	Δ◆ 1	Seal ring
19f	1	Washer
19g	Δ◆ 1	O-ring
19h	1	Screw

□: Service kits - actuator

Δ: Service kits - product wetted parts

◆: Service kits - special lip seal

*: Only for actuator NO/NC.

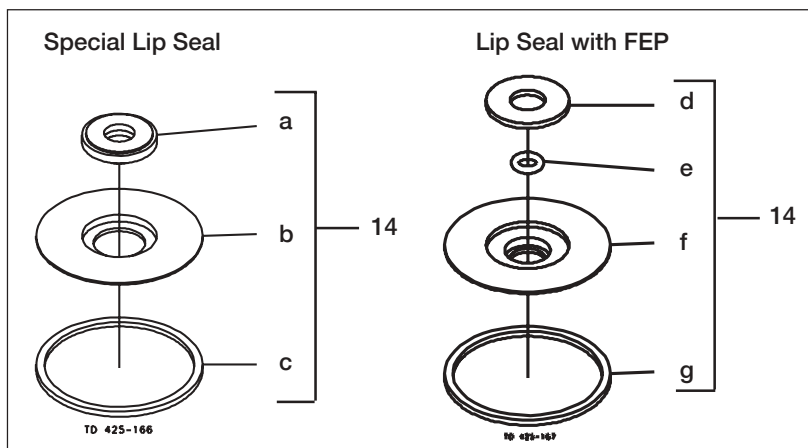
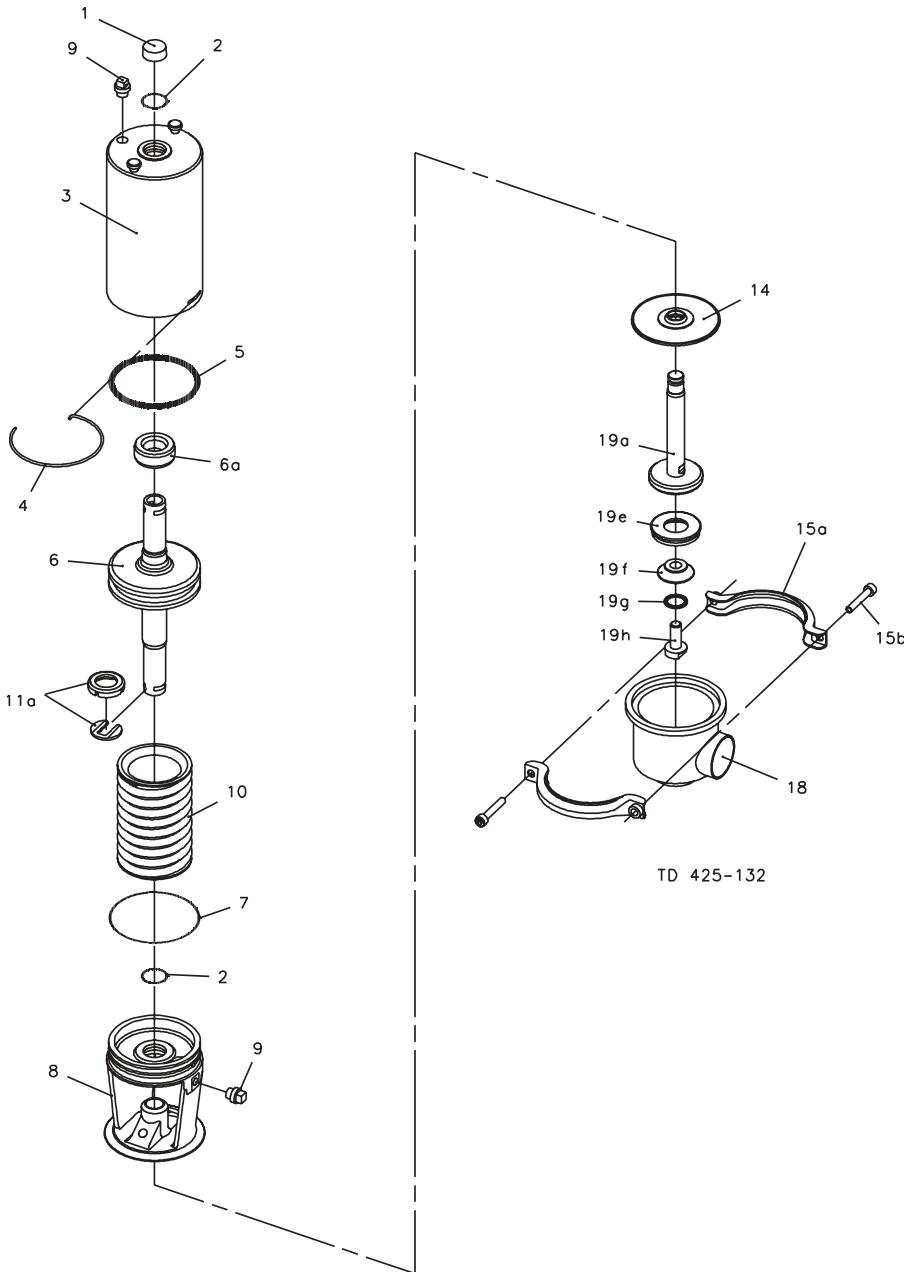
Service Kits

Denomination	Item number
Actuator	
38mm/DN40 - 63.5mm/DN65	9611-92-0008
76 mm - 101.6mm/DN100.....	9611-92-0009

Service Kits

Denomination	Item number
Product wetted parts	
38mm/DN40	
EPDM	9611-92-0010
NBR	9611-92-0011
FPM	9611-92-0012
51mm/DN50	
EPDM	9611-92-0013
NBR	9611-92-0014
FPM	9611-92-0015
63.5mm/DN65	
EPDM	9611-92-0016
NBR	9611-92-0017
FPM	9611-92-0018
76mm	
EPDM	9611-92-0019
NBR	9611-92-0020
FPM	9611-92-0021
DN80	
EPDM	9611-92-0105
NBR	9611-92-0106
FPM	9611-92-0107
101.6mm/DN100	
EPDM	9611-92-0022
NBR	9611-92-0023
FPM	9611-92-0024
Special lip seal	
38mm/DN40	
EPDM	9611-92-0447
NBR	9611-92-0448
FPM	9611-92-0449
51mm/DN50	
EPDM	9611-92-0451
NBR	9611-92-0452
FPM	9611-92-0453
63.5mm/DN65	
EPDM	9611-92-0455
NBR	9611-92-0456
FPM	9611-92-0457
76mm	
EPDM	9611-92-0459
NBR	9611-92-0460
FPM	9611-92-0461
DN80	
EPDM	9611-92-0463
NBR	9611-92-0464
FPM	9611-92-0465
101.6mm/DN100	
EPDM	9611-92-0467
NBR	9611-92-0468
FPM	9611-92-0469
Lip seal with FEP	
38mm/DN40	
FEP	9611-92-0450
51mm/DN50	
FEP	9611-92-0454
63.5mm/DN65	
FEP	9611-92-0458
76mm	
FEP	9611-92-0462
DN80	
FEP	9611-92-0466
101.6mm/DN100	
FEP	9611-92-0470

This page shows an exploded drawing of SRC, stop valve DN/OD38mm-101.6mm/DN40-DN100.



The drawings and the parts list include all items.
NO = Normally open. NC = Normally closed.

Parts List

Pos.	Qty.	Denomination
1	1	Cap
2	□	2 O-ring
3	1	Cylinder
4	□	1 Lock Wire
5	□	1 O-ring
6	1	Piston NO/NC
	1	Piston A/A
7	□	1 O-ring
8	1	Bonnet
9	*	1 Plug
10	*	1 Spring assembly
11a	□	1 Clip, complete
11b	1	1 Clip (period 6802-8407)
14	Δ	1 Lip seal
15a+b	2	Clamps and screws
16	1	Upper valve body
17	Δ◆	1 Valve body seal ring
18	1	Lower valve body
20	1	Valve plug, double, complete
20b	1	Stem
20c	Δ◆	1 Seal ring, upper
20d	1	Middle piece
20e	Δ◆	1 Seal ring, lower
20f	1	Washer
20g	Δ◆	1 O-ring
20h	1	Screw

- : Service kits - actuator
- Δ: Service kits - product wetted parts
- ◆: Service kits - special lip seal
- *: Only for actuator NO/NC.

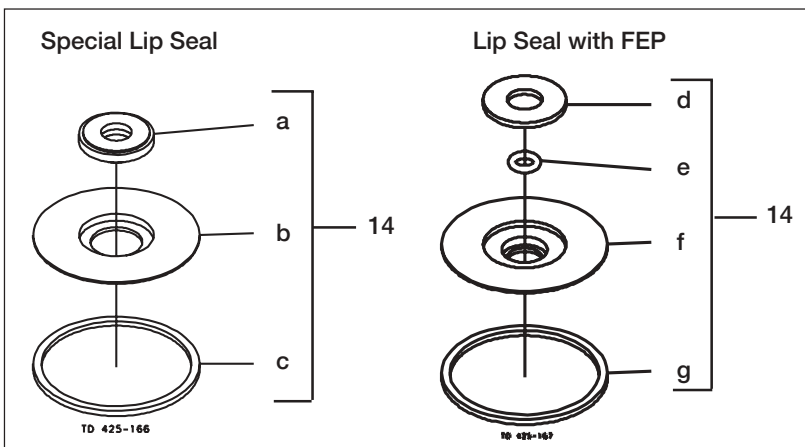
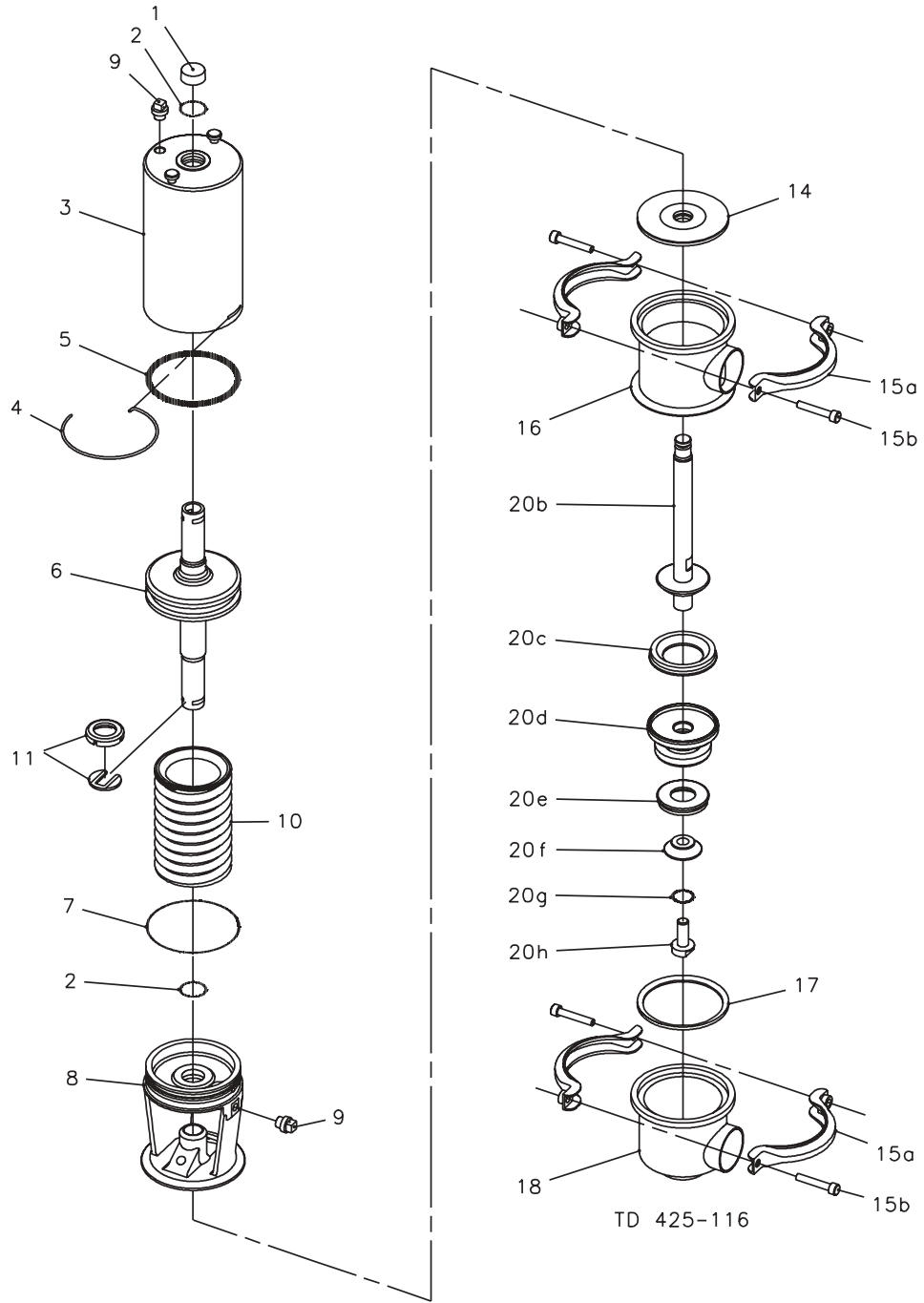
Service Kits

Denomination	Item number
Actuator	
38mm/DN40 - 63.5mm/DN65	9611-92-0008
76 mm - 101.6mm/DN100	9611-92-0009

Service Kits

Denomination	Item number
Product wetted parts	
38mm/DN40	
EPDM	9611-92-0025
NBR	9611-92-0026
FPM	9611-92-0027
51mm/DN50	
EPDM	9611-92-0028
NBR	9611-92-0029
FPM	9611-92-0030
63.5mm/DN65	
EPDM	9611-92-0031
NBR	9611-92-0032
FPM	9611-92-0033
76mm	
EPDM	9611-92-0034
NBR	9611-92-0035
FPM	9611-92-0036
DN80	
EPDM	9611-92-0108
NBR	9611-92-0109
FPM	9611-92-0110
101.6mm/DN100	
EPDM	9611-92-0037
NBR	9611-92-0038
FPM	9611-92-0039
Special lip seal	
38mm/DN40	
EPDM	9611-92-0471
NBR	9611-92-0472
FPM	9611-92-0473
51mm/DN50	
EPDM	9611-92-0475
NBR	9611-92-0476
FPM	9611-92-0477
63.5mm/DN65	
EPDM	9611-92-0479
NBR	9611-92-0480
FPM	9611-92-0481
76mm	
EPDM	9611-92-0483
NBR	9611-92-0484
FPM	9611-92-0485
DN80	
EPDM	9611-92-0487
NBR	9611-92-0488
FPM	9611-92-0489
101.6mm/DN100	
EPDM	9611-92-0491
NBR	9611-92-0492
FPM	9611-92-0493
Lip seal with FEP	
38mm/DN40	
FEP	9611-92-0474
51mm/DN50	
FEP	9611-92-0478
63.5mm/DN65	
FEP	9611-92-0482
76mm	
FEP	9611-92-0486
DN80	
FEP	9611-92-0490
101.6mm/DN100	
FEP	9611-92-0494

This page shows an exploded drawing of SRC, change-over valve DN/OD38mm-101.6mm/DN40-100.

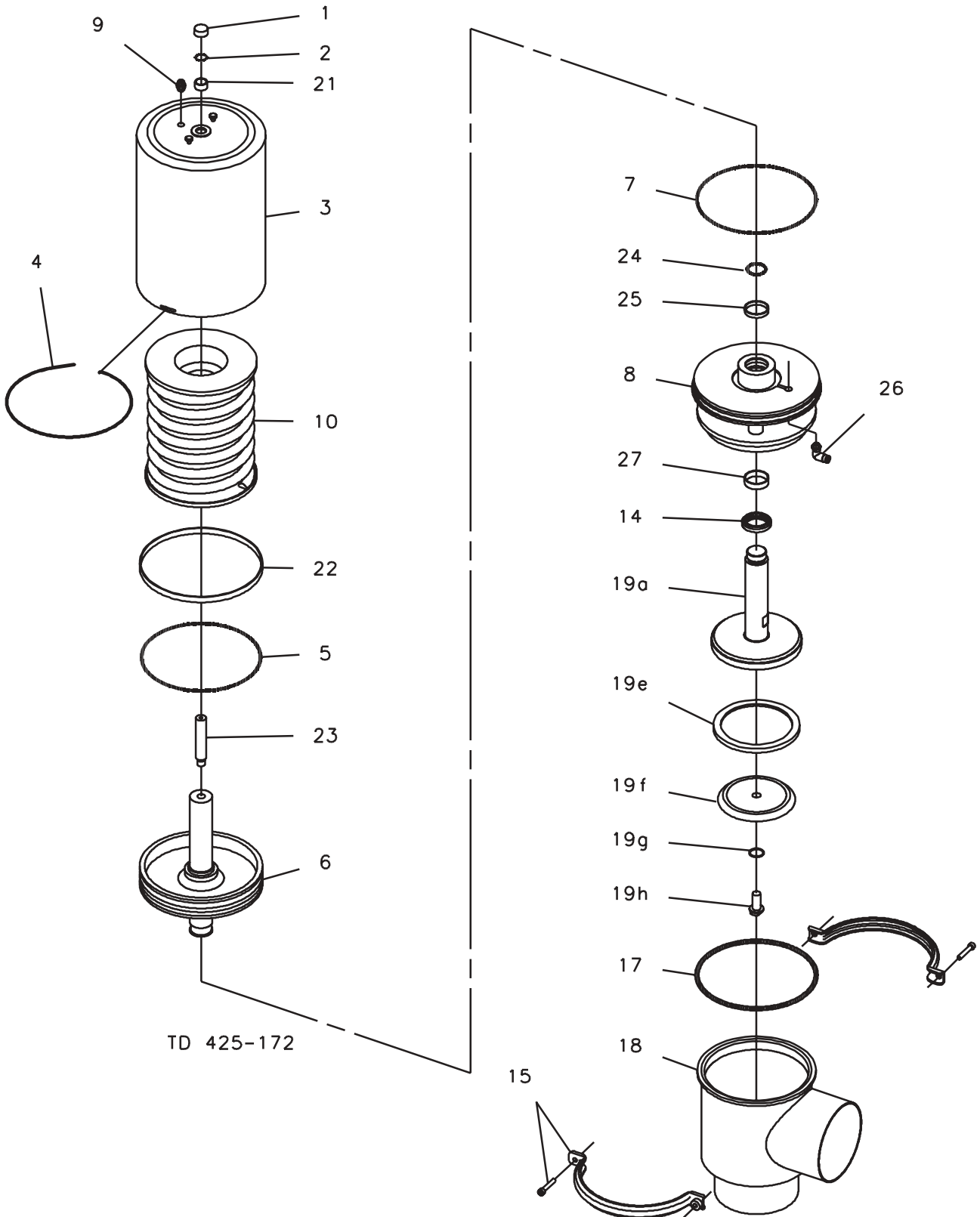


The drawings and the parts list include all items.

Parts List			Service Kits		
Pos.		Qty.	Denomination	Denomination	Item number
1		1	End cap	Actuator	
2	□	2	O-ring	EPDM	9611-92-0296
3		1	Cylinder		
4	□	1	Lock wire	Product wetted parts - Product wetted parts	
5	□	1	O-ring	EPDM	9611-92-0355
6		1	Piston	NBR	9611-92-0356
7	□	1	O-ring	FPM	9611-92-0357
8		1	Bonnet		
9		1	Plug		
10		1	Spring assembly		
14	Δ	1	Lip seal		
15		1	Clamp complete		
17	Δ	1	Valve body seal ring		
18		1	Valve body		
19		1	Valve plug, single, complete		
19a		1	Stem		
19e	Δ	1	Seal ring		
19f		1	Washer		
19g	Δ	1	O-ring		
19h		1	Screw		
21	□	1	Guide ring		
22	□	1	Guide ring		
23		1	Top pin		
24	□	1	O-ring		
25		1	Guide ring		
26		1	Air fitting		
27	□	1	Guide ring		

- : Service kits - actuator
- Δ: Service kits - product wetted parts

This page shows an exploded drawing of SRC, stop valve DN125-DN150.

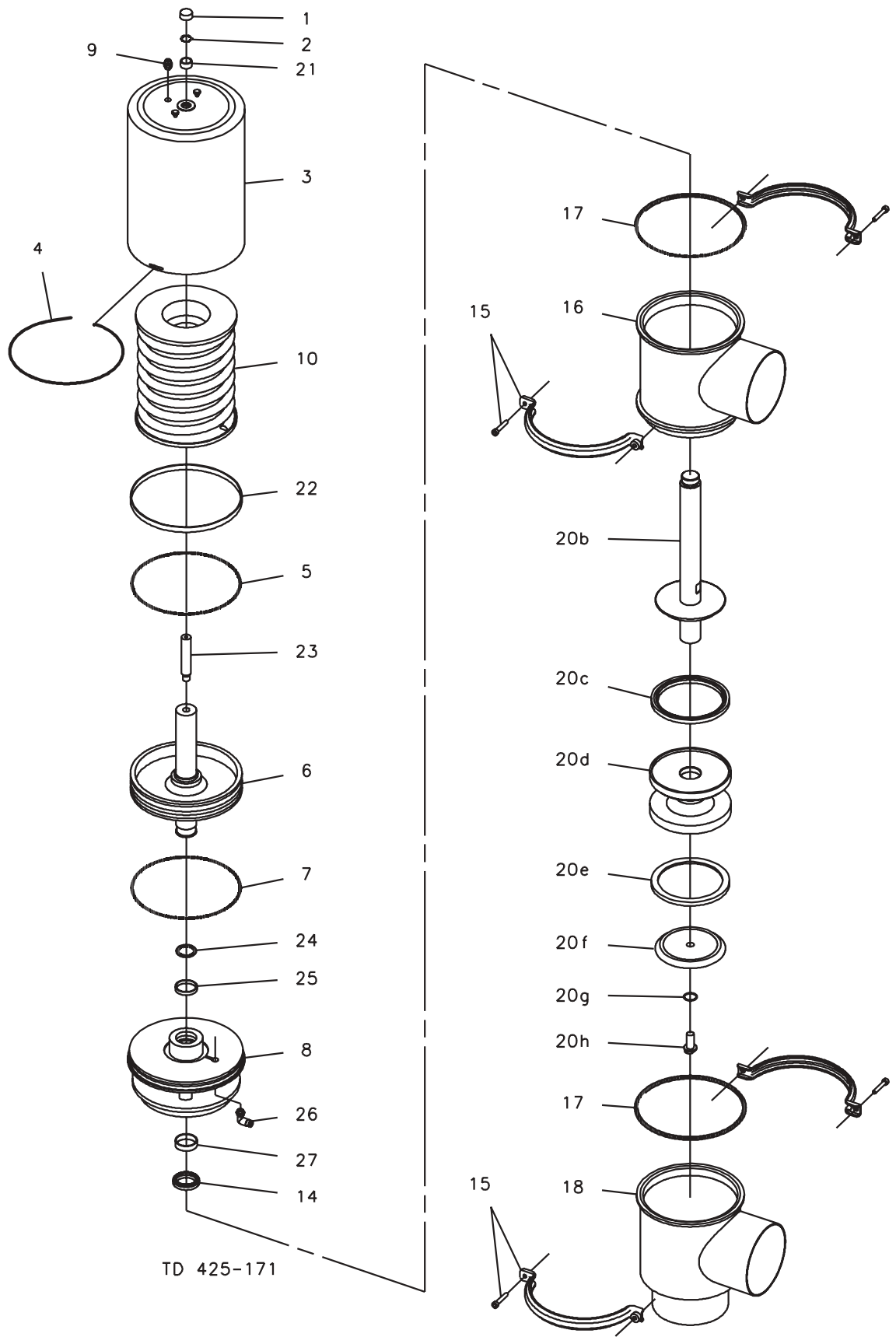


The drawings and the parts list include all items.

Parts List			Service Kits	
Pos.	Qty.	Denomination	Denomination	Item number
1	1	End cap	Actuator	
2	□ 2	O-ring	EPDM	9611-92-0296
3	1	Cylinder		
4	□ 1	Lock wire	Product wetted parts - DN125 - DN150	
5	□ 1	O-ring	EPDM	9611-92-0358
6	1	Piston	NBR	9611-92-0359
7	□ 1	O-ring	FPM	9611-92-0360
8	1	Bonnet		
9	1	Plug		
10	1	Spring assembly		
14	Δ□ 1	Lip seal		
15	2	Clamp complete		
16	1	Upper valve body		
17	Δ 2	Valve body seal ring		
18	1	Lower valve body		
20	1	Valve plug, double, complete		
20b	1	Stem		
20c	Δ 1	Seal ring		
20d	1	Middle piece		
20e	Δ 1	Seal ring		
20f	1	Washer		
20g	Δ 1	O-ring		
20h	1	Screw		
21	□ 1	Guide ring		
22	□ 1	Guide ring		
23	1	Top pin		
24	□ 1	O-ring		
25	□ 1	Guide ring		
26	1	Air fitting		
27	□ 1	Guide ring		

- : Service kits - actuator
- Δ: Service kits - product wetted parts

This page shows an exploded drawing of SRC, change-over valve DN125-DN150.



6.8 Oil Damper for SRC 25-101.6mm/DN25-100 (optional extra)

6. Parts list and Service Kits

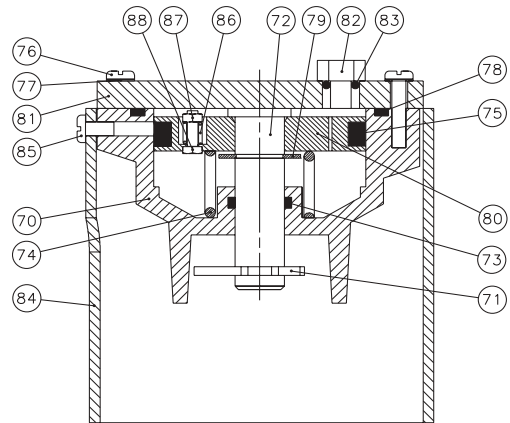
The drawings and the parts list include all items.

NO = Normally open.

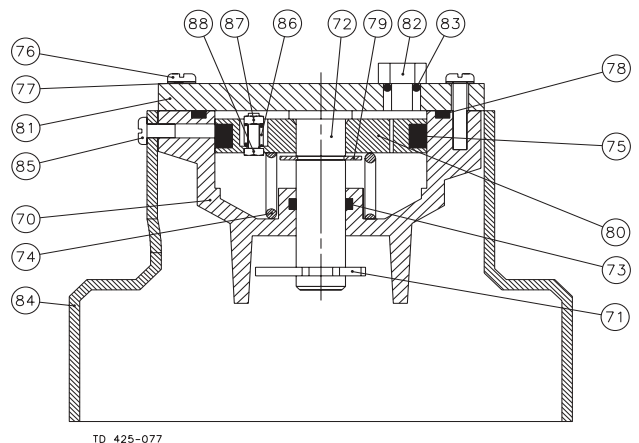
NC = Normally closed.

Parts List

Pos.	Qty.	Denomination
70	1	Housing
71	1	Clip
72	1	Piston rod
73	1	O-ring
74	1	Spring
75	1	O-ring
76	6	Screw
77	6	Washer
78	1	O-ring
79	1	Circlip
80	1	Piston
81	1	Cover
82	1	Plug
83	1	O-ring
84	1	Protective hood
85	3	Screw
86	1	Spring
87	1	Nut
88	1	Screw

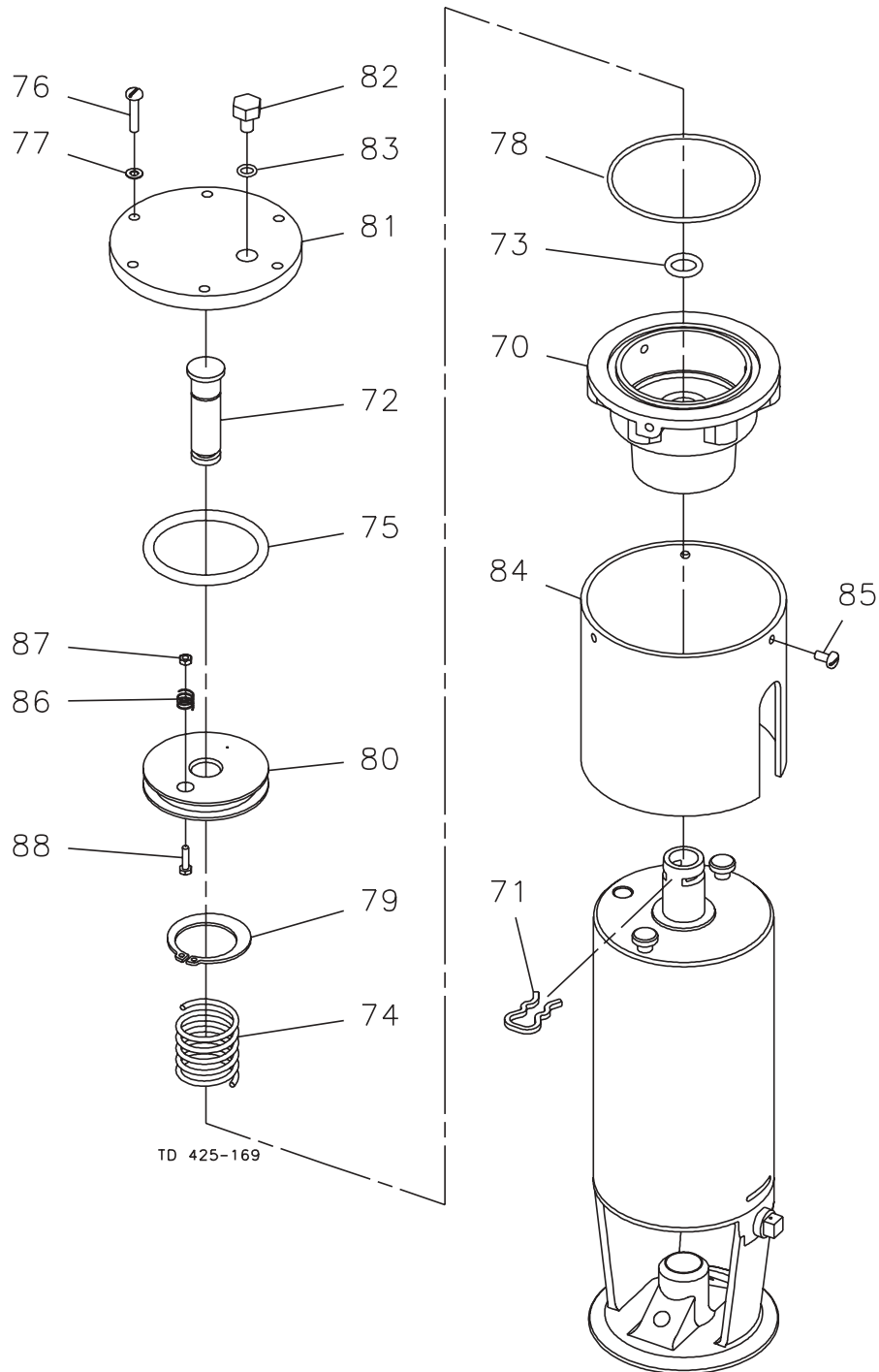


25 - 63.5 mm



76 - 101.6 mm

*This page shows an exploded drawing of the oil damper for SRC.
The damper is an optional extra.
The drawing includes actuator.*



6.9 Indication Units for SRC 25-101.6mm/DN25-100 (optional extra)

The parts list includes all items.

Parts List for micro switch unit

Pos.	Qty.	Denomination
51	1	Holder
53	1	Switch unit, 1 micro-switch
	1	Switch unit, 2 micro-switches
55	2	Screw
56	1	Ring
57	1	Spring
58	2	Screw
59	1	Female plug
	1	Cable connector, complete for PG9 max. 10mm cable
60	2	Adjustment screw

Parts List for inductive proximity switch unit

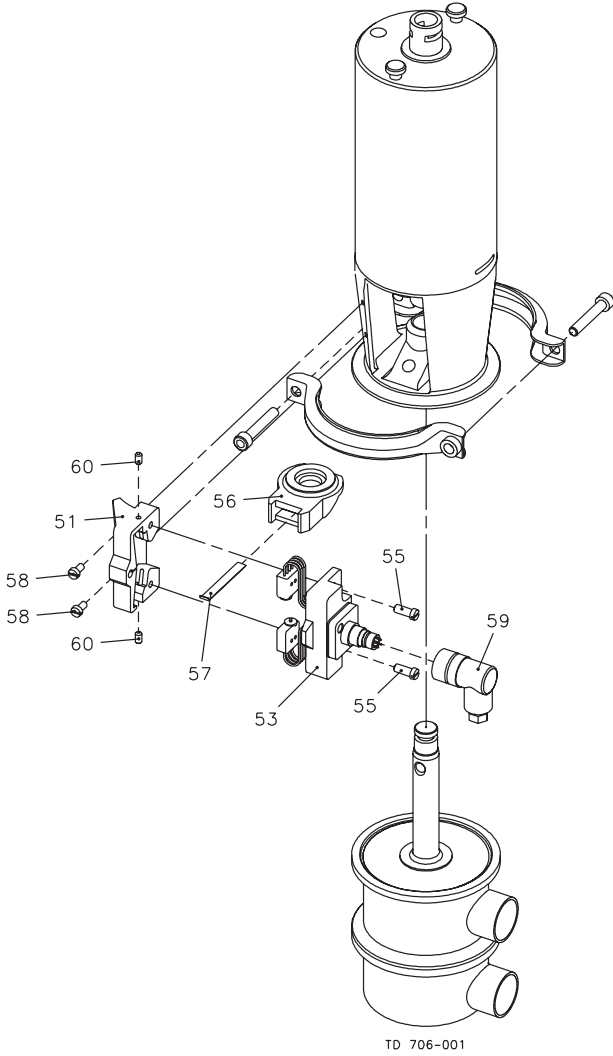
Pos.	Qty.	Denomination
53	1	Switch unit, complete with 2 switches
56	1	Ring
58	2	Screw
59	1	Female plug
	1	Cable connector, complete for PG9 max. 10mm cable

Parts List for hall proximity switch unit

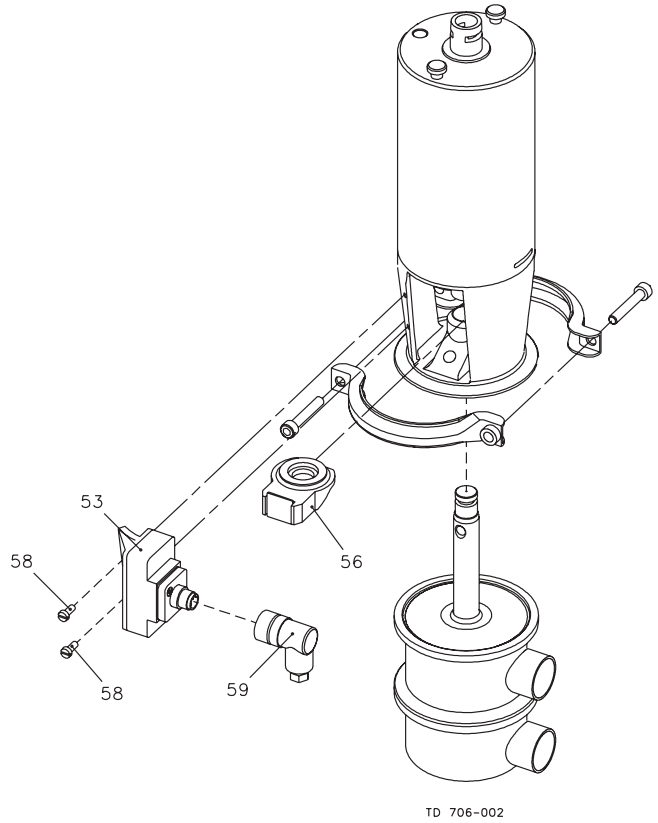
Pos.	Qty.	Denomination
53	1	Switch unit PNP 5-24 VDC
	1	Switch unit NPN 5-24 VDC
	1	Switch unit PNP 20-30 VDC
56	1	Ring
58	2	Screw
59	1	Female plug
	1	Cable connector, complete for PG9 max. 10mm cable

*This page shows exploded drawings of the indication unit with micro switch or with inductive proximity switch.
The indication unit is an optional extra.
The drawings include all items of the valve.*

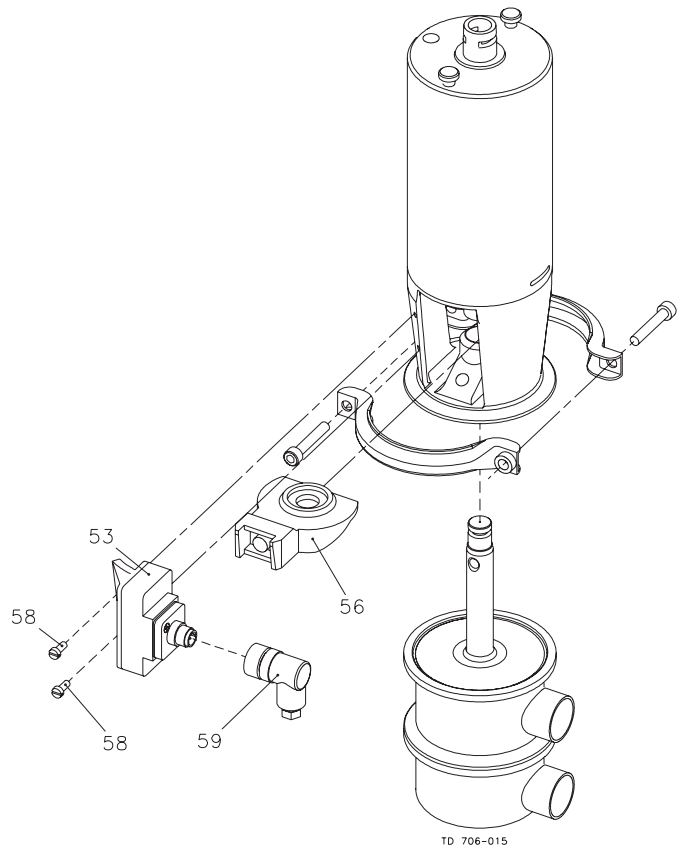
Micro switch unit



Inductive proximity switch unit



Hall proximity switch unit



How to contact Alfa Laval

Contact details for all countries are continually updated on our website. Please visit www.alfalaval.com to access the information direct.