

Fast, Effective Impact Cleaning

Toftejorg TZ-750 Rotary Jet Head

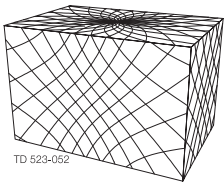
Application

The Toftejorg TZ-750 rotary jet head provides 360° indexed impact cleaning over a defined time period. It is automatic and represents a guaranteed means of achieving quality assurance in tank cleaning. The device is suitable for storage and transportation tanks and vessels between 3,000 and 7,000 m³ (792,000 to 1,850,000 US gallons). Used in chemical processing and the pulp and paper industries.

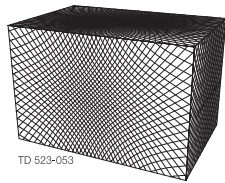
Working principle

The flow of the cleaning fluid makes the nozzles perform a geared rotation around the vertical and horizontal axes. In the first cycle, the nozzles lay out a coarse pattern on the tank surface. The subsequent cycles gradually make the pattern more dense, until a full pattern is reached after 4 cycles.

Cleaning Pattern



First cycle



Full pattern

The above drawings show the cleaning pattern achieved on a horizontal vessel. The difference between the first cycle and the full pattern represents the number of additional cycles available to increase the density of the cleaning.

Standard Design

The choice of nozzle diameters can optimise jet impact length and flow rate at the desired pressure. As standard documentation, the Toftejorg TZ-750 can be supplied with a “Declaration of Conformity” for material specifications.

Materials

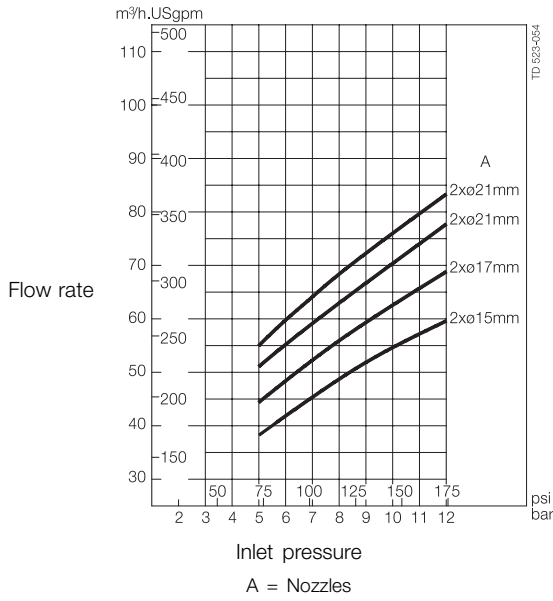
1.4404 (316L), 1.4401, PTFE, PVDF, Carbon.



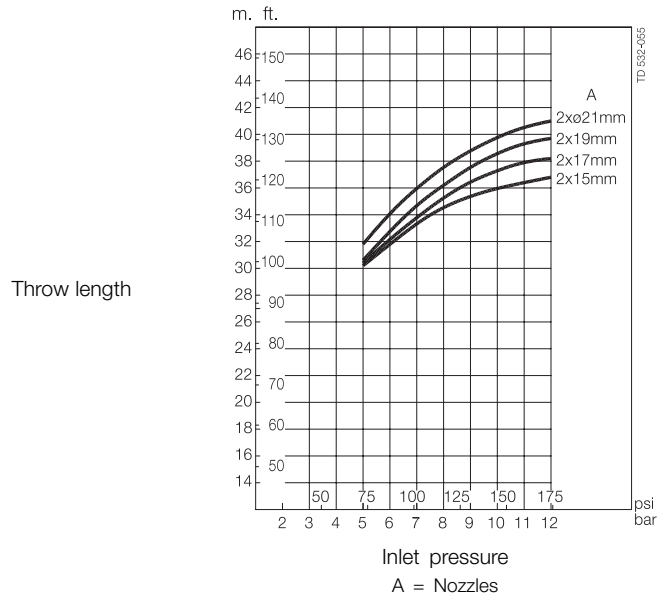
Technical Data

Weight:	Portable 12.1 kg (26.7 lbs), fixed 13,6 kg (30 lbs)
Lubricant:	Self-lubricating with the cleaning fluid
Working pressure:	.5 - 12 bar (72 - 174 psi)
Recommended pressure:	.5 - 10 bar (72 - 145 psi)
Capacity:	.38 - 83 m ³ /hour
Max. working temperature:	.95 °C (203 °F)
Max. ambient temperature:	.140 °C (284 °F)
Flange:	Ø 127-PC 98.5 - 4 x 11 mm (0,43") holes
Max. throw length:	.30 - 40 m (98 - 131 ft)
Min. required passage:	See dimension drawings

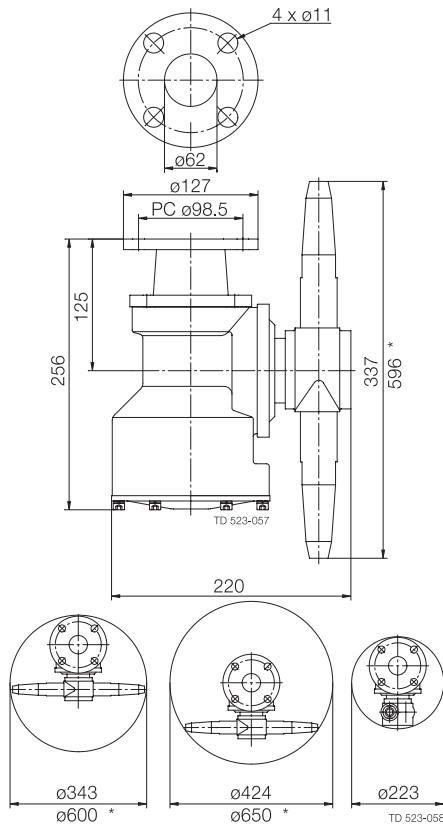
Flow Rate



Horizontal Throw Length at Static Condition



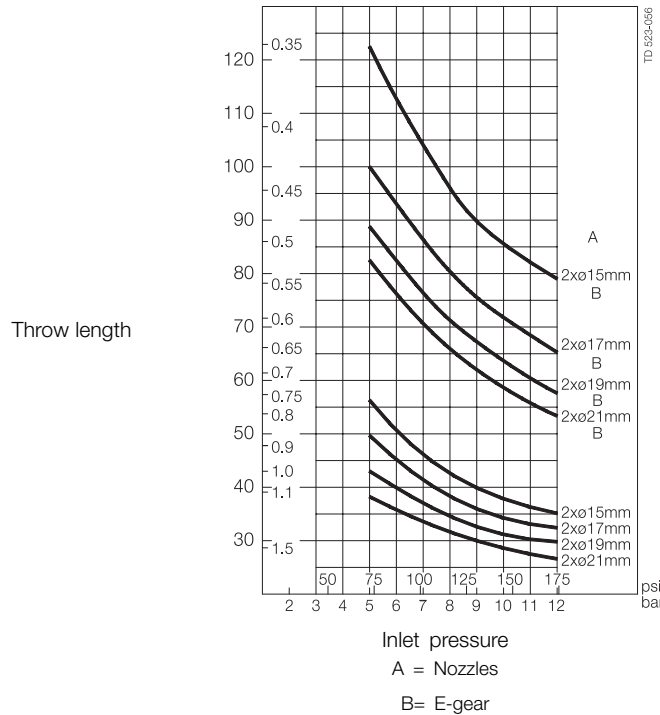
Dimensions (mm)



*)= with nozzle extensions

Cleaning Time, Complete Pattern

Min. RPM of machine body



Ordering

Please specify nozzle size, inlet/guide configuration and connections and confirm application suitability.

Options

- Downpipe supporting flange