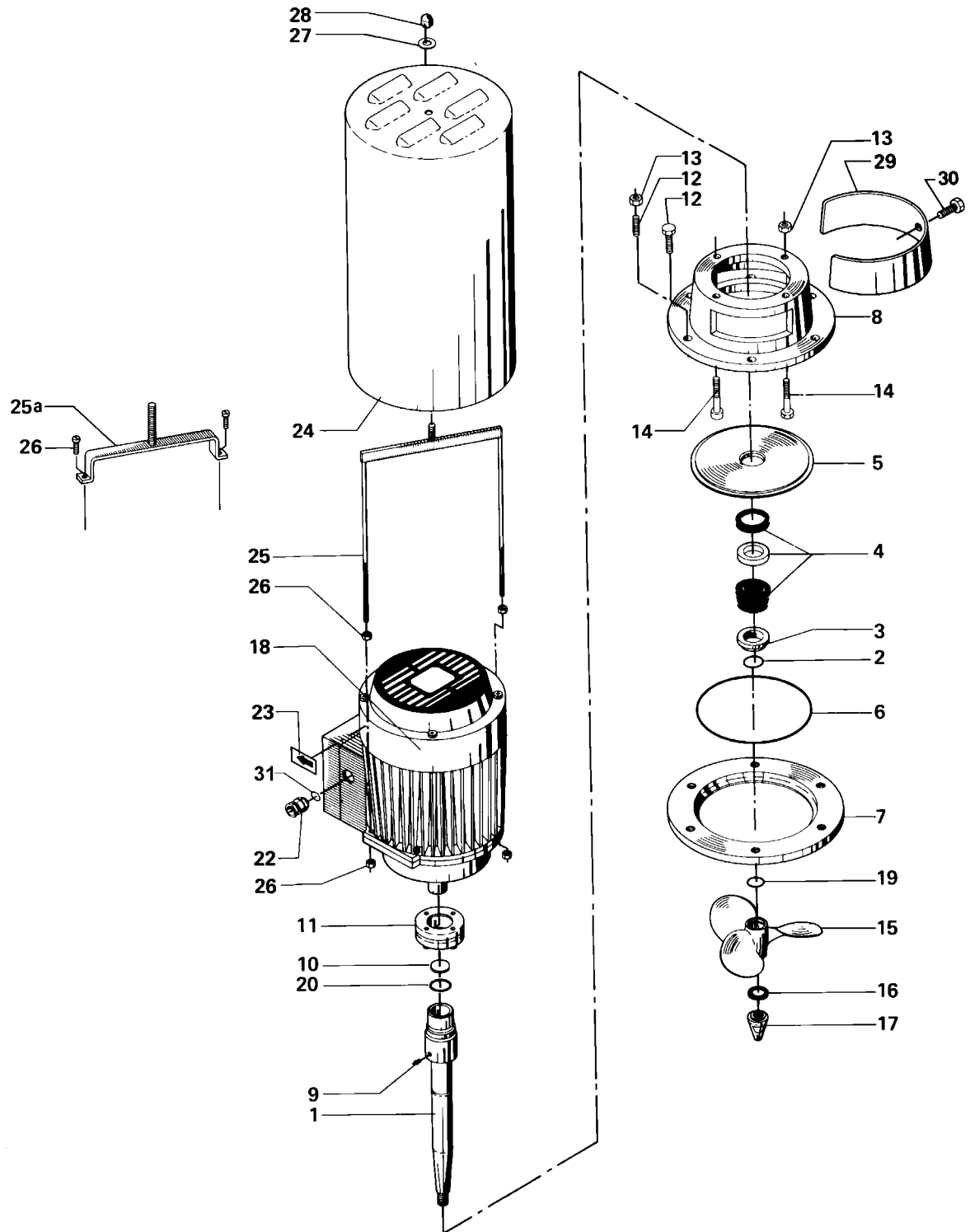


# Agitator Type LKR-5

2



# Agitator Type LKR-5

Pos.	Qty.	Denomination	Motor (kW)	1.5	2.2	3	3	AISI 304
			Propel.diameter RPM	200 950	200 1430	200 1430	300 700	5.5 300 950
1	1	Propeller shaft .....	9611-60-2098	9611-60-2098	9611-60-2098	9611-60-2098	9611-60-2001	9611-60-2001
2Δ	1	O-ring EPDM .....	9611-99-2252	9611-99-2252	9611-99-2252	9611-99-2252	9611-99-3304	9611-99-3304
	1	O-ring NBR .....	223406-49	223406-49	223406-49	223406-49	9611-99-0079	9611-99-0079
	1	O-ring FPM .....	9611-99-2253	9611-99-2253	9611-99-2253	9611-99-2253	9611-99-1964	9611-99-1964
3	1	Fixing-ring .....	9611-63-2011	9611-63-2011	9611-63-2011	9611-63-2011	9611-63-2002	9611-63-2002
4Δ	1	Shaft seal C/Sic. EPDM (Period 9801-) ...	9611-99-3306	9611-99-3306	9611-99-3306	9611-99-3306	9611-99-3301	9611-99-3301
	1	Shaft seal C/Sic. NBR (Period 9801-) ....	9611-99-3305	9611-99-3305	9611-99-3305	9611-99-3305	9611-99-3300	9611-99-3300
	1	Shaft seal C/Sic. FPM (Period 9801-) .....	9611-99-3347	9611-99-3347	9611-99-3347	9611-99-3347	9611-99-3345	9611-99-3345
	1	Shaft seal, NBR, Stationary-ring, .....	9611-99-0192	9611-99-0192	9611-99-0192	9611-99-0192	9611-99-0185	9611-99-0185
		Alu. Oxyd (Period -9801)						
	1	Shaft seal, NBR Stationary-ring .....	9611-99-0191	9611-99-0191	9611-99-0191	9611-99-0191	9611-99-0184	9611-99-0184
		(AISI 316) (Period -9801)						
	1	Shaft seal, FPM, Stationary-ring, .....	9611-99-0193	9611-99-0193	9611-99-0193	9611-99-0193	9611-99-0186	9611-99-0186
		Alu. Oxyd (Period -9801)						
5	1	Front plate .....	9611-60-2099	9611-60-2099	9611-60-2099	9611-60-2099	9611-60-2003	9611-60-2003
6Δ	1	O-ring EPDM .....	9611-99-3364	9611-99-3364	9611-99-3364	9611-99-3364	9611-99-3366	9611-99-3366
	1	O-ring NBR .....	9611-99-0068	9611-99-0068	9611-99-0068	9611-99-0068	9611-99-0069	9611-99-0069
	1	O-ring FPM .....	9611-99-3365	9611-99-3365	9611-99-3365	9611-99-3365	9611-99-1965	9611-99-1965
7	1	Welding flange .....	9611-60-2042	9611-60-2042	9611-60-2042	9611-60-2042	9611-60-2013	9611-60-2013
8	1	Motor console .....	9611-60-2080	9611-60-2080	9611-60-2080	9611-60-2080	9611-60-2004	9611-60-2004
9	1	Grease nipple .....	9611-99-0869	9611-99-0869	9611-99-0869	9611-99-0869	9611-99-0869	9611-99-0869
10	1	Washer .....	9611-60-2015	9611-60-2015	9611-60-2015	9611-60-2015	9611-60-2005	9611-60-2005
11	1	Shrink ring .....	9611-99-0919	9611-99-0919	9611-99-0919	9611-99-0919	9611-99-0877	9611-99-0877
12	6	Set screw .....	9611-99-0365	9611-99-0365	9611-99-0365	9611-99-0365		
	6	Pointed screw .....					9611-99-0363	9611-99-0363
13	10	Lock nut .....					9611-99-0312	9611-99-0312
	6	Lock nut .....						
14	4	Allen screw .....	9611-99-0246	9611-99-0246	9611-99-0246	9611-99-0246		
	4	Hexagon screw .....					9611-99-0364	9611-99-0364
15	1	Propeller .....	9611-60-2100	9611-60-2100	9611-60-2100	9611-60-2100	9611-60-2006	9611-60-2006
16	1	Fibre washer .....	9611-60-2069	9611-60-2069	9611-60-2069	9611-60-2069	9611-60-2017	9611-60-2017
17	1	Nut .....	9611-63-2068	9611-63-2068	9611-63-2068	9611-63-2068	9611-63-2018	9611-63-2018
18	1	Motor .....	9611-99-0837	9611-99-0838	9611-99-0839	9611-99-0839		
	1	Motor (Period 9401-) .....					9612-3910-11	9612-3910-13
	1	Motor (Period -9401) .....					9611-99-0889	9611-99-0890
19Δ	1	O-ring EPDM .....	9611-99-3362	9611-99-3362	9611-99-3362	9611-99-3362	9611-99-3360	9611-99-3360
	1	O-ring NBR .....	9611-99-0096	9611-99-0096	9611-99-0096	9611-99-0096	9611-99-0092	9611-99-0092
	1	O-ring FPM .....	9611-99-3363	9611-99-3363	9611-99-3363	9611-99-3363	9611-99-3361	9611-99-3361
20Δ	1	O-ring NBR .....	9611-99-0096	9611-99-0096	9611-99-0096	9611-99-0096	9611-99-0097	9611-99-0097
22	1	Gable gland .....	31801-0154-4	31801-0154-4	31801-0154-4	31801-0154-4	31801-0154-5	31801-0154-5
23	1	Direction arrow .....	9611-99-2519	9611-99-2519	9611-99-2519	9611-99-2519	9611-99-2519	9611-99-2519
24	1	Cover .....	9611-60-2082	9611-60-2082	9611-60-2082	9611-60-2082		
	1	Cover (Period 9401-) .....					9611-60-2118	9611-60-2118
	1	Cover (Period -9401) .....					9611-60-2008	9611-60-2008
25	1	Fixing clamp .....	9611-60-2050	9611-60-2050	9611-60-2050	9611-60-2050		
25a	1	Fixing clamp (Period 9401-) .....					9611-60-2113	9611-60-2113
	1	Fixing clamp (Period -9401) .....					9611-60-2009	9611-60-2009
26	4	Nut .....	9611-99-0309	9611-99-0309	9611-99-0309	9611-99-0309		
	2	Nut .....					9611-99-0248	9611-99-0248
27	1	Washer .....	9611-99-0733	9611-99-0733	9611-99-0733	9611-99-0733	9611-99-0733	9611-99-0733
28	1	Top nut .....	9611-99-1696	9611-99-1696	9611-99-1696	9611-99-1696	9611-99-1696	9611-99-1696
29	1	Guard for motor .....	9611-60-3351	9611-60-3351	9611-60-3351	9611-60-3351	9611-60-3361	9611-60-3361
30	1	Screw .....	9611-99-1376	9611-99-1376	9611-99-1376	9611-99-1376	9611-99-1376	9611-99-1376
31	1	O-ring .....	9611-99-0972	9611-99-0972	9611-99-0972	9611-99-0972	9611-99-0973	9611-99-0973
<b>Alternative</b>								
4Δ	1	Shaft seal Sic./Sic. EPDM (Period 9801-) ..	9611-99-3308	9611-99-3308	9611-99-3308	9611-99-3308	9611-99-3303	9611-99-3303
	1	Shaft seal Sic./Sic. NBR (Period 9801-) ..	9611-99-3307	9611-99-3307	9611-99-3307	9611-99-3307	9611-99-3302	9611-99-3302
	1	Shaft seal Sic./Sic. FPM (Period 9801-) ..	9611-99-3348	9611-99-3348	9611-99-3348	9611-99-3348	9611-99-3348	9611-99-3348
Δ		<b>Service kit, EPDM .....</b>	<b>9611-92-5009</b>	<b>9611-92-5009</b>	<b>9611-92-5009</b>	<b>9611-92-5009</b>	<b>9611-92-5010</b>	<b>9611-92-5010</b>
Δ		<b>Service kit, NBR 9611-92-5020 .....</b>	<b>9611-92-5020</b>	<b>9611-92-5020</b>	<b>9611-92-5021</b>	<b>9611-92-5021</b>	<b>9611-92-5021</b>	<b>9611-92-5021</b>
Δ		<b>Service kit, FPM .....</b>	<b>9611-92-5023</b>	<b>9611-92-5023</b>	<b>9611-92-5023</b>	<b>9611-92-5023</b>	<b>9611-92-5024</b>	<b>9611-92-5024</b>

Parts marked with Δ are included in the **Service kit**.

Recommended spare parts: **Service kit**



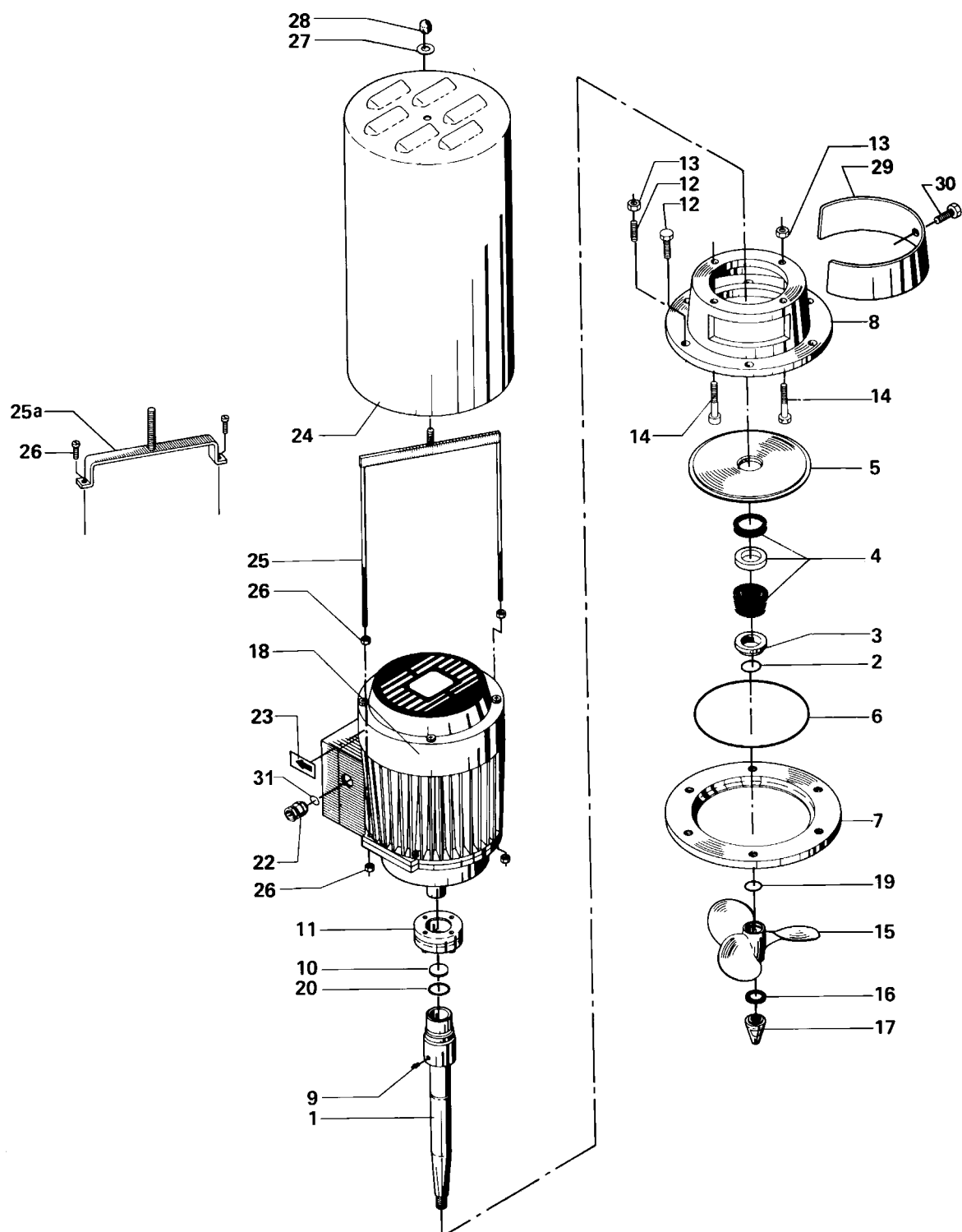
# Agitator Type LKR-5

Pos.	Qty.	Denomination	Motor (kW)	3	4	5.5	7.5	AISI 304
			Propel.diameter RPM	250 950	250 950	250 1430	250 1430	2.2 250 950
1	1	Propeller shaft .....		9611-60-2001	9611-60-2001	9611-60-2001	9611-60-2001	9611-60-2010
2Δ	1	O-ring EPDM .....		9611-99-3304	9611-99-3304	9611-99-3304	9611-99-3304	9611-99-2252
	1	O-ring NBR .....		9611-99-0079	9611-99-0079	9611-99-0079	9611-99-0079	223406-49
	1	O-ring FPM .....		9611-99-1964	9611-99-1964	9611-99-1964	9611-99-1964	9611-99-2253
3	1	Fixing-ring .....		9611-63-2002	9611-63-2002	9611-63-2002	9611-63-2002	9611-63-2011
4Δ	1	Shaft seal C/Sic. EPDM (Period 9801-) ...		9611-99-3301	9611-99-3301	9611-99-3301	9611-99-3301	9611-99-3306
	1	Shaft seal C/Sic. NBR (Period 9801-) ....		9611-99-3300	9611-99-3300	9611-99-3300	9611-99-3300	9611-99-3305
	1	Shaft seal C/Sic. FPM (Period 9801-) .....		9611-99-3345	9611-99-3345	9611-99-3345	9611-99-3345	9611-99-3347
	1	Shaft seal, NBR, Stationary-ring, .....		9611-99-0185	9611-99-0185	9611-99-0185	9611-99-0185	9611-99-0192
		Alu. Oxyd (Period -9801)						
	1	Shaft seal, NBR Stationary-ring .....		9611-99-0184	9611-99-0184	9611-99-0184	9611-99-0184	9611-99-0191
		(AISI 316) (Period -9801)						
	1	Shaft seal, FPM, Stationary-ring, .....		9611-99-0186	9611-99-0186	9611-99-0186	9611-99-0186	9611-99-0193
		Alu. Oxyd (Period -9801)						
5	1	Front plate .....		9611-60-2003	9611-60-2003	9611-60-2003	9611-60-2003	9611-60-2012
6Δ	1	O-ring EPDM .....		9611-99-3366	9611-99-3366	9611-99-3366	9611-99-3366	9611-99-3366
	1	O-ring NBR .....		9611-99-0069	9611-99-0069	9611-99-0069	9611-99-0069	9611-99-0069
	1	O-ring FPM .....		9611-99-1965	9611-99-1965	9611-99-1965	9611-99-1965	9611-99-1965
7	1	Welding flange .....		9611-60-2013	9611-60-2013	9611-60-2013	9611-60-2013	9611-60-2013
8	1	Motor console .....		9611-60-2004	9611-60-2004	9611-60-2004	9611-60-2004	9611-60-2014
9	1	Grease nipple .....		9611-99-0869	9611-99-0869	9611-99-0869	9611-99-0869	9611-99-0869
10	1	Washer .....		9611-60-2005	9611-60-2005	9611-60-2005	9611-60-2005	9611-60-2015
11	1	Shrink ring .....		9611-99-0877	9611-99-0877	9611-99-0877	9611-99-0877	9611-99-0919
12	6	Set screw .....						
	6	Pointed screw .....		9611-99-0363	9611-99-0363	9611-99-0363	9611-99-0363	9611-99-0363
13	10	Lock nut .....		9611-99-0312	9611-99-0312	9611-99-0312	9611-99-0312	
	6	Lock nut .....						9611-99-0312
14	4	Allen screw .....						9611-99-0246
	4	Hexagon screw .....		9611-99-0364	9611-99-0364	9611-99-0364	9611-99-0364	
15	1	Propeller .....		9611-60-2007	9611-60-2007	9611-60-2007	9611-60-2007	9611-60-2016
16	1	Fibre washer .....		9611-60-2017	9611-60-2017	9611-60-2017	9611-60-2017	9611-60-2017
17	1	Nut .....		9611-63-2018	9611-63-2018	9611-63-2018	9611-63-2018	9611-63-2018
18	1	Motor .....						9611-99-0856
	1	Motor (Period 9401-) .....		9612-3910-03	9612-3910-05	9612-3910-07	9612-3910-09	
	1	Motor (Period -9401) .....		9611-99-0873	9611-99-0874	9611-99-0875	9611-99-0876	
19Δ	1	O-ring EPDM .....		9611-99-3360	9611-99-3360	9611-99-3360	9611-99-3360	9611-99-3368
	1	O-ring NBR .....		9611-99-0092	9611-99-0092	9611-99-0092	9611-99-0092	9611-99-0091
	1	O-ring FPM .....		9611-99-3361	9611-99-3361	9611-99-3361	9611-99-3361	9611-99-3369
20Δ	1	O-ring NBR .....		9611-99-0097	9611-99-0097	9611-99-0097	9611-99-0097	9611-99-0096
22	1	Gable gland .....		31801-0154-5	31801-0154-5	31801-0154-5	31801-0154-5	31801-0154-5
23	1	Direction arrow .....		9611-99-2519	9611-99-2519	9611-99-2519	9611-99-2519	9611-99-2519
24	1	Cover .....						9611-60-2066
	1	Cover (Period 9401-) .....		9611-60-2118	9611-60-2118	9611-60-2118	9611-60-2118	
	1	Cover (Period -9401) .....		9611-60-2008	9611-60-2008	9611-60-2008	9611-60-2008	
25	1	Fixing clamp .....						9611-60-2067
25a	1	Fixing clamp (Period 9401-) .....		9611-60-2113	9611-60-2113	9611-60-2113	9611-60-2113	
	1	Fixing clamp (Period -9401) .....		9611-60-2009	9611-60-2009	9611-60-2009	9611-60-2009	
26	4	Nut .....						
	2	Nut .....		9611-99-0248	9611-99-0248	9611-99-0248	9611-99-0248	9611-99-0248
27	1	Washer .....		9611-99-0733	9611-99-0733	9611-99-0733	9611-99-0733	9611-99-0733
28	1	Top nut .....		9611-99-1696	9611-99-1696	9611-99-1696	9611-99-1696	9611-99-1696
29	1	Guard for motor .....		9611-60-3361	9611-60-3361	9611-60-3361	9611-60-3361	9611-60-3341
30	1	Screw .....		9611-99-1376	9611-99-1376	9611-99-1376	9611-99-1376	9611-99-1376
31	1	O-ring .....		9611-99-0973	9611-99-0973	9611-99-0973	9611-99-0973	9611-99-0972
<b>Alternative</b>								
4Δ	1	Shaft seal Sic./Sic. EPDM (Period 9801-) ..		9611-99-3303	9611-99-3303	9611-99-3303	9611-99-3303	9611-99-3308
	1	Shaft seal Sic./Sic. NBR (Period 9801-) ..		9611-99-3302	9611-99-3302	9611-99-3302	9611-99-3302	9611-99-3307
	1	Shaft seal Sic./Sic. FPM (Period 9801-) ..		9611-99-3346	9611-99-3346	9611-99-3346	9611-99-3346	9611-99-3348
Δ		<b>Service kit, EPDM .....</b>		<b>9611-92-5010</b>	<b>9611-92-5010</b>	<b>9611-92-5010</b>	<b>9611-92-5010</b>	<b>9611-92-5011</b>
Δ		<b>Service kit, NBR 9611-92-5020 .....</b>		<b>9611-92-5021</b>	<b>9611-92-5021</b>	<b>9611-92-5021</b>	<b>9611-92-5022</b>	
Δ		<b>Service kit, FPM .....</b>		<b>9611-92-5024</b>	<b>9611-92-5024</b>	<b>9611-92-5024</b>	<b>9611-92-5024</b>	<b>9611-92-5025</b>

Parts marked with Δ are included in the **Service kit**.

# Agitator Type LKR-5

6



# Agitator Type LKR-5

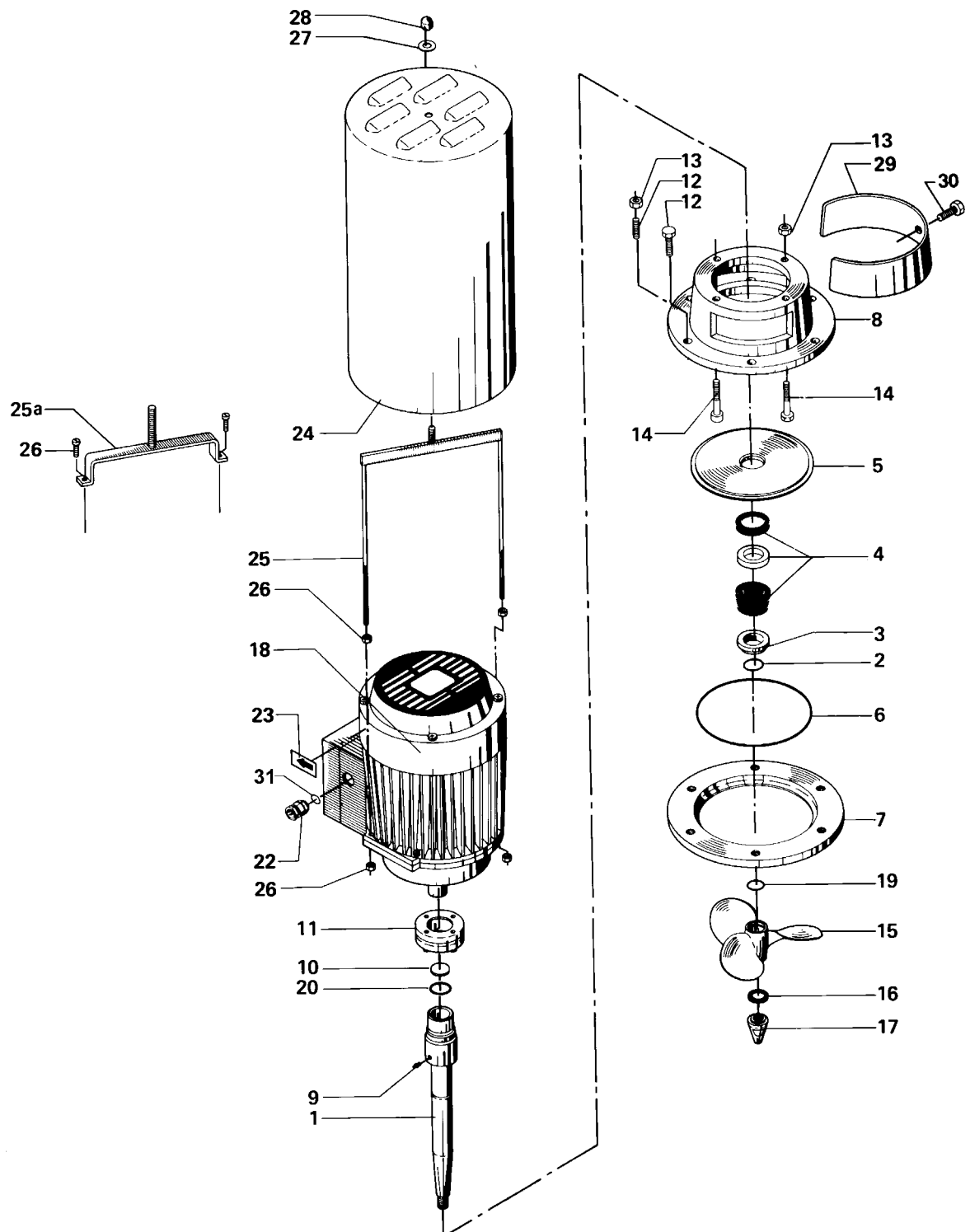
Pos.	Qty.	Denomination	Motor (kW)	1.5	2.2	3	3	AISI 316
			Propel.diameter RPM	200 950	200 1430	200 1430	300 700	5.5 300 950
1	1	Propeller shaft .....		9611-63-2098	9611-63-2098	9611-63-2098	9611-63-2001	9611-63-2001
2Δ	1	O-ring EPDM .....		9611-99-2252	9611-99-2252	9611-99-2252	9611-99-3304	9611-99-3304
	1	O-ring NBR .....		223406-49	223406-49	223406-49	9611-99-0079	9611-99-0079
	1	O-ring FPM .....		9611-99-2253	9611-99-2253	9611-99-2253	9611-99-1964	9611-99-1964
3	1	Fixing-ring .....		9611-63-2011	9611-63-2011	9611-63-2011	9611-63-2002	9611-63-2002
4Δ	1	Shaft seal C/Sic. EPDM (Period 9801-) ...		9611-99-3306	9611-99-3306	9611-99-3306	9611-99-3301	9611-99-3301
	1	Shaft seal C/Sic. NBR (Period 9801-) ....		9611-99-3305	9611-99-3305	9611-99-3305	9611-99-3300	9611-99-3300
	1	Shaft seal C/Sic. FPM (Period 9801-) .....		9611-99-3347	9611-99-3347	9611-99-3347	9611-99-3345	9611-99-3345
	1	Shaft seal, NBR, Stationary-ring, .....		9611-99-0192	9611-99-0192	9611-99-0192	9611-99-0185	9611-99-0185
		Alu. Oxyd (Period -9801)						
	1	Shaft seal, NBR Stationary-ring .....		9611-99-0191	9611-99-0191	9611-99-0191	9611-99-0184	9611-99-0184
		(AISI 316) (Period -9801)						
	1	Shaft seal, FPM, Stationary-ring, .....		9611-99-0193	9611-99-0193	9611-99-0193	9611-99-0186	9611-99-0186
		Alu. Oxyd (Period -9801)						
5	1	Front plate .....		9611-63-2099	9611-63-2099	9611-63-2099	9611-63-2003	9611-63-2003
6Δ	1	O-ring EPDM .....		9611-99-3364	9611-99-3364	9611-99-3364	9611-99-3366	9611-99-3366
	1	O-ring NBR .....		9611-99-0068	9611-99-0068	9611-99-0068	9611-99-0069	9611-99-0069
	1	O-ring FPM .....		9611-99-3365	9611-99-3365	9611-99-3365	9611-99-1965	9611-99-1965
7	1	Welding flange .....		9611-63-2042	9611-63-2042	9611-63-2042	9611-63-2013	9611-63-2013
8	1	Motor console .....		9611-60-2080	9611-60-2080	9611-60-2080	9611-60-2004	9611-60-2004
9	1	Grease nipple .....		9611-99-0869	9611-99-0869	9611-99-0869	9611-99-0869	9611-99-0869
10	1	Washer .....		9611-60-2015	9611-60-2015	9611-60-2015	9611-60-2005	9611-60-2005
11	1	Shrink ring .....		9611-99-0919	9611-99-0919	9611-99-0919	9611-99-0877	9611-99-0877
12	6	Set screw .....		9611-99-0365	9611-99-0365	9611-99-0365		
	6	Pointed screw .....					9611-99-0363	9611-99-0363
13	10	Lock nut .....					9611-99-0312	9611-99-0312
	6	Lock nut .....						
14	4	Allen screw .....		9611-99-0246	9611-99-0246	9611-99-0246		
	4	Hexagon screw .....					9611-99-0364	9611-99-0364
15	1	Propeller .....		9611-60-2100	9611-60-2100	9611-60-2100	9611-60-2006	9611-60-2006
16	1	Fibre washer .....		9611-60-2069	9611-60-2069	9611-60-2069	9611-60-2017	9611-60-2017
17	1	Nut .....		9611-63-2068	9611-63-2068	9611-63-2068	9611-63-2018	9611-63-2018
18	1	Motor .....		9611-99-0837	9611-99-0838	9611-99-0839		
	1	Motor (Period 9401-) .....					9612-3910-11	9612-3910-13
	1	Motor (Period -9401) .....					9611-99-0889	9611-99-0890
19Δ	1	O-ring EPDM .....		9611-99-3362	9611-99-3362	9611-99-3362	9611-99-3360	9611-99-3360
	1	O-ring NBR .....		9611-99-0096	9611-99-0096	9611-99-0096	9611-99-0092	9611-99-0092
	1	O-ring FPM .....		9611-99-3363	9611-99-3363	9611-99-3363	9611-99-3361	9611-99-3361
20Δ	1	O-ring NBR .....		9611-99-0096	9611-99-0096	9611-99-0096	9611-99-0097	9611-99-0097
22	1	Gable gland .....		31801-0154-4	31801-0154-4	31801-0154-4	31801-0154-5	31801-0154-5
23	1	Direction arrow .....		9611-99-2519	9611-99-2519	9611-99-2519	9611-99-2519	9611-99-2519
24	1	Cover .....		9611-60-2082	9611-60-2082	9611-60-2082		
	1	Cover (Period 9401-) .....					9611-60-2118	9611-60-2118
	1	Cover (Period -9401) .....					9611-60-2008	9611-60-2008
25	1	Fixing clamp .....		9611-60-2050	9611-60-2050	9611-60-2050		
25a	1	Fixing clamp (Period 9401-) .....					9611-60-2113	9611-60-2113
	1	Fixing clamp (Period -9401) .....					9611-60-2009	9611-60-2009
26	4	Nut .....		9611-99-0309	9611-99-0309	9611-99-0309		
	2	Nut .....					9611-99-0248	9611-99-0248
27	1	Washer .....		9611-99-0733	9611-99-0733	9611-99-0733	9611-99-0733	9611-99-0733
28	1	Top nut .....		9611-99-1696	9611-99-1696	9611-99-1696	9611-99-1696	9611-99-1696
29	1	Guard for motor .....		9611-60-3351	9611-60-3351	9611-60-3351	9611-60-3361	9611-60-3361
30	1	Screw .....		9611-99-1376	9611-99-1376	9611-99-1376	9611-99-1376	9611-99-1376
31	1	O-ring .....		9611-99-0972	9611-99-0972	9611-99-0972	9611-99-0973	9611-99-0973
<b>Alternative</b>								
4Δ	1	Shaft seal Sic./Sic. EPDM (Period 9801-) ..		9611-99-3308	9611-99-3308	9611-99-3308	9611-99-3303	9611-99-3303
	1	Shaft seal Sic./Sic. NBR (Period 9801-) ..		9611-99-3307	9611-99-3307	9611-99-3307	9611-99-3302	9611-99-3302
	1	Shaft seal Sic./Sic. FPM (Period 9801-) ..		9611-99-3348	9611-99-3348	9611-99-3348	9611-99-3346	9611-99-3346
Δ		<b>Service kit .....</b>		<b>9611-92-5009</b>	<b>9611-92-5009</b>	<b>9611-92-5009</b>	<b>9611-92-5010</b>	<b>9611-92-5010</b>
Δ		<b>Service kit, NBR .....</b>		<b>9611-92-5020</b>	<b>9611-92-5020</b>	<b>9611-92-5021</b>	<b>9611-92-5021</b>	<b>9611-92-5021</b>
Δ		<b>Service kit, FPM .....</b>		<b>9611-92-5023</b>	<b>9611-92-5023</b>	<b>9611-92-5024</b>	<b>9611-92-5024</b>	<b>9611-92-5024</b>

Parts marked with Δ are included in the **Service kit**.

# Agitator Type LKR-5

(Same drawing as on page 6)

8



# Agitator Type LKR-5

Pos.	Qty.	Denomination	Motor (kW)	3	4	5.5	7.5	AISI 316
			Propel.diameter RPM	250 950	250 950	250 1430	250 1430	2.2 250 950
1	1	Propeller shaft .....		9611-63-2001	9611-63-2001	9611-63-2001	9611-63-2001	9611-63-2010
2Δ	1	O-ring EPDM .....		9611-99-3304	9611-99-3304	9611-99-3304	9611-99-3304	9611-99-2252
	1	O-ring NBR .....		9611-99-0079	9611-99-0079	9611-99-0079	9611-99-0079	223406-49
	1	O-ring FPM .....		9611-99-1964	9611-99-1964	9611-99-1964	9611-99-1964	9611-99-2253
3	1	Fixing-ring .....		9611-63-2002	9611-63-2002	9611-63-2002	9611-63-2002	9611-63-2011
4Δ	1	Shaft seal C/Sic. EPDM (Period 9801-) ...		9611-99-3301	9611-99-3301	9611-99-3301	9611-99-3301	9611-99-3306
	1	Shaft seal C/Sic. NBR (Period 9801-) ....		9611-99-3300	9611-99-3300	9611-99-3300	9611-99-3300	9611-99-3305
	1	Shaft seal C/Sic. FPM (Period 9801-) .....		9611-99-3345	9611-99-3345	9611-99-3345	9611-99-3345	9611-99-3347
	1	Shaft seal, NBR, Stationary-ring, .....		9611-99-0185	9611-99-0185	9611-99-0185	9611-99-0185	9611-99-0192
		Alu. Oxyd (Period -9801)						
	1	Shaft seal, NBR Stationary-ring .....		9611-99-0184	9611-99-0184	9611-99-0184	9611-99-0184	9611-99-0191
		(AISI 316) (Period -9801)						
	1	Shaft seal, FPM, Stationary-ring, .....		9611-99-0186	9611-99-0186	9611-99-0186	9611-99-0186	9611-99-0193
		Alu. Oxyd (Period -9801)						
5	1	Front plate .....		9611-63-2003	9611-63-2003	9611-63-2003	9611-63-2003	9611-63-2012
6Δ	1	O-ring EPDM .....		9611-99-3366	9611-99-3366	9611-99-3366	9611-99-3366	9611-99-3366
	1	O-ring NBR .....		9611-99-0069	9611-99-0069	9611-99-0069	9611-99-0069	9611-99-0069
	1	O-ring FPM .....		9611-99-1965	9611-99-1965	9611-99-1965	9611-99-1965	9611-99-1965
7	1	Welding flange .....		9611-63-2013	9611-63-2013	9611-63-2013	9611-63-2013	9611-63-2013
8	1	Motor console .....		9611-60-2004	9611-60-2004	9611-60-2004	9611-60-2004	9611-60-2014
9	1	Grease nipple .....		9611-99-0869	9611-99-0869	9611-99-0869	9611-99-0869	9611-99-0869
10	1	Washer .....		9611-60-2005	9611-60-2005	9611-60-2005	9611-60-2005	9611-60-2015
11	1	Shrink ring .....		9611-99-0877	9611-99-0877	9611-99-0877	9611-99-0877	9611-99-0919
12	6	Set screw .....						
	6	Pointed screw .....		9611-99-0363	9611-99-0363	9611-99-0363	9611-99-0363	9611-99-0363
13	10	Lock nut .....		9611-99-0312	9611-99-0312	9611-99-0312	9611-99-0312	
	6	Lock nut .....						9611-99-0312
14	4	Allen screw .....						9611-99-0246
	4	Hexagon screw .....		9611-99-0364	9611-99-0364	9611-99-0364	9611-99-0364	
15	1	Propeller .....		9611-60-2007	9611-60-2007	9611-60-2007	9611-63-2007	9611-60-2016
16	1	Fibre washer .....		9611-60-2017	9611-60-2017	9611-60-2017	9611-60-2017	9611-60-2017
17	1	Nut .....		9611-63-2018	9611-63-2018	9611-63-2018	9611-63-2018	9611-63-2018
18	1	Motor .....						9611-99-0856
	1	Motor (Period 9401-) .....		9612-3910-03	9612-3910-05	9612-3910-07	9612-3910-09	
	1	Motor (Period -9401) .....		9611-99-0873	9611-99-0874	9611-99-0875	9611-99-0876	
19Δ	1	O-ring EPDM .....		9611-99-3360	9611-99-3360	9611-99-3360	9611-99-3360	9611-99-3368
	1	O-ring NBR .....		9611-99-0092	9611-99-0092	9611-99-0092	9611-99-0092	9611-99-0091
	1	O-ring FPM .....		9611-99-3361	9611-99-3361	9611-99-3361	9611-99-3361	9611-99-3369
20Δ	1	O-ring NBR .....		9611-99-0097	9611-99-0097	9611-99-0097	9611-99-0097	9611-99-0096
22	1	Gable gland .....		31801-0154-5	31801-0154-5	31801-0154-5	31801-0154-5	31801-0154-5
23	1	Direction arrow .....		9611-99-2519	9611-99-2519	9611-99-2519	9611-99-2519	9611-99-2519
24	1	Cover .....						9611-60-2066
	1	Cover (Period 9401-) .....		9611-60-2118	9611-60-2118	9611-60-2118	9611-60-2118	
	1	Cover (Period -9401) .....		9611-60-2008	9611-60-2008	9611-60-2008	9611-60-2008	
25	1	Fixing clamp .....						9611-60-2067
25a	1	Fixing clamp (Period 9401-) .....		9611-60-2113	9611-60-2113	9611-60-2113	9611-60-2113	
	1	Fixing clamp (Period -9401) .....		9611-60-2009	9611-60-2009	9611-60-2009	9611-60-2009	
26	4	Nut .....						
	2	Nut .....		9611-99-0248	9611-99-0248	9611-99-0248	9611-99-0248	9611-99-0248
27	1	Washer .....		9611-99-0733	9611-99-0733	9611-99-0733	9611-99-0733	9611-99-0733
28	1	Top nut .....		9611-99-1696	9611-99-1696	9611-99-1696	9611-99-1696	9611-99-1696
29	1	Guard for motor .....		9611-60-3361	9611-60-3361	9611-60-3361	9611-60-3361	9611-60-3341
30	1	Screw .....		9611-99-1376	9611-99-1376	9611-99-1376	9611-99-1376	9611-99-1376
31	1	O-ring .....		9611-99-0973	9611-99-0973	9611-99-0973	9611-99-0973	9611-99-0972
<b>Alternative</b>								
4Δ	1	Shaft seal Sic./Sic. EPDM (Period 9801-) ..		9611-99-3303	9611-99-3303	9611-99-3303	9611-99-3303	9611-99-3308
	1	Shaft seal Sic./Sic. NBR (Period 9801-) ..		9611-99-3302	9611-99-3302	9611-99-3302	9611-99-3302	9611-99-3307
	1	Shaft seal Sic./Sic. FPM (Period 9801-) ..		9611-99-3346	9611-99-3346	9611-99-3348	9611-99-3348	9611-99-3348
Δ		<b>Service kit .....</b>		<b>9611-92-5010</b>	<b>9611-92-5010</b>	<b>9611-92-5010</b>	<b>9611-92-5010</b>	<b>9611-92-5011</b>
Δ		<b>Service kit, NBR .....</b>		<b>9611-92-5020</b>	<b>9611-92-5021</b>	<b>9611-92-5021</b>	<b>9611-92-5022</b>	
Δ		<b>Service kit, FPM .....</b>		<b>9611-92-5023</b>	<b>9611-92-5024</b>	<b>9611-92-5024</b>	<b>9611-92-5025</b>	

Parts marked with Δ are included in the **Service kit**.