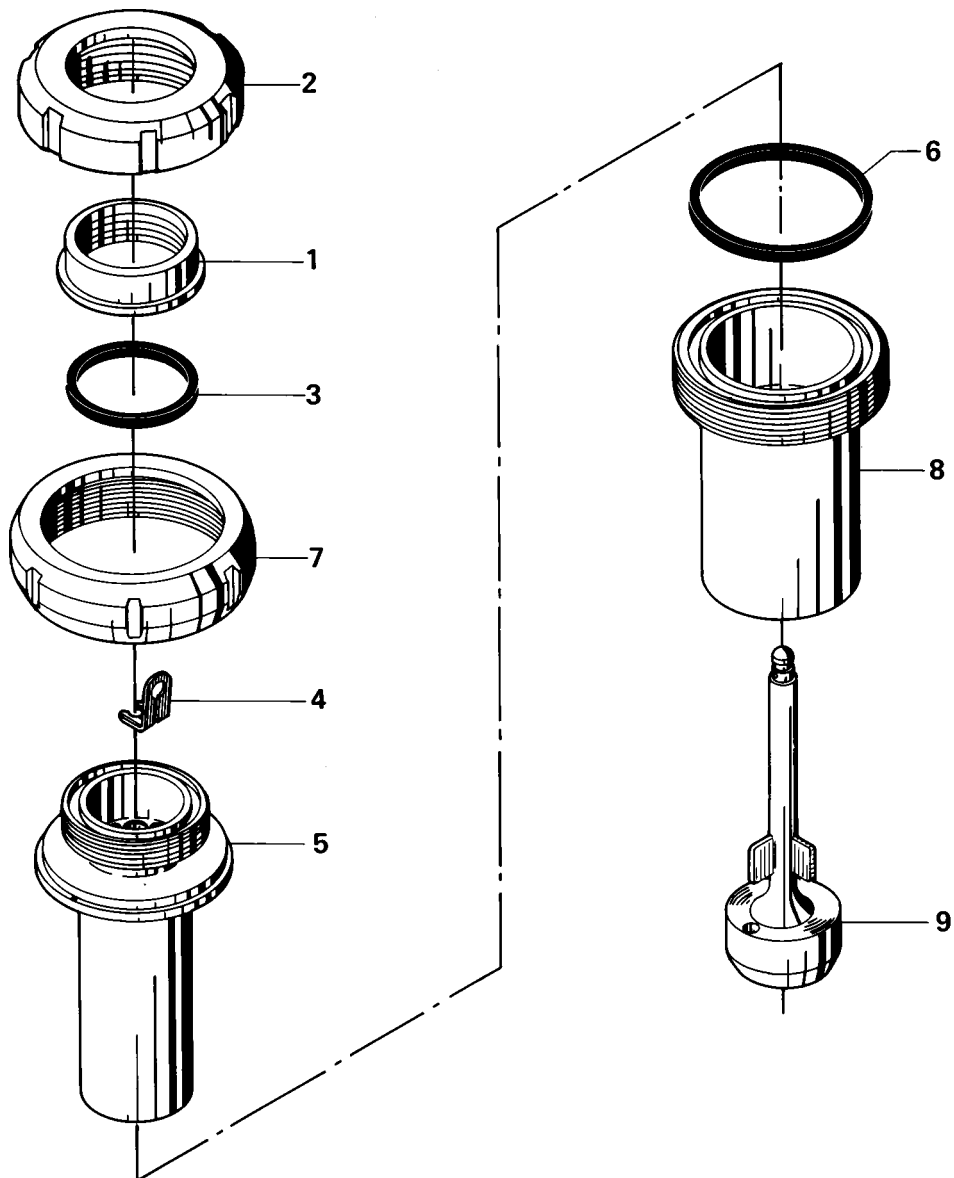


Disc Jet
Type LKRD

2



**Disc Jet
Type LKRD**

AISI 304

Pos.	Qty.	Denomination	31618-0057-1
1	1	Liner	190630
2	1	Nut	190616
3	1	Seal	190604
4	1	Locking device	31618-0058-1
5	1	Centre pipe	31618-0059-1
6	1	Seal	190606
7	1	Nut	190618
8	1	Attachment tube	31618-0060-1
9	1	Spray disc	31618-0061-1

Recommende spare parts: Pos. 3, 6.