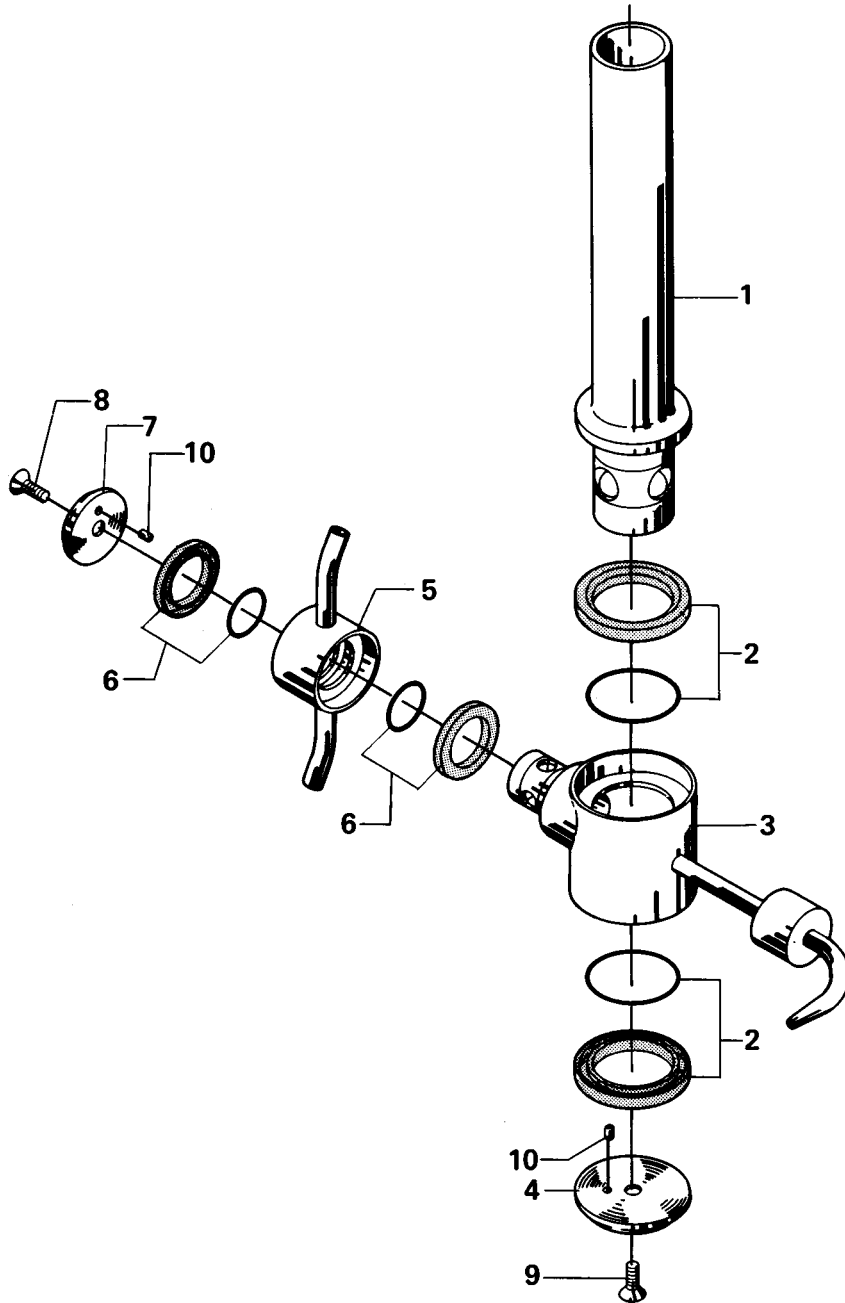


# Cleaning Turbine Type LKTA

2



# Cleaning Turbine Type LKTA

AISI 304

3

Pos.	Qty.	Denomination	31618-0050-2
1	1	Admission pipe .....	9611-71-057-0
2Δ	2	Seal ring .....	31618-0025-1
3	1	House .....	9611-71-060-0
4	1	End cover .....	9611-71-068-0
5	1	Rotor .....	31618-0049-1
6Δ	2	Seal ring .....	31618-0026-1
7	1	Rotor cover .....	9611-71-071-0
8	1	Screw .....	9611-99-1148
9	1	Screw .....	9611-99-1149
10	2	Pin .....	9611-71-067-0
Δ		<b>Service kit.....</b>	<b>9611-92-5001</b>

Parts marked with Δ are included in the **Service kit**.

Recommende spare parts: **Service kit**.