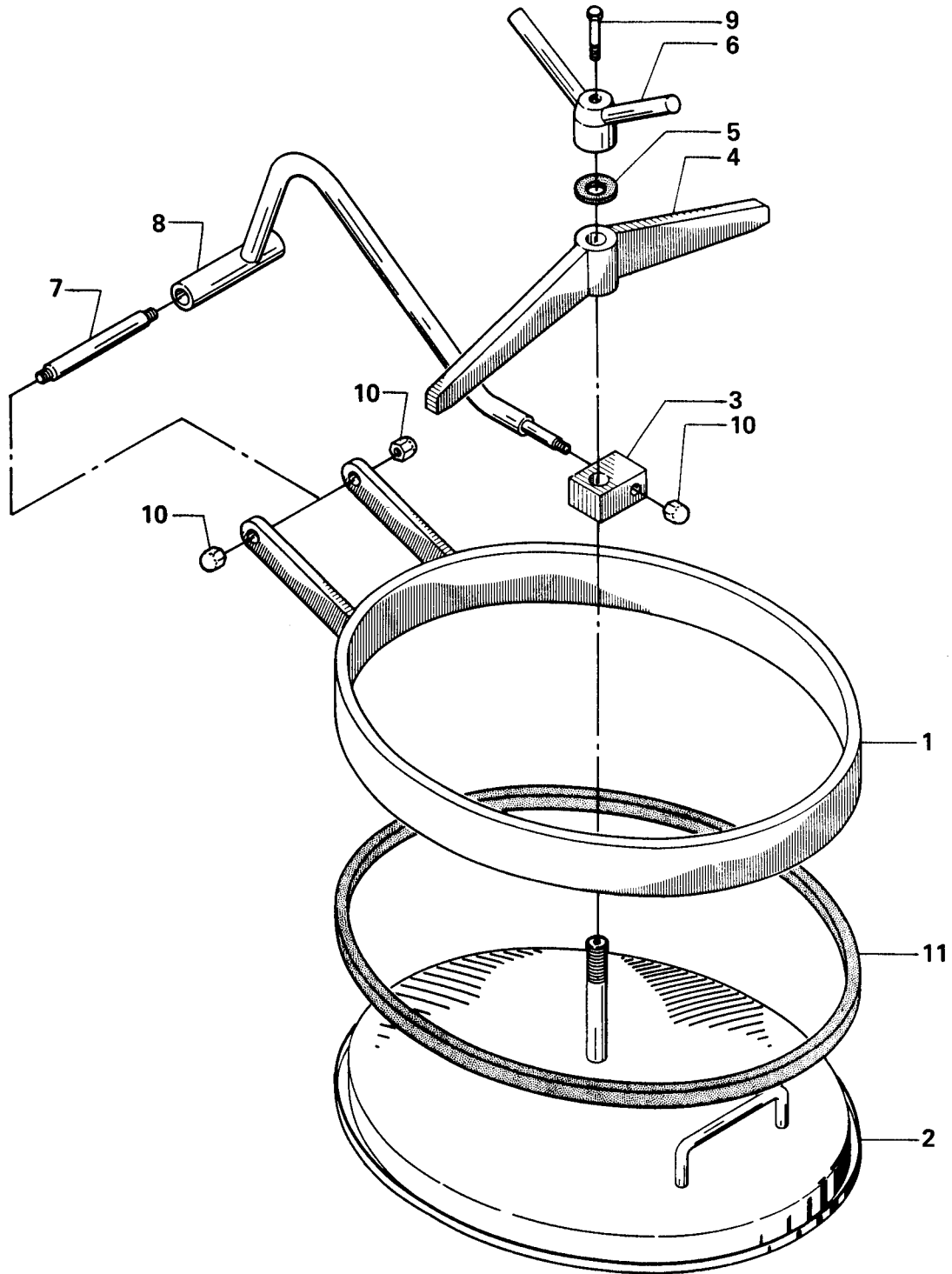


Oval Manhole Cover 510 x 410
Type LKD-LKDI

2



Oval Manhole Cover 510 x 410 Type LKD-LKDI

W.Nr. 1.4301 and 1.4401

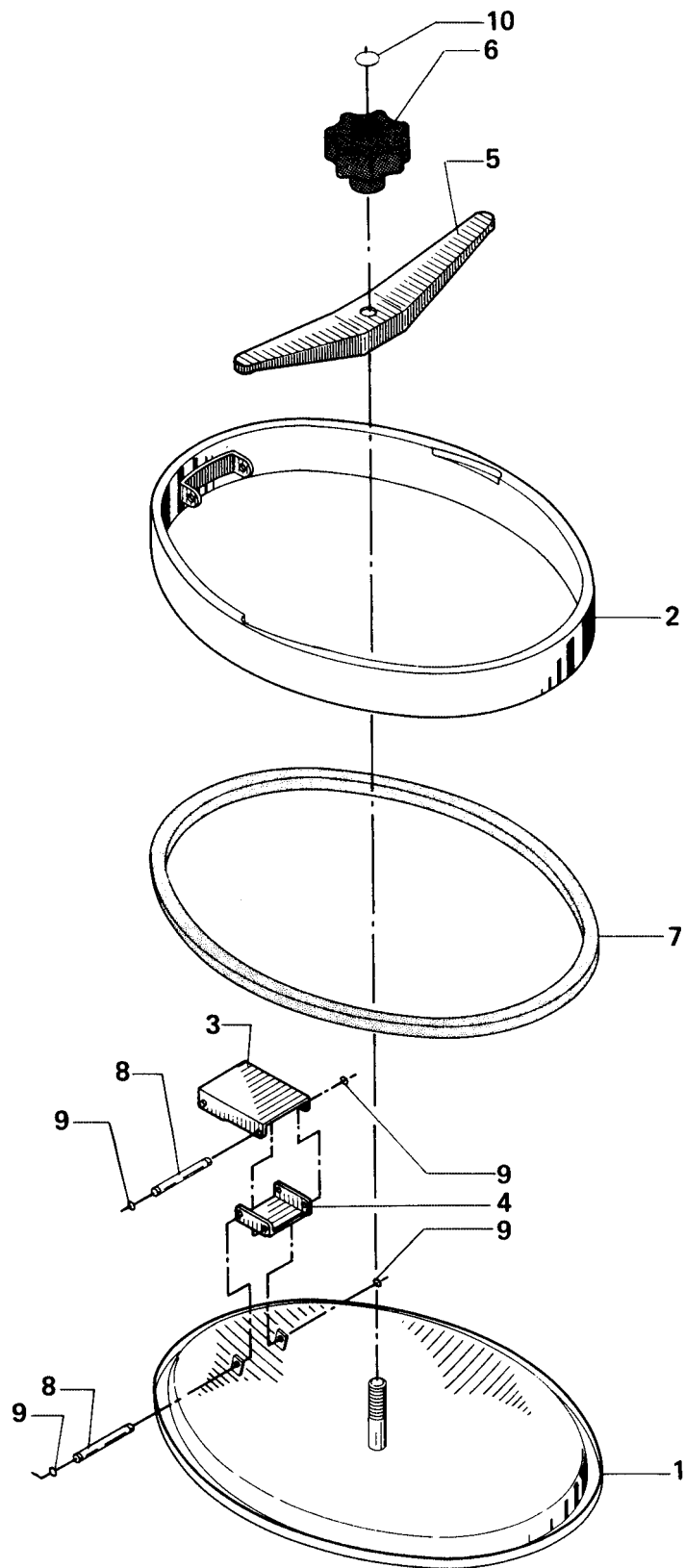
Pos.	Qty.	Denomination	LKD	LKDI	LKD	LKDI
			9612-6323-01	9612-6324-01	9612-6323-02	9612-6324-02
			Low Frame	High Frame	Low Frame	High Frame
			W.Nr. 1.4301	W.Nr. 14301	W.Nr. 1.4401	W.Nr. 1.4401
1	1	Frame	9612-6053-01	9612-6054-01	9612-6053-02	9612-6054-02
2	1	Cover	9612-6073-01	9612-6073-01	9612-6073-02	9612-6073-02
3	1	Hub	9612-6076-01	9612-6076-01	9612-6076-01	9612-6076-01
4	1	Toggle	9612-6065-01	9612-6066-01	9612-6065-01	9612-6066-01
5	1	Trust collar	9612-6075-01	9612-6075-01	9612-6075-01	9612-6075-01
6	1	Top nut	9612-6077-01	9612-6077-01	9612-6077-01	9612-6077-01
7	2	Screw	9611-99-1760	9611-99-1760	9611-99-1760	9611-99-1760
8	1	Suspension arm	9612-6047-01	9612-6048-01	9612-6047-01	9612-6048-01
9	1	Clip	9611-99-0704	9611-99-0704	9611-99-0704	9611-99-0704
10	3	Nut	9611-99-1761	9611-99-1761	9611-99-1761	9611-99-1761
11	1	Seal NBR (Std.)	9611-70-2057	9611-70-2057	9611-70-2057	9611-70-2057
	1	Seal EPDM	9611-70-159-0	9611-70-159-0	9611-70-159-0	9611-70-159-0
	1	Seal FPM	9611-70-159-3	9611-70-159-3	9611-70-159-3	9611-70-159-3
	1	Seal Silicone (Q)	9611-70-159-2	9611-70-159-2	9611-70-159-2	9611-70-159-2

Recommended spare parts: Pos. 11.

900-184

Oval Manhole Cover 440 x 320
Type LKD

4



Oval Manhole Cover 440 x 320 Type LKD

W.Nr. 1.4301 and 1.4401

9612-6320-05
9612-6320-06

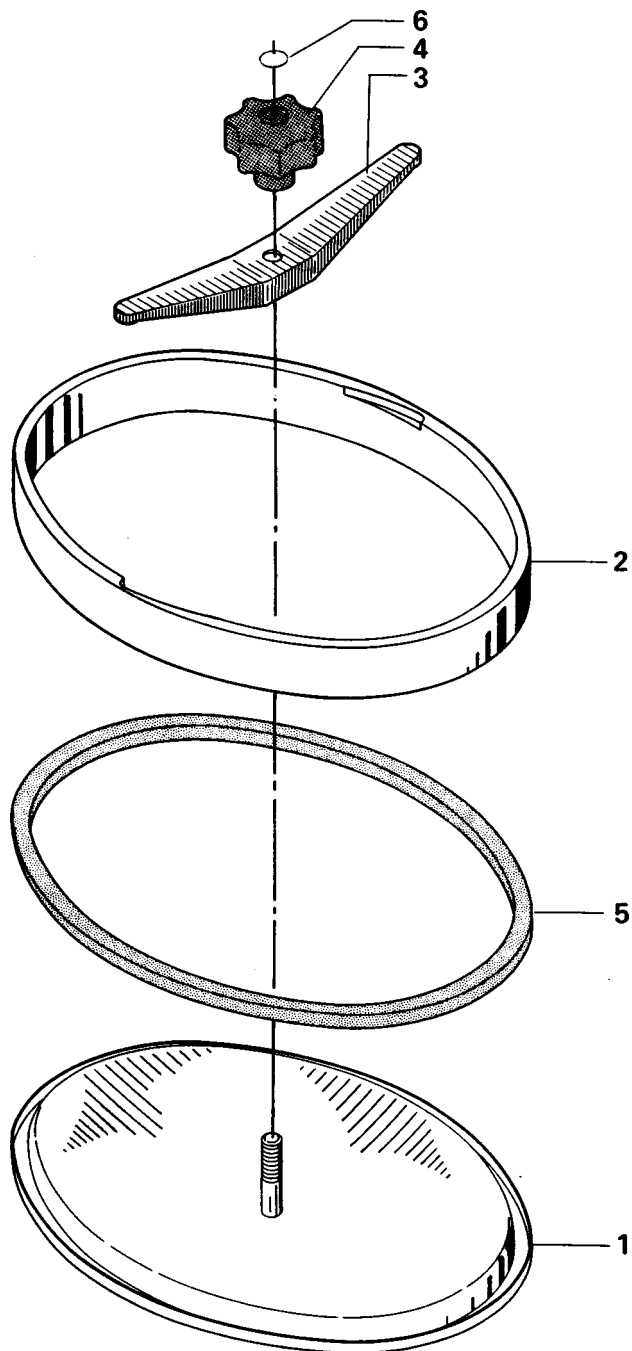
Pos.	Qty.	Denomination	
1	1	Cover	9611-70-033-1
2	1	Frame	9611-70-048-1
3	1	Big mounting	9611-70-044-0
4	1	Small mounting	9611-70-036-0
5	1	Toggle	9611-70-034-0
6	1	Handle, blue	9611-70-067-2
7	1	Seal - NBR (Std.)	9611-70-051-0
	1	Seal - Silicone (Q)	9611-70-051-1
	1	Seal - EPDM	9611-70-051-2
8	2	Pin	9611-70-039-0
9	4	O-ring	223403-02
10	1	Capsule, blue	9611-70-064-4

Recommende spare parts: Pos. 7.

900185

Oval Manhole Cover 440 x 320
Type LKD

6



Oval Manhole Cover 440 x 320 Type LKD

W.Nr. 1.4301 and 1.4401

9612-6320-01
9612-6320-02

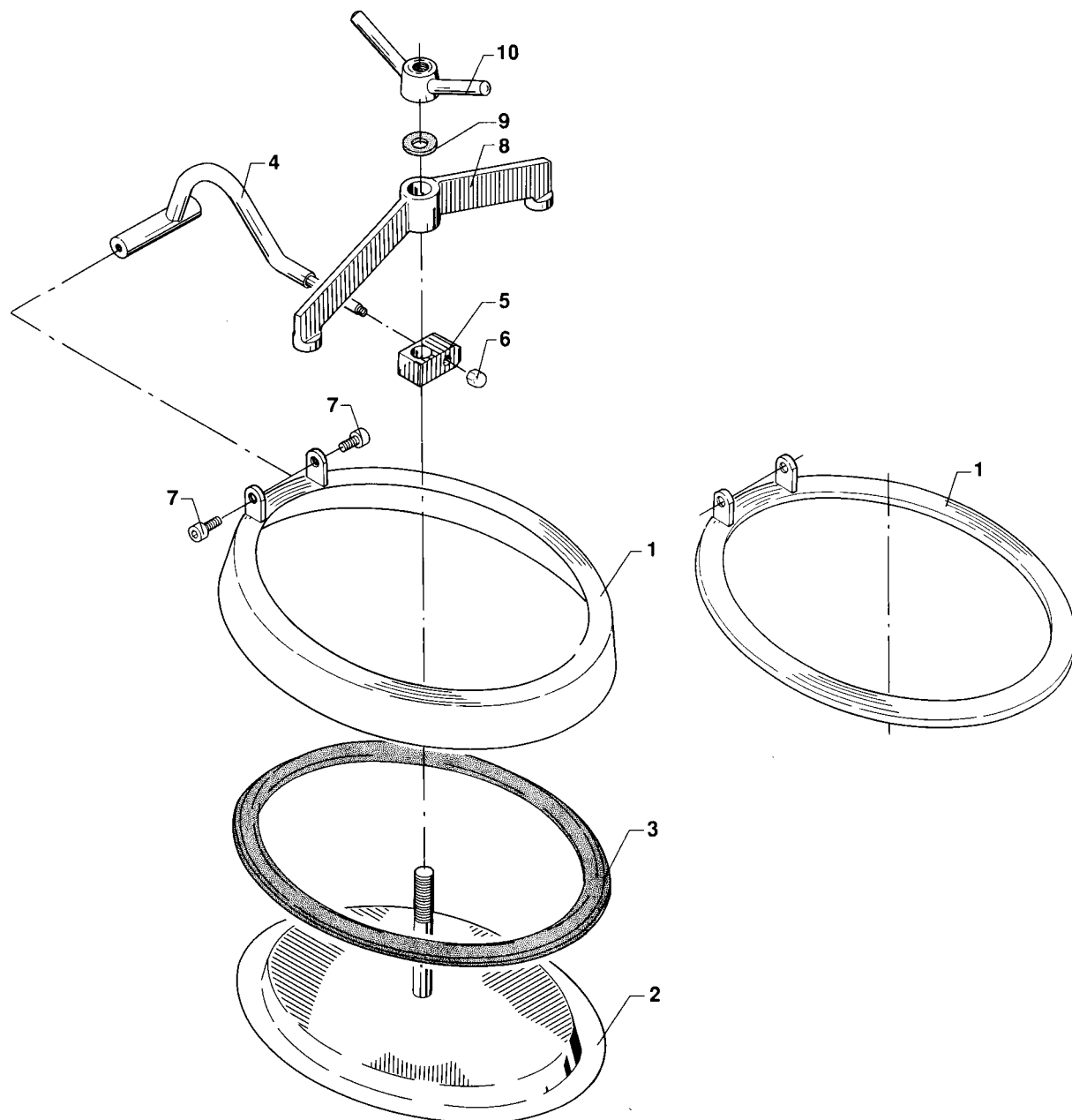
<u>Pos.</u>	<u>Qty.</u>	<u>Denomination</u>	
1	1	Cover	9611-70-077-1
2	1	Frame	9611-70-030-1
3	1	Bracket	9611-70-034-0
4	1	Handle, blue	9611-70-067-2
5	1	Seal (NBR)	9611-70-051-0
	1	Seal (Q)	9611-70-051-1
	1	Seal (EPDM)	9611-70-051-2
6	1	Capsule, blue	9611-70-064-4

Recommende spare parts: Pos. 5.

900186

Oval Manhole Cover 450 x 350 Type LKD

8



Oval Manhole Cover 450 x 350 Type LKD

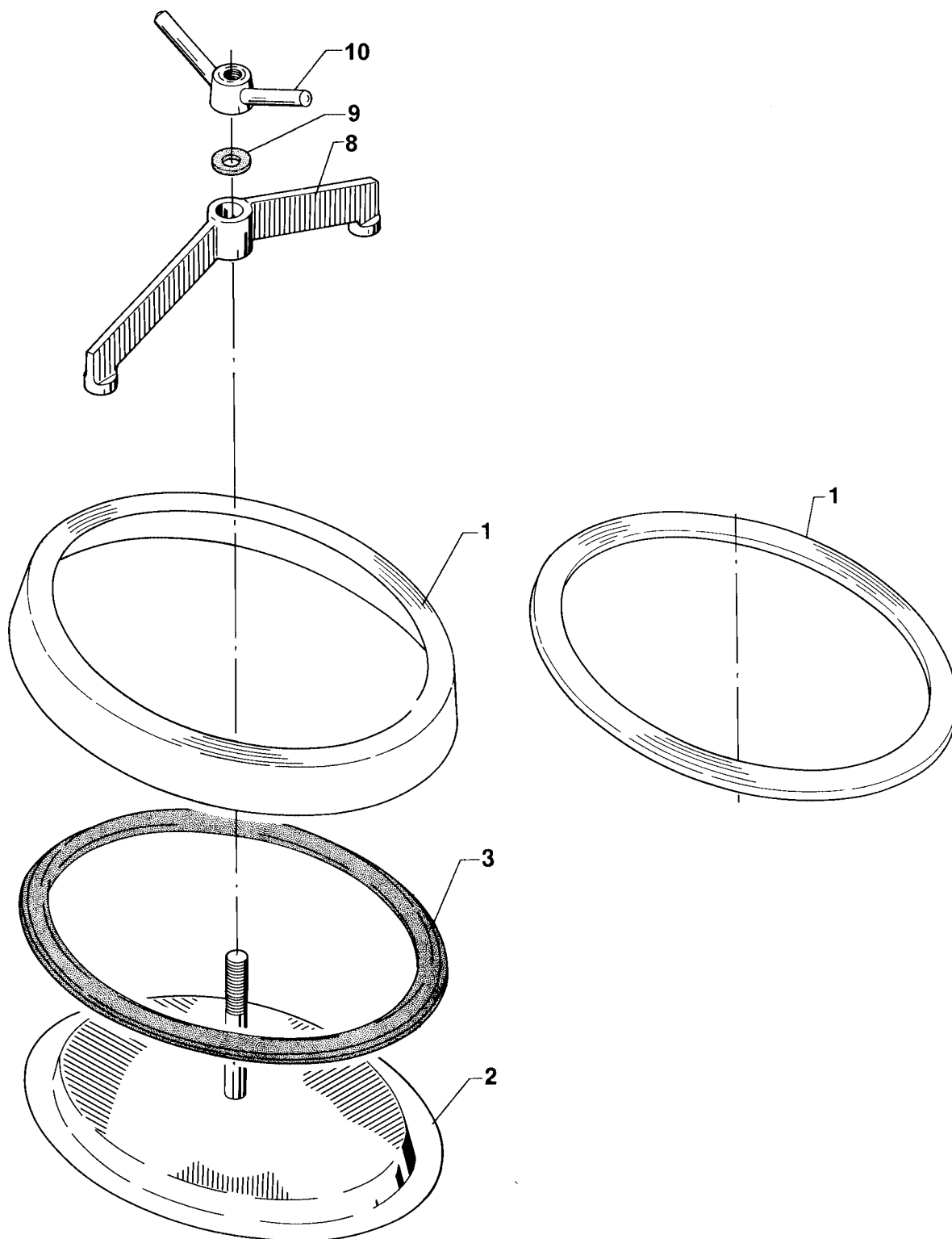
Pos.	Qty.	Denomination	With angle shaped frame and left-hand hinge		With flat frame and left-hand hinge	
			W.1. 4301	W.1. 4571	W.1. 4301	W.1. 4571
1	1	Frame 70x3	9612-1719-01	9612-1719-02		
	1	Frame 70x4	9612-1719-03	9612-1719-04		
	1	Frame 100x3	9612-1719-05	9612-1719-06		
	1	Frame 100x4	9612-1719-07	9612-1719-08		
	1	Frame 140x3	9612-1719-09	9612-1719-10		
	1	Frame 140x4	9612-1719-11	9612-1719-12		
	1	Frame 10x30			9612-1722-01	9612-1722-02
	1	Frame 10x30			9612-1722-03	9612-1722-04
2	1	Cover 3 mm	9612-6071-01	9612-6071-02	9612-6071-01	9612-6071-02
	1	Cover 4 mm	9612-6071-03	9612-6071-04	9612-6071-03	9612-6071-04
3	1	Seal, NBR (Standard)	9612-1710-04	9612-1710-04	9612-1710-04	9612-1710-04
	1	Seal, EPDM	9612-1710-03	9612-1710-03	9612-1710-03	9612-1710-03
	1	Seal, FPM	9612-1710-02	9612-1710-02	9612-1710-02	9612-1710-02
	1	Seal, Q	9612-1710-01	9612-1710-01	9612-1710-01	9612-1710-01
4	1	Suspension arm	9612-1715-01	9612-1715-01	9612-1715-01	9612-1715-01
5	1	Hub	9612-6076-01	9612-6076-01	9612-6076-01	9612-6076-01
6	1	Nut	9611-99-1761	9611-99-1761	9611-99-1761	9611-99-1761
7	2	Screw	9611-99-1760	9611-99-1760	9611-99-1760	9611-99-1760
8	1	Toggle	9612-6067-01	9612-6067-01	9612-6067-01	9612-6067-01
9	1	Thrust plate	9612-6075-01	9612-6075-01	9612-6075-01	9612-6075-01
10	1	Clamping nut9612-6077-01	9612-6077-01	9612-6077-01	9612-6077-01	9612-6077-01
11	1	Clip	9611-99-0704	9611-99-0704	9611-99-0704	9611-99-0704

Recommended spare parts: Pos. 3.

900187

Oval Manhole Cover 450 x 350
Type LKD

10



Oval Manhole Cover 450 x 350 Type LKD

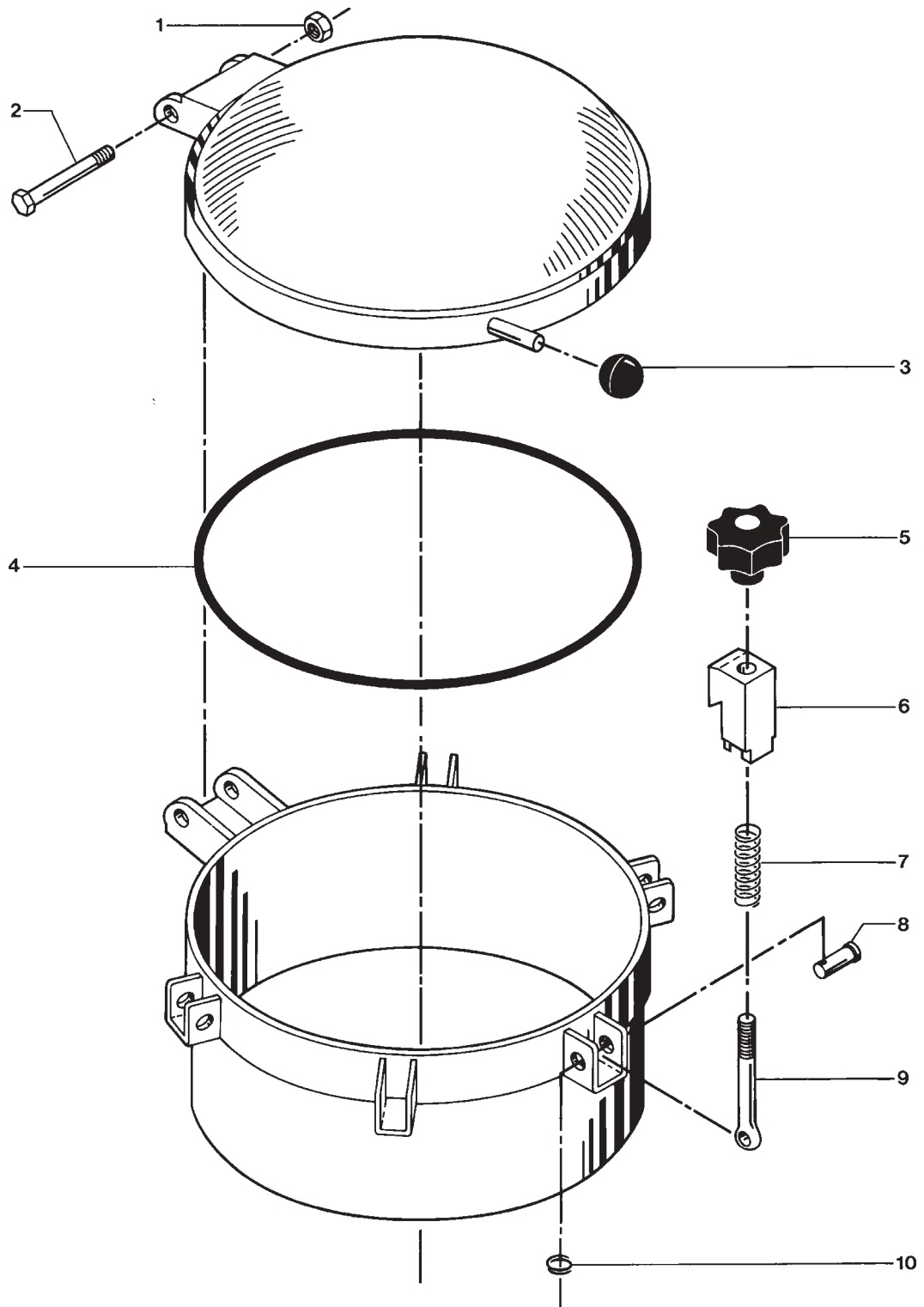
Pos.	Qty.	Denomination	With angle shaped frame without hinge		With flat frame without hinge	
			W.1. 4301	W.1. 4571	W.1. 4301	W.1. 4571
1	1	Frame 70x3	9612-1769-01	9612-1769-02		
	1	Frame 70x4	9612-1769-03	9612-1769-04		
	1	Frame 100x3	9612-1769-05	9612-1769-06		
	1	Frame 100x4	9612-1769-07	9612-1769-08		
	1	Frame 140x3	9612-1769-09	9612-1769-10		
	1	Frame 140x4	9612-1769-11	9612-1769-12		
	1	Frame 10x30			9612-1705-01	9612-1705-02
	1	Frame 10x30			9612-1705-03	9612-1705-04
2	1	Cover 3 mm	9612-6071-01	9612-6071-02	9612-6071-01	9612-6071-02
	1	Cover 4 mm	9612-6071-03	9612-6071-04	9612-6071-03	9612-6071-04
3	1	Seal, NBR (Standard)	9612-1710-04	9612-1710-04	9612-1710-04	9612-1710-04
	1	Seal, EPDM	9612-1710-03	9612-1710-03	9612-1710-03	9612-1710-03
	1	Seal, FPM	9612-1710-02	9612-1710-02	9612-1710-02	9612-1710-02
	1	Seal, Q	9612-1710-01	9612-1710-01	9612-1710-01	9612-1710-01
8	1	Toggle	9612-6067-01	9612-6067-01	9612-6067-01	9612-6067-01
9	1	Thrust plate	9612-6075-01	9612-6075-01	9612-6075-01	9612-6075-01
10	1	Clamping nut	9612-6077-01	9612-6077-01	9612-6077-01	9612-6077-01
11	1	Clip	9611-99-0704	9611-99-0704	9611-99-0704	9611-99-0704

Recommended spare parts: Pos. 3.

900188

Manhole Cover Type HLSD

12



Manhole Cover Type HLSD

Pos. Qty. Denomination

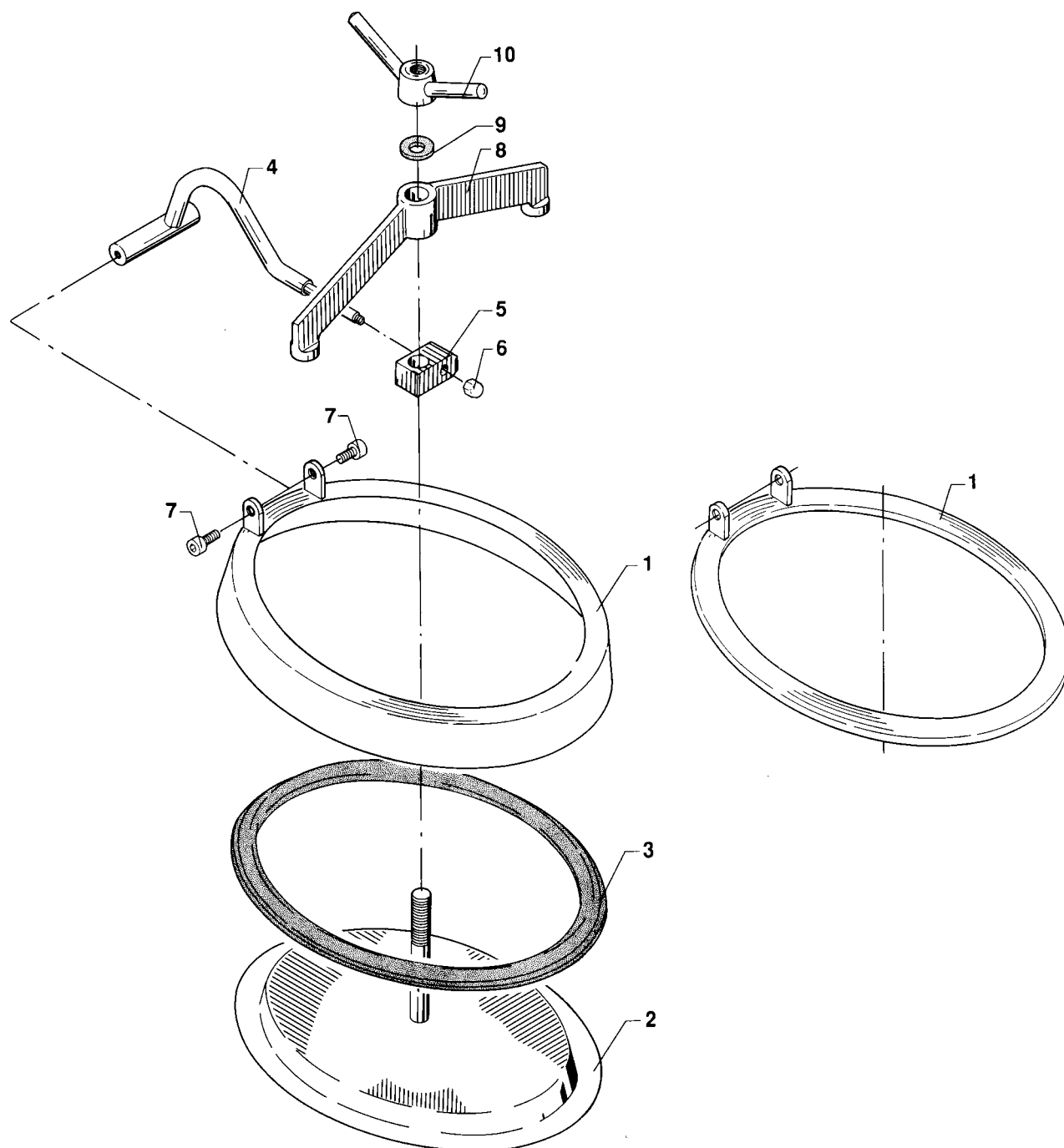
1	1	Nut	221891-15
2	1	Screw	221040-33
3	1	Ball handle	9611-99-1970
5		Handle (plast)	9611-70-067-1
		Handle (steel)	9612-5600-01
6		Hub ø400-ø800	9612-1747-01
		Hub ø200-ø300	9612-1747-03
7		Spring	9612-1751-01
8		Pin	9612-1750-01
9		Swing bolt	9612-1739-01
10		Ring pin	9611-99-2843

Pos.	Qty.	Denomination	ø200	ø300	ø400
4	1	Seal - silicone (Q) ..	9611-99-2862	9611-99-2867	9611-99-2054
	1	Seal - EPDM	9611-99-2863	9611-99-2868	9611-99-2055
	1	Seal - FPM	9611-99-2864	9611-99-2869	9611-99-2056
	1	Seal - FPM	9611-99-2866	9611-99-2871	9611-99-2058
	1	Seal - FEP	9611-99-2866	9611-99-2871	9611-99-2058

Pos.	Qty.	Denomination	ø450	ø500	ø600	ø800
4	1	Seal - silicone (Q) ..	9611-99-2059	9611-99-2064	9611-99-2069	9611-99-2840
	1	Seal - EPDM	9611-99-2060	9611-99-2065	9611-99-2070	9611-99-2873
	1	Seal - FPM1	9611-99-2061	9611-99-2066	9611-99-2071	9611-99-2874
	1	Seal - FPM	9611-99-2063	9611-99-2068	9611-99-2073	9611-99-2876
	1	Seal - FEP	9611-99-2063	9611-99-2068	9611-99-2073	9611-99-2876

Oval Manhole Cover 450 x 350 Type LKDP

14



Oval Manhole Cover 450 x 350 Type LKDP

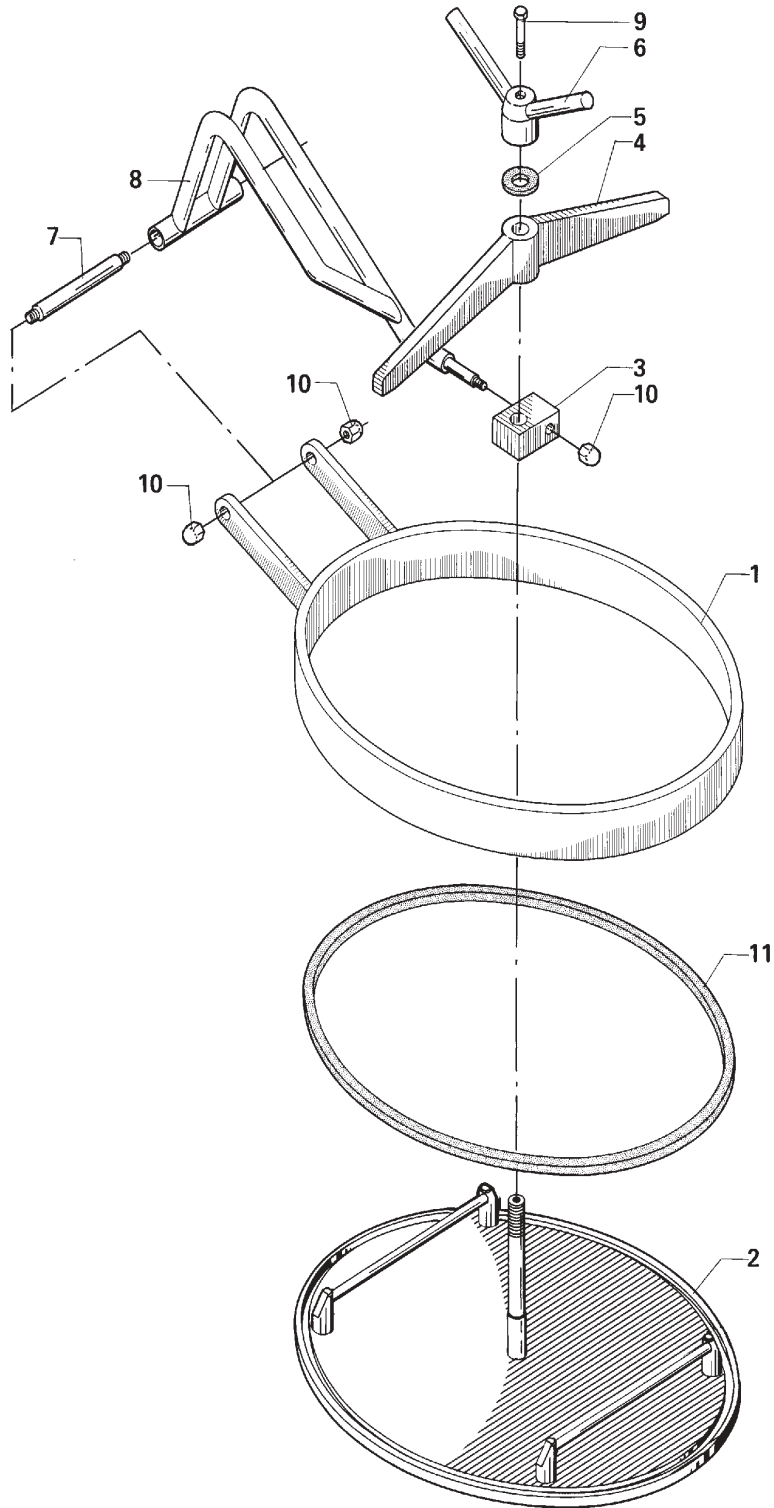
Pos.	Qty.	Denomination	With angle shaped frame and left-hand hinge		With flat frame and left-hand hinge	
			W.1. 4301	W.1. 4571	W.1. 4301	W.1. 4571
1	1	Frame 70x3	9612-1768-01	9612-1768-02		
	1	Frame 70x4	9612-1768-03	9612-1768-04		
	1	Frame 100x3	9612-1768-05	9612-1768-06		
	1	Frame 100x4	9612-1768-07	9612-1768-08		
	1	Frame 140x3	9612-1768-09	9612-1768-10		
	1	Frame 140x4	9612-1768-11	9612-1768-12		
	1	Frame 10x30			9612-1767-01	9612-1767-02
	1	Frame 10x30			9612-1767-03	9612-1767-04
2	1	Cover 3 mm	9612-6072-05	9612-6072-06	9612-6072-05	9612-6072-06
	1	Cover 4 mm	9612-6072-07	9612-6072-08	9612-6072-07	9612-6072-08
3	1	Seal, NBR (Std.)	9612-1710-04	9612-1710-04	9612-1710-04	9612-1710-04
	1	Seal, EPDM	9612-1710-03	9612-1710-03	9612-1710-03	9612-1710-03
	1	Seal, FPM	9612-1710-02	9612-1710-02	9612-1710-02	9612-1710-02
	1	Seal, Q	9612-1710-01	9612-1710-01	9612-1710-01	9612-1710-01
4	1	Suspension arm	9612-1715-01	9612-1715-01	9612-1715-01	9612-1715-01
5	1	Hub	9612-6076-01	9612-6076-01	9612-6076-01	9612-6076-01
6	1	Nut	9611-99-1761	9611-99-1761	9611-99-1761	9611-99-1761
7	2	Screw	9611-99-1760	9611-99-1760	9611-99-1760	9611-99-1760
8	1	Toggle	9612-6067-01	9612-6067-01	9612-6067-01	9612-6067-01
9	1	Thrust plate	9612-6075-01	9612-6075-01	9612-6075-01	9612-6075-01
10	1	Clamping nut	9612-6077-01	9612-6077-01	9612-6077-01	9612-6077-01
11	1	Clip	9611-99-0704	9611-99-0704	9611-99-0704	9611-99-0704

Recommende spare parts: Pos. 3.

900189

Oval Manhole Cover 510 x 410
Type LKTD & LKTDI

16



Oval Manhole Cover 510 x 410 Type LKTD & LKTDI

W.Nr. 1.4301

Pos.	Qty.	Denomination	LKTD	LKTD	LKTDI	LKTDI
			9612-6325-01	9612-9038-01	9612-6327-01	9612-9039-01
			10 mm cover	15 mm cover	10 mm cover	15 mm cover
1	1	Frame	9612-6053-01	9612-6053-01	9612-6054-01	9612-6054-01
2	1	Cover	9612-6074-01	9612-6074-03	9612-6074-01	9612-6074-01
3	1	Hub	9612-6076-02	9612-6076-02	9612-6076-02	9612-6076-02
4	1	Toggle	9612-6065-01	9612-6065-01	9612-6066-01	9612-6066-01
5	1	Trust collar	9612-6075-01	9612-6075-01	9612-6075-01	9612-6075-01
6	1	Top nut	9612-6077-01	9612-6077-01	9612-6077-01	9612-6077-01
7	2	Screw	9611-99-1760	9611-99-1760	9611-99-1760	9611-99-1760
8	1	Suspension arm	9612-6049-01	9612-6049-01	9612-6050-01	9612-6050-01
9	1	Clip	9611-99-0704	9611-99-0704	9611-99-0704	9611-99-0704
10	1	Nut	9611-99-1761	9611-99-1761	9611-99-1761	9611-99-1761
11	1	Seal NBR (Std.)	9611-70-2071	9611-70-2071	9611-70-2071	9611-70-2071
	1	Seal EPDM	9611-70-160-0	9611-70-160-0	9611-70-160-0	9611-70-160-0
	1	Seal FPM	9611-70-160-2	9611-70-160-2	9611-70-160-2	9611-70-160-2
	1	Seal Silicone (Q)	9611-70-160-4	9611-70-160-4	9611-70-160-4	9611-70-160-4

W.Nr. 1.4401

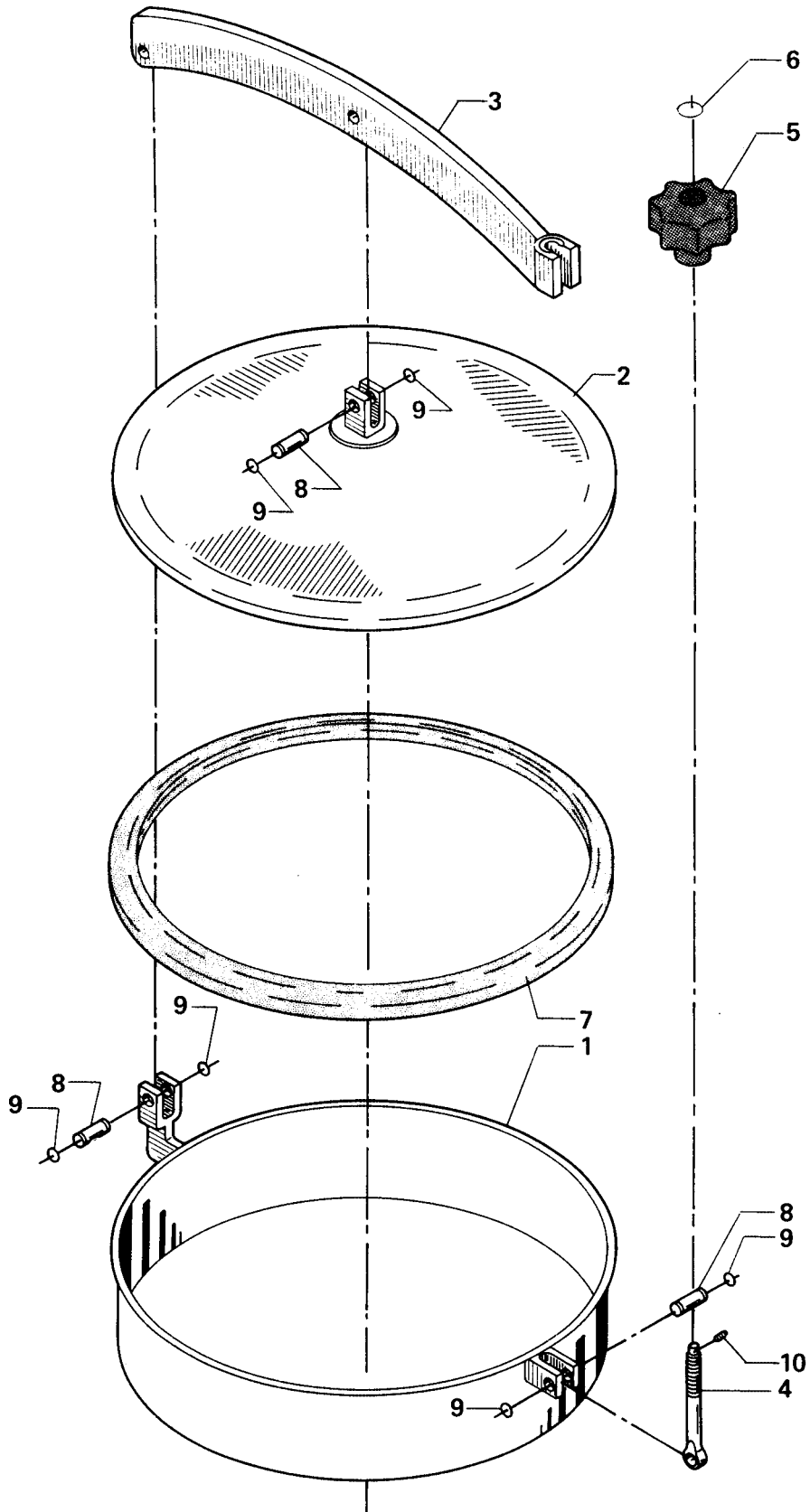
Pos.	Qty.	Denomination	LKTD	LKTD	LKTDI	LKTDI
			9612-6325-02	9612-9038-02	9612-6327-02	9612-9039-02
			10 mm cover	15 mm cover	10 mm cover	15 mm cover
1	1	Frame	9612-6053-02	9612-6053-02	9612-6054-02	9612-6054-02
2	1	Cover	9612-6074-02	9612-6074-04	9612-6074-02	9612-6074-04
3	1	Hub	9612-6076-02	9612-6076-02	9612-6076-02	9612-6076-02
4	1	Toggle	9612-6065-02	9612-6065-01	9612-6066-01	9612-6066-01
5	1	Trust collar	9612-6075-01	9612-6075-01	9612-6075-01	9612-6075-01
6	1	Top nut	9612-6077-01	9612-6077-01	9612-6077-01	9612-6077-01
7	2	Screw	9611-99-1760	9611-99-1760	9611-99-1760	9611-99-1760
8	1	Suspension arm	9612-6049-01	9612-6049-01	9612-6050-01	9612-6050-01
9	1	Clip	9611-99-0704	9611-99-0704	9611-99-0704	9611-99-0704
10	1	Nut	9611-99-1761	9611-99-1761	9611-99-1761	9611-99-1761
11	1	Seal NBR (Std.)	9611-70-2071	9611-70-2071	9611-70-2071	9611-70-2071
	1	Seal EPDM	9611-70-160-0	9611-70-160-0	9611-70-160-0	9611-70-160-0
	1	Seal FPM	9611-70-160-2	9611-70-160-2	9611-70-160-2	9611-70-160-2
	1	Seal Silicone (Q)	9611-70-160-4	9611-70-160-4	9611-70-160-4	9611-70-160-4

Recommende spare parts: Pos. 11.

900190

Manhole Cover Type LKDC

18



Manhole Cover Type LKDC

W.Nr. 1.4301 and 1.4404

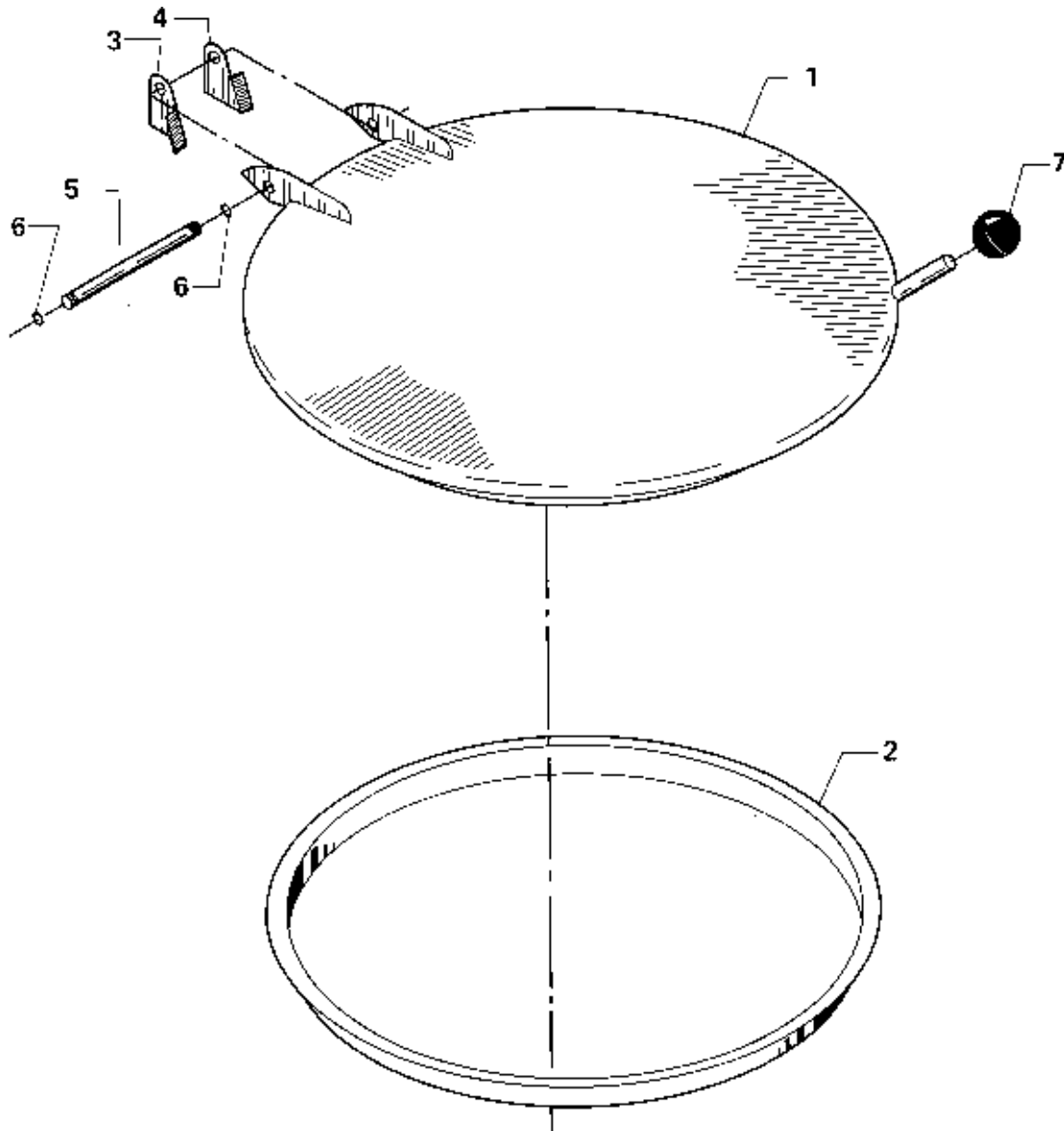
Pos.	Qty.	Denomination	Dia. 200	Dia. 300	Dia. 430	Dia. 500	Dia. 600	
1	1	Frame 85 mm (W.Nr. 1.4301)	9612-3435-01					
	1	Frame 85 mm (W.Nr. 1.4404)	9612-3435-02					
	1	Frame 100 mm (W.Nr. 1.4301)			9611-70-054-0	9611-70-127-0	9612-4982-01	
	1	Frame 100 mm (W.Nr. 1.4404)			9611-70-054-1	9611-70-127-1	9612-4982-02	
	1	Frame 150 mm (W.Nr. 1.4301)		9612-3442-01				
	1	Frame 150 mm (W.Nr. 1.4404)		9612-3442-02				
	1	Frame 200 mm (W.Nr. 1.4301)			9611-70-409-1	9611-70-412-1	9612-4982-03	
	1	Frame 200 mm (W.Nr. 1.4404)			9611-70-409-2	9611-70-412-2	9612-4982-04	
	2	1	Cover (W.Nr. 1.4301)	9612-3433-01	9612-3440-01	9611-70-210-2	9611-70-129-0	9612-4980-02
		1	Cover (W.Nr. 1.4404)	9612-3433-02	9612-3440-02	9611-73-210-2	9611-70-129-1	9612-4980-01
3	1	Bracket	9612-3437-01	9612-3444-01	9611-70-056-0	9611-70-131-0	9612-4978-01	
4	1	Swing bolt	9611-70-059-0	9611-70-059-0	9611-70-059-0	9611-70-059-0	9611-70-059-0	
5	1	Handle, blue	9611-70-063-2	9611-70-063-2	9611-70-063-2	9611-70-063-2	9611-70-063-2	
6	1	Capsule, blue	9611-70-064-4	9611-70-064-4	9611-70-064-4	9611-70-064-4	9611-70-064-4	
7	1	Seal - NBR (Standard)	9612-3179-01	9612-3180-01	9611-70-045-0	9611-70-125-0	9612-5128-02	
	1	Seal - EPDM	9612-3179-02	9612-3180-02	9611-70-045-1	9611-70-125-1	9612-5128-01	
	1	Seal - FPM	9612-3179-03	9612-3180-03	9611-70-045-2	9611-70-125-2	9612-5128-03	
8	3	Pin	9611-70-210-5	9611-70-210-5	9611-70-210-5	9611-70-210-5	9611-70-210-5	
9	6	Lockring, EPDM	9611-99-3309	9611-99-3309	9611-99-3309	9611-99-3309	9611-99-3309	
10	1	Connex-pin	9611-99-0561	9611-99-0561	9611-99-0561	9611-99-0561	9611-99-0561	

Recommende spare parts: Pos. 7.

900177

Round Dust Manhole Cover Type LKDS

20



Round Dust Manhole Cover Type LKDS

AISI 304 and 316

Pos.	Qty.	Denomination	9611-70-097-0	9611-70-097-1
			20 mm Frame AISI 304	20 mm Frame AISI 316
1	1	Cover	32010-1290-1	32010-1290-2
2	1	Frame 20 mm	32010-0764-1	32010-0764-2
3	1	Left hinge ear	32010-0918-1	32010-0918-1
4	1	Right hinge ear	32010-0919-1	32010-0919-1
5	1	Pin for handle	32010-0761-1	32010-0761-1
6	2	O-ring	9611-99-2677	9611-99-2677
7	1	Ball handle	9612-2899-01	9612-2899-01

Pos.	Qty.	Denomination	9612-1726-01	9612-1726-02
			100 mm Frame AISI 304	100 mm Frame AISI 316
1	1	Cover	32010-1290-1	32010-1290-2
2	1	Frame 100 mm	9612-1727-01	9612-1727-02
3	1	Left hinge ear	9612-3590-02	9612-3590-02
4	1	Right hinge ear	9612-3590-01	9612-3590-01
5	1	Pin for handle	32010-0761-1	32010-0761-1
6	2	O-ring	9611-99-2677	9611-99-2677
7	1	Ball handle	9612-2899-01	9612-2899-01