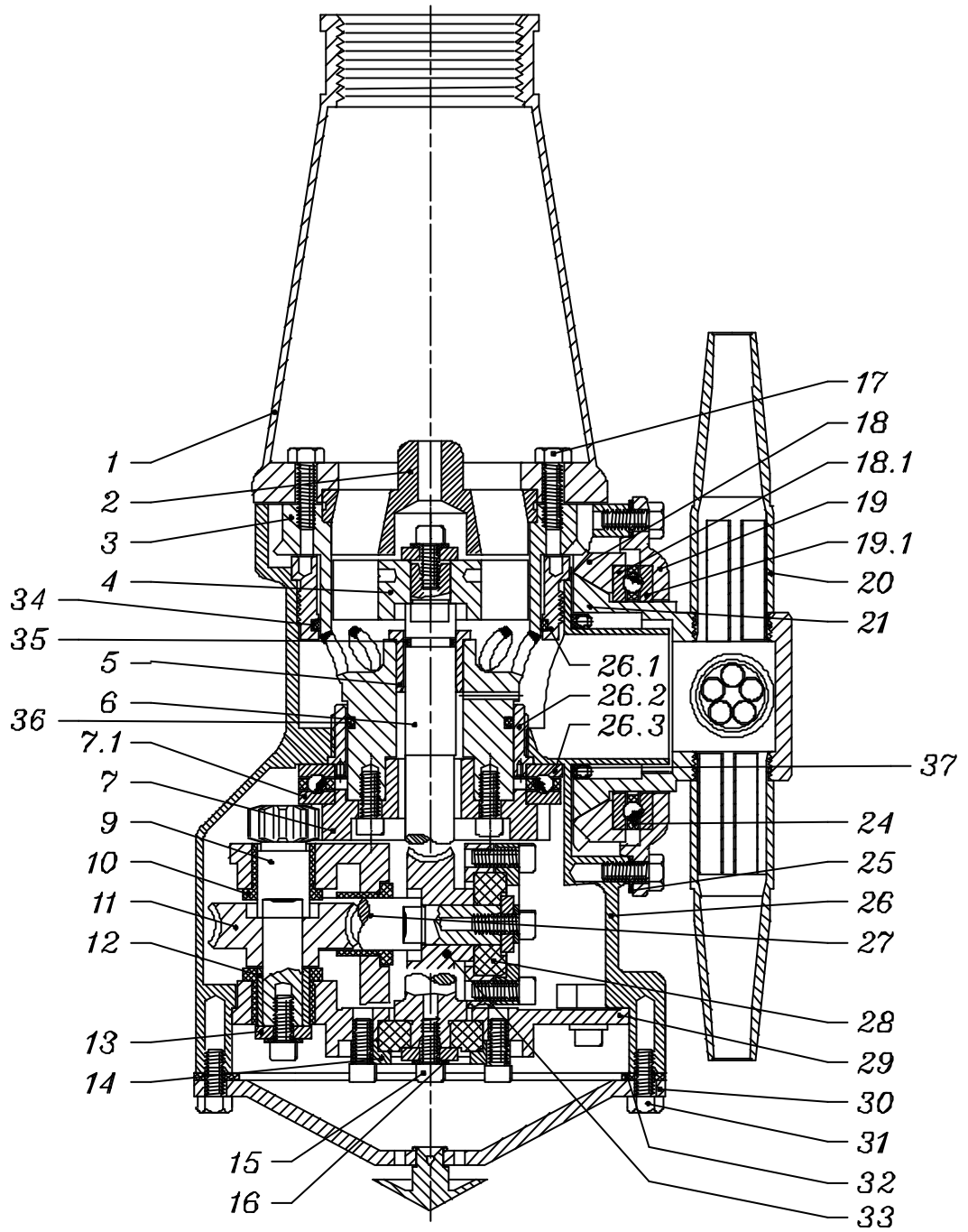


Cross sectional drawing, MultiJet 40



Reference List of Parts, Toftejorg MultiJet 40

Pos.	Ref. No.	No/Unit	Description	Material	Remarks
1	TE21D502	1	Top Cone 1½" BSP	AISI 316L	Spare part
	TE21D503	1	Top Cone 1½" NPT	AISI 316L	Spare part
2	TE703	1	Guide 100%	AISI 316L	Spare part
	TE803-0	1	Guide ring 0%	AISI 316L	Spare part
3	TE21D557	1	Stem	AISI 316L	Spare part
4	TE705	1	Impeller 100%	AISI 316L	Spare part
5	TE21A525	1	Main bush	PEEK	Wear part
6	TE21F503	1	Turbine shaft	AISI 316L	Wear part
7	TE712-13	1	Gear wheel w. ball race	AISI 316L	Spare part
7.1	TE826-1	1	Ball race	AISI 316L	Wear part
9	TE814	1	Pinion	AISI 316L	Spare part
10	TE21A585	3	Collar bush	PEEK	Wear part
11	TE21A367	1	Worm wheel w. reinforcem.	PEEK	Wear part
12	TE817	1	Journal	AISI 316L	Spare part
13	TE719A	4	Washer	AISI 316L	Spare part
14	TE731	2	Bearing cover	AISI 316L	Spare part
15	TE118	22	Screw	AISI 316	Spare part
16	TE156	8	Springwasher	AISI 316	Spare part
17	TE402H	6	Screw	AISI 316	Spare part
18	TE722S	1	Bevel gear w. ball race	AISI 316L	Spare part
18.1	TE826-1	1	Ball race	AISI 316L	Wear part
19	TE21D343	1	Hub cover w. ball race	AISI 316L	Spare part
19.1	TE826-1	1	Ball race	AISI 316L	Wear part
20	TE50A006	4	Nozzle ø6 mm	AISI 316L	Spare part
	TE50A007	4	Nozzle ø7 mm	AISI 316L	Spare part
	TE50A008	4	Nozzle ø8 mm	AISI 316L	Spare part
21	TE21C536	1	Hub	AISI 316L	Spare part
24	TE21A380	2	Ball retainer w. balls	Tefzel200/AISI316	Wear part
25	TE21D562	1	Hub gasket	Teflon TFM	Spare part
26	TE21D510	1	Body	AISI 316L	Not available
26.1	TE21D558	1	Main collar upper	PEEK	Wear part
26.2	TE21B521	1	Main collar lower	PEEK	Wear part
26.3	TE826-1	1	Ball race	AISI 316L	Wear part
27	TE828Z	1	Horizontal shaft	AISI 316L	Wear part
28	TE21A570	2	Slide bearing	PEEK	Wear part
29	TE730	1	Gear frame	AISI 316L	Spare part
30	TE21D351	1	Bottom cover, compl.	AISI 316L	Spare part
31	TE421H	10	Screw	AISI 316L	Spare part
32	TE21D563	1	Bottom gasket	Teflon TFM	Spare part
33	TE21A367	1	Worm wheel w. reinforcem.	PEEK	Wear part
34	TE807	1	O-ring	Viton	Wear part
35	TE810	1	O-ring	Viton	Wear part
36	TE825	1	O-ring	Viton	Wear part
37	TE21B549	1	Lip seal	ACO212CF	Wear part

Standard Spare Part Kit for Toftejorg MultiJet 40, Article No. TE21D299

Part No.	Description	No.
TE21A525	Main bush, PEEK	1 pcs.
TE21A585	Collar bush, PEEK	3 pcs.
TE21A570	Slide bearing, PEEK	2 pcs.
TE21A367	Worm wheel, PEEK	2 pcs.
TE807	O-ring	1 pcs.
TE810	O-ring	1 pcs.
TE825	O-ring	1 pcs.
TE21B549	Lip Seal	1 pcs.

Standard Tool kit for Toftejorg MultiJet 40, Article No. TE81B055

Tool No.	Description	No.
TE134	Hex Key for Screw	1
TE134A	Hex Screwdriver for Screw	2
TE462A	Socket wrench for Hex Screw	1