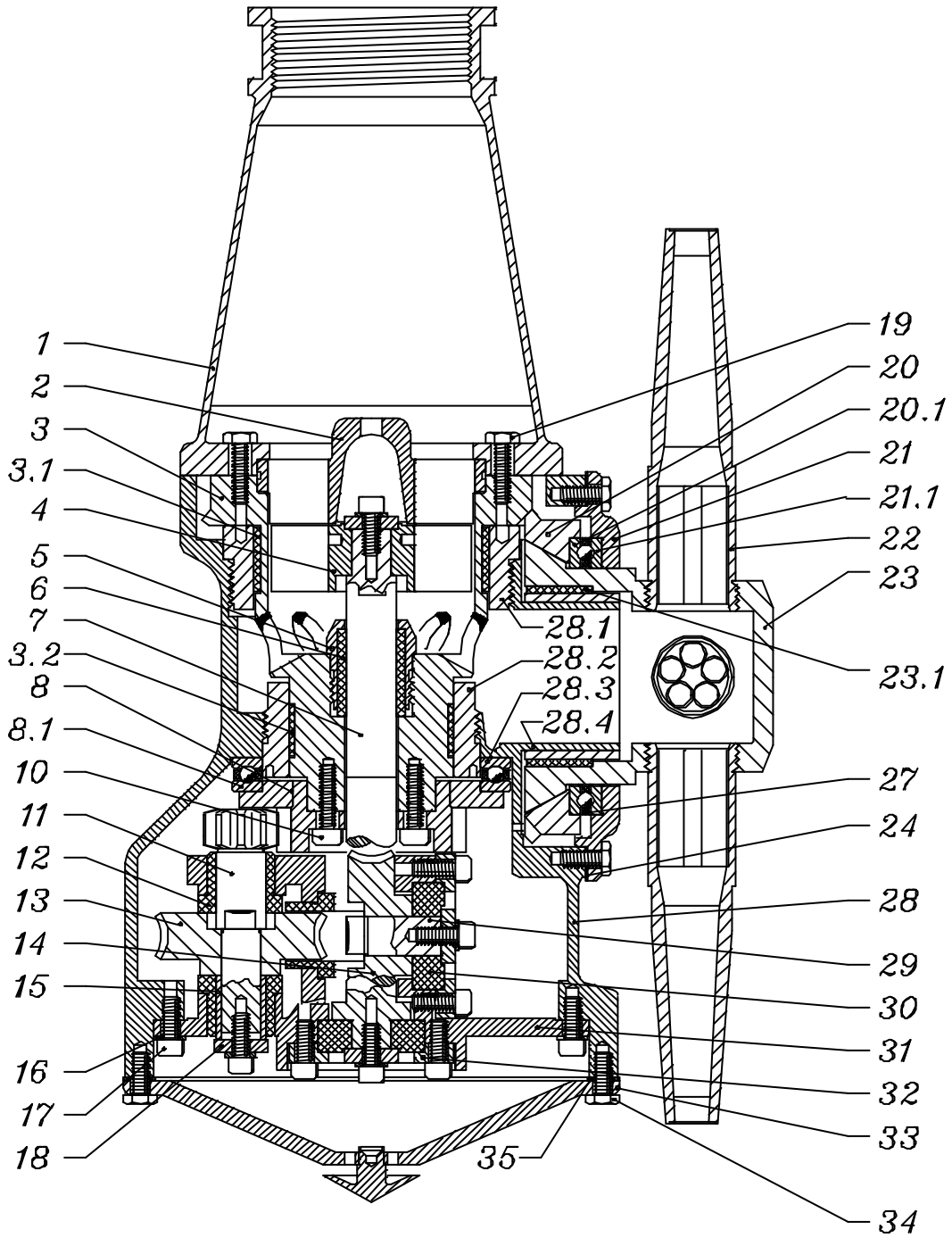


Cross Sectional Drawing, Toftejorg TZ-79



Reference List of Parts, Toftejorg TZ-79

Pos.	Ref. no.	No./ Unit	Description	Material	Remarks
1	TE22D500	1	Top cone 2" BSP	AISI 316L	Spare part
	TE22D501	1	Top cone 2" NPT	AISI 316L	Spare part
2	TE603	1	Guide 100%	AISI 316L	Spare part
	TE103-0	1	Guide ring 0%	AISI 316L	Spare part
3	TE604Z	1	Stem w. liners	AISI 316L/PTFE	Spare part
3.1	TE904-1	1	Top liner	PTFE	Wear part
3.2	TEB604-2	1	Bottom liner	PTFE	Wear part
4	TE605	1	Impeller 100%	AISI 316L	Spare part
5	TE608Z	1	Gland	AISI 316L	Spare part
6	TE609P	1	Main bush	PTFE	Wear part
	TE22B575	1	Main bush	PEEK	Wear part
7	TE911K	1	Turbine shaft	AISI 316L	Wear part
8	TE512-13	1	Gear wheel w. ball race	AISI 316L	Spare part
8.1	TE126-1	1	Ball race	AISI 316L	Wear part
10	TE120	6	Screw	AISI 316	Spare part
11	TE114	1	Pinion	AISI 316L	Spare part
12	TE615K	3	Collar bush	Carbon	Wear part
	TE22A585	3	Collar bush	PEEK	Wear part
13	TE22A360	1	Worm wheel w. reinforcem.	PVDF/AISI 316L	Wear part
	TE22A365	1	Worm wheel w. reinforcem.	PEEK	Wear part
14	TE22A360	1	Worm wheel w. reinforcem.	PVDF/AISI 316L	Wear part
	TE22A365	1	Worm wheel w. reinforcem.	PEEK	Wear part
15	TE117	1	Journal	AISI 316L	Spare part
16	TE156	9	Spring washer	AISI 316	Spare part
17	TE118	17	Screw	AISI 316	Spare part
18	TE619A	4	Washer	AISI 316L	Spare part
19	TE902H	8	Screw	AISI 316	Spare part
20	TE622S	1	Bevel gear w. ball race	AISI 316L	Spare part
20.1	TE126-1	1	Ball race	AISI 316L	Wear part
21	TE22D340	1	Hub cover w. ball race	AISI 316L	Spare part
21.1	TE126-1	1	Ball race	AISI 316L	Wear part
22	TE50B008	4	Nozzle, ø8	AISI 316L	Spare part
	TE50B009	4	Nozzle, ø9	AISI 316L	Spare part
	TE50B010	4	Nozzle, ø10	AISI 316L	Spare part
	TE50B011	2	Nozzle, ø11	AISI 316L	Spare part
22.1	TE50B000	2	Plug	AISI 316L	Spare part
23	TE624-4KZ	1	Hub w. liner	AISI 316L	Spare part
23.1	TE624-11	1	Hub liner	PTFE	Wear part
24	TE22D553	1	Hub gasket	Teflon, TFM	Spare part
27	TE126S	2	Ball retainer w. balls	Tefzel/AISI 316	Wear part
28	TE627Z	1	Body with bearings	AISI 316L	Not available
28.1	TE127Z1	1	Main collar upper	AISI 316L	Wear part
28.2	TE127Z2	1	Main collar lower	AISI 316L	Wear part
28.3	TE126-1	1	Ball race	AISI 316L	Wear part
28.4	TE127-3	1	Hub collar	AISI 316L	Wear part
29	TE128Z	1	Horizontal shaft	AISI 316L	Wear part
30	TE929K	2	Slide bearing	Carbon	Wear part
	TE22A570	2	Slide bearing	PEEK	Wear part
31	TE630R	1	Gear frame w. bushes	AISI 316L/Carbon	Spare part
32	TE531	2	Bearing cover	AISI 316L	Spare part
33	TE22D350	1	Bottom cover, compl.	AISI 316L	Spare part
34	TE421H	12	Screw	AISI 316	Spare part
35	TE22D554	1	Bottom gasket	Teflon, TFM	Spare part

Standard Spare Part Kit for Toftejorg TZ-79, Article No. TE22B299

Part No.	Description	No.
TE22A360	Worm wheel w. reinforcement, PVDF	2 pcs.
TE609P	Main bush	1 pcs.
TE615K	Collar bush	3 pcs.
TE929K	Slide bearing	2 pcs.

Optional Spare Part Kit for Toftejorg TZ-79 with PEEK Wear Parts, Article No. TE22B298

Part No.	Description	No.
TE22A365	Worm wheel w. reinforcement, PEEK	2 pcs.
TE22B575	Main bush, PEEK	1 pcs.
TE22A585	Collar bush, PEEK	3 pcs.
TE22A570	Slide bearing, PEEK	2 pcs.

Standard Tool kit for Toftejorg TZ-79, Article no. TE81B075

Tool No.	Description	No.
TE134	Unbraco key for screw	1 pcs.
TE134A	Unbraco screwdriver	1 pcs.
TE135	Unbraco key for screw	1 pcs.
TE135A	Unbraco screw driver	1 pcs.
TE462	Open-end spanner	1 pcs.
TE962A	Socket wrench w. pin	1 pcs.