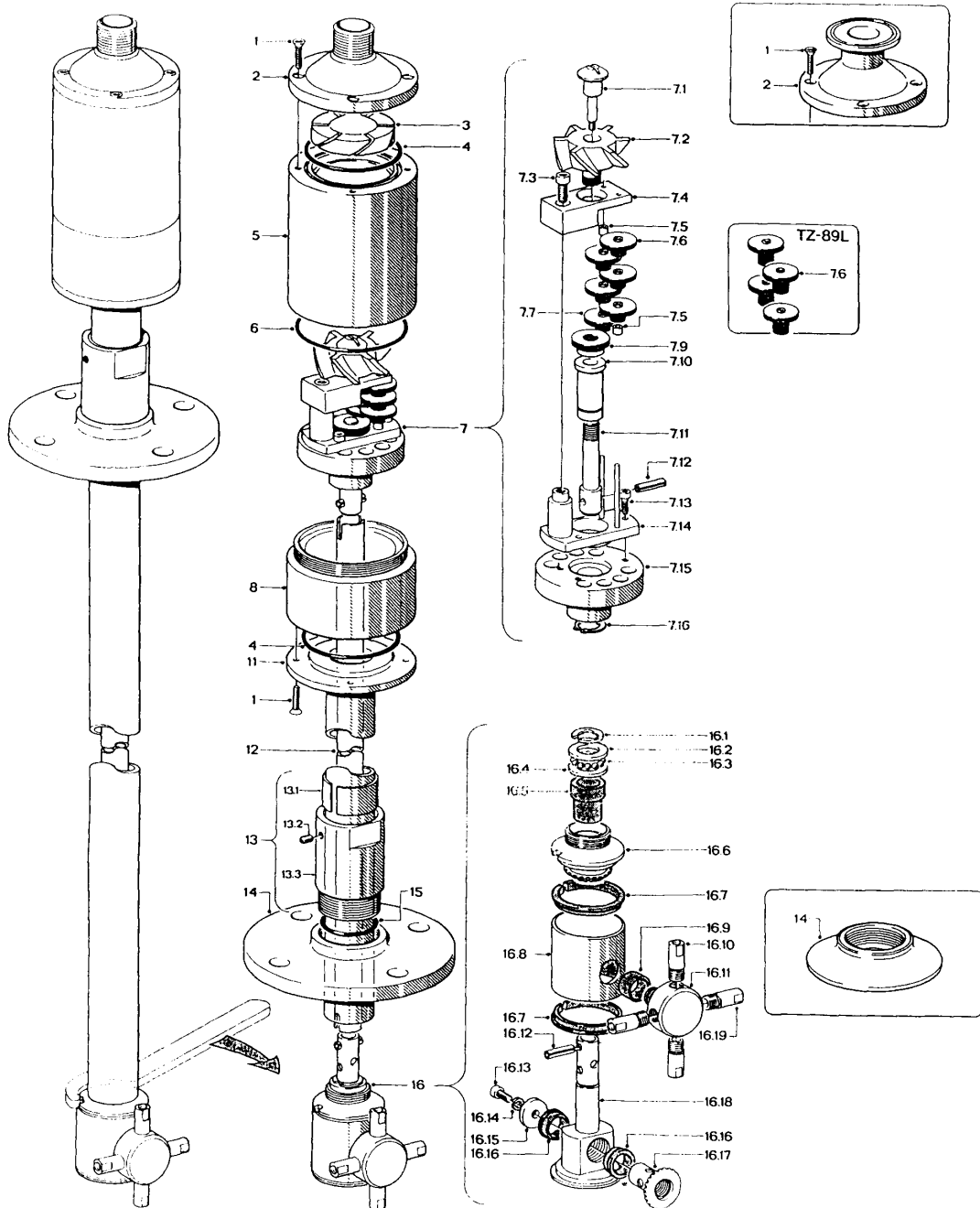


Exploded View Drawing, Toftejorg TZ-89



## Reference List of Parts, Toftejorg TZ-89

Pos.	Ref. No.	No/ Unit	Description	Remarks
1	TE51A050	4	Screw	Spare part
2	TE20A505	1	Connection nipple 3/4" BSP	Spare part
	TE20A506	1	Connection nipple 3/4" NPT	Spare part
	TE20A500	1	1" Clamp connection	Spare part
3	TE20A520	1	Guide	Spare part
	TE20A520-01	1	Guide, PEEK	Spare part
4	TE51T034	2	O-ring, FEP/Silicone	Spare part
5	TE20A510	1	Gear house	Spare part
6	TE51T036	1	O-ring, FEP/Silicone	Spare part
7	TE20A307	1	Gear unit complete	Spare part
7.1	TE20A530	1	Turbine shaft	Wear part
7.2	TE20A525	1	Turbine wheel	Wear part
	TE20A525-01	1	Turbine wheel, PEEK	Wear part
7.3	TE51A102	1	Screw	Spare part
7.4	TE20A535	1	Traverse	Spare part
7.5	TE20A555	2	Distance bush	Spare part
7.6	TE20A562	5	Gear wheel, PEEK 450G	Wear part
7.7	TE20A310	1	Gear wheel	Wear part
7.9	TE20A566	1	Traction wheel	Wear part
7.10	TE20A577	1	Bearing bush	Wear part
7.11	TE20A571	1	Drive shaft	Wear part
7.12	TE51C050	1	Tubular rivet	Wear part
7.13	TE51A101	3	Screw	Spare part
7.14	TE20A305	1	Gear frame	Wear part
7.15	TE20A580	1	Bearing plate	Spare part
7.16	TE51C200		See pos. 16.1	Wear part
8	TE20A515	1	Gear house lower part	Spare part
11	TE20A587/592	1	Centre tube	Spare part
12	TE20A581/586	1	Driver tube	Spare part
13	TE20A320	1	Flange guide	Spare part
13.1	TE20A602	1	Split bushing	Spare part
13.2	TE51A011	1	Pointed screw	Spare part
14	TE20A605	1	Flange	Spare part
	TE20A607	1	Flange	Spare part
	TE20A608	1	3" Clamp flange	Spare part
15	TE51T022	1	O-ring, FEP/Silicone	Spare part
16	TE20A300	1	Cleaner head complete	Spare part
16.1	TE51C200	2	Circlip	Wear part
16.2	TE20A616	1	Bearing washer, upper	Wear part
16.3	TE126-2	12	Ball	Wear part
16.4	TE20A617	1	Bearing washer, lower	Wear part
16.5	TE20A623	1	Bush for stator	Wear part
16.6	TE20A626	1	Stator	Spare part
16.7	TE20A630	2	Bush	Wear part
16.8	TE20A635	1	Sleeve	Spare part
16.9	TE20A622	1	Bush	Wear part
16.10	TE20A655	4	Nozzle	Spare part
16.11	TE20A650	1	Nozzle head	Spare part
16.12	TE51C050	1	Tubular rivet	Wear part
16.13	TE51A100	1	Screw	Wear part
16.14	TE156	1	Spring washer	Wear part
16.15	TE20A640	1	Washer	Wear part
16.16	TE20A621	2	Collar bush	Wear part
16.17	TE20A645	1	Rotor	Wear part
16.18	TE20A610	1	Shaft for Cleaner head	Wear part

**Spare Part Kit for Toftejorg TZ-89, Article No. TE20A299**

Pos. no.	Reference no.	No.	Description
4	TE51T034	2	O-ring, FEP/Silicone
6	TE51T036	1	O-ring, FEP/Silicone
15	TE51T022	1	O-ring, FEP/Silicone
7.6	TE20A562	5	Gear wheel, PEEK 450G
16.2	TE20A616	1	Bearing washer, upper
16.4	TE20A617	1	Bearing washer, lower

**Service Kit for Toftejorg TZ-89, Article No. TE20A285**

Pos. no.	Reference no.	No.	Description
16.3	TE126-2	12	Ball for Thrust bearing
7.6	TE20A562	5	Gear wheel
16.2	TE20A616	1	Bearing washer Upper
16.4	TE20A617	1	Bearing washer Lower
16.16	TE20A621	2	Collar bush
16.9	TE20A622	1	Bush
16.5	TE20A623	1	Bush for Stator
16.7	TE20A630	2	Bush
1	TE51A050	8	Screw
4	TE51T034	2	O-ring

**Tool Kit, Toftejorg TZ-89/TZ-89LF**

Reference no.	Description
TE81B039	Hook-spanner Spanner Hex key for Allen Screw