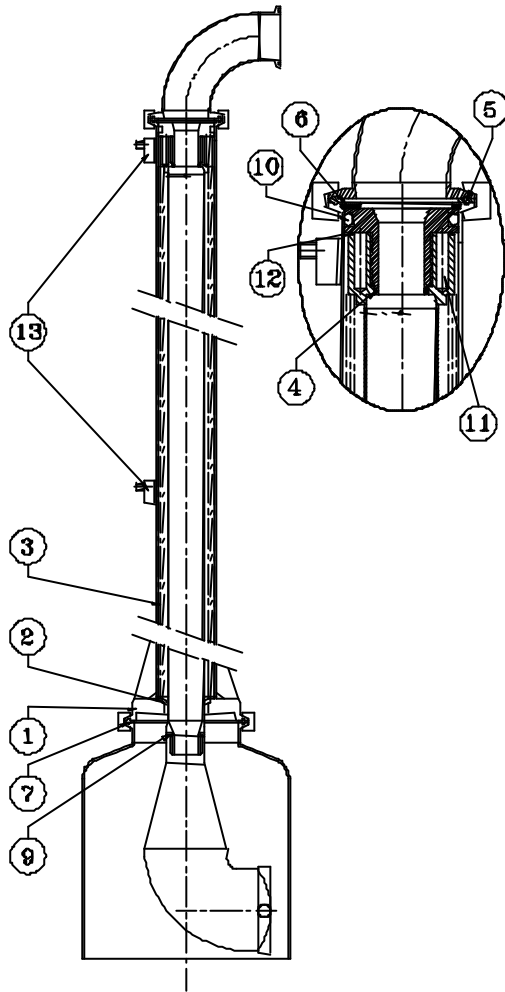


Cross sectional drawing, Retractable System for Toftejorg TJ20G



List of Parts, Retractable System for Toftejorg TJ 20G
--

Pos.	Ref. No.	No./Unit	Description	Material
1	TE-75G500	1	Retractor body (600)	316L
	TE-75G501	1	Retractor body (1000)	316L
	TE-75G502	1	Retractor body (1500)	316L
2	TE-75G503	1	Centering friction ring	316L
3	TE-75G504	1	Return spring (600)	316L
	TE-75G505	1	Return spring (1000)	316L
	TE-75G506	1	Return spring (1500)	316L
4	TE-75G507	1	Plug gasket	Viton
5	TE-75G508	1	Clamp seal	Viton
6	TE-75G509	1	Circlip	316L
7	TE-75G510	1	Tank seal	Viton
9	TE-52D561	1	Head seal	PTFE
10	TE-75G511	1	Piston seal	Viton
11	TE-75G512	6	Detection magnet	
12	TE-75G513	1	Box gasket	Viton
13	TE-75G514	2	Position detector + connector	